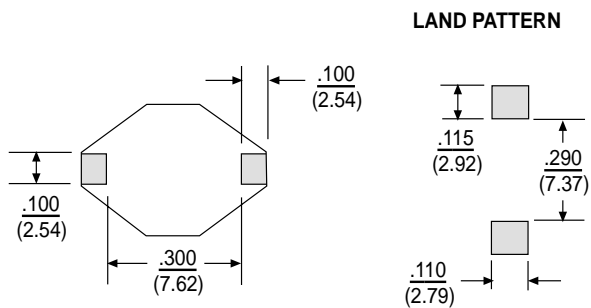
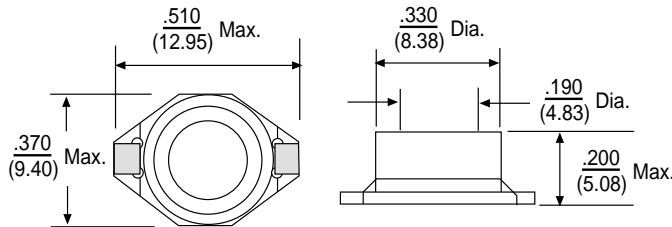


# RL-3316-S

## SMT POWER INDUCTORS



The RL-3316-S Series offers shielded surface mount power inductors in an extremely small flat top package. They have a footprint of .370" x .510" and are low cost with high energy storage. Designed to withstand solder flow, reflow and wave soldering applications. Available in 11 values with inductance ratings from 1.0 $\mu$ H to 47 $\mu$ H and currents up to 5.0 Amps



PART NUMBER	Inductance <sup>1</sup> ( $\mu$ H $\pm$ 20%)	DCR max. (Ohms)	DC SAT <sup>2</sup> (Amps)	Rated Current <sup>3</sup> (Amps)
RL-3316-S-1.0	1.0	.021	5.6	5.0
RL-3316-S-1.5	1.5	.022	5.2	4.5
RL-3316-S-2.2	2.2	.032	5.0	3.8
RL-3316-S-3.3	3.3	.039	3.9	3.3
RL-3316-S-4.7	4.7	.054	3.2	2.7
RL-3316-S-6.8	6.8	.075	2.8	2.2
RL-3316-S-10	10.0	.101	2.4	2.0
RL-3316-S-15	15.0	.150	2.0	1.5
RL-3316-S-22	22.0	.207	1.6	1.3
RL-3316-S-33	33.0	.334	1.4	1.1
RL-3316-S-47	47.0	.472	1.0	0.8

Packaged 1,000 parts per reel.

ALL DIMENSIONS IN INCHES (mm)

1. Tested at 100 kHz, 0.1 Vrms.
2. Inductance drop = 10% typ.
3.  $\Delta$ T = 15°C rise typ.

Operating temperature range -40°C to +85°C.



### RENCO ELECTRONICS, INC.

✉ 595 International Place, Rockledge, FL 32955-4200 USA

☎ (321) 637-1000 • Toll Free Engineering Hot line 800-645-5828

☎ Fax: (321) 637-1600 🌐 Web Site: www.rencousa.com 📧 E-mail: sales@rencousa.com