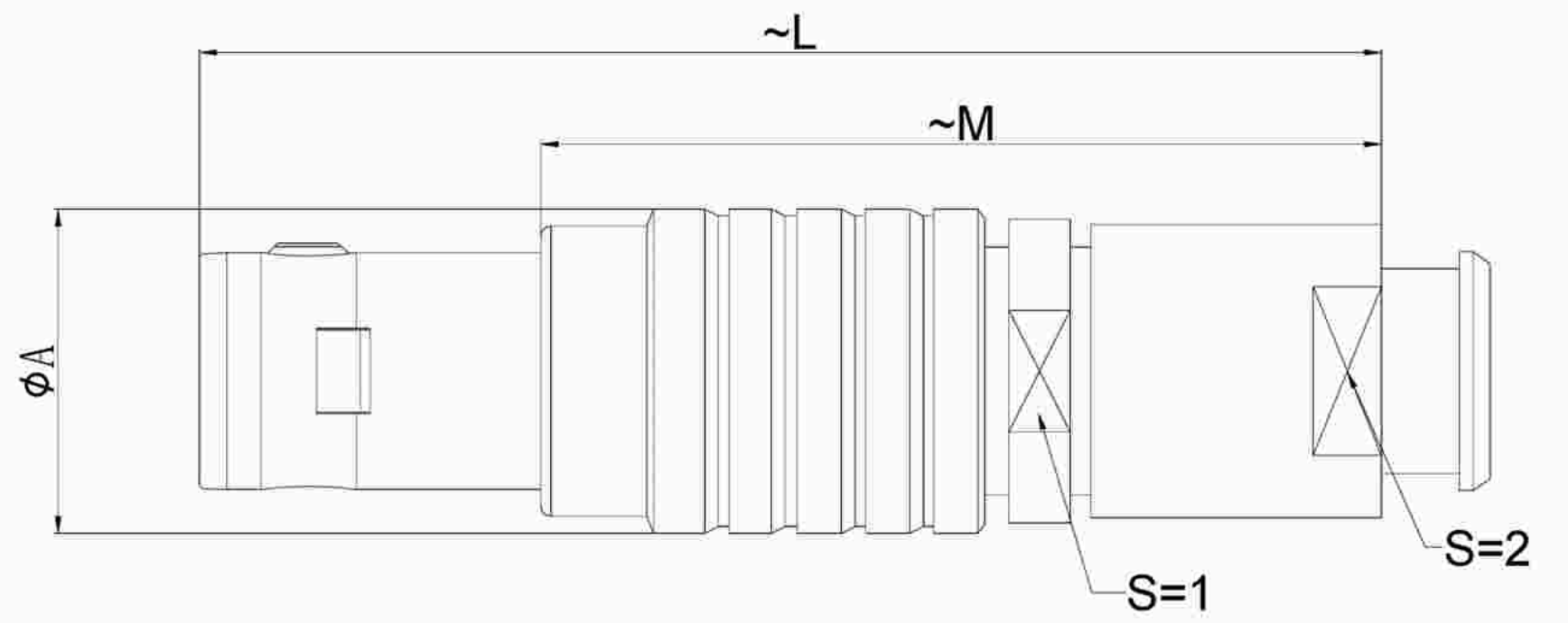


# 1.View and size(视图及尺寸)

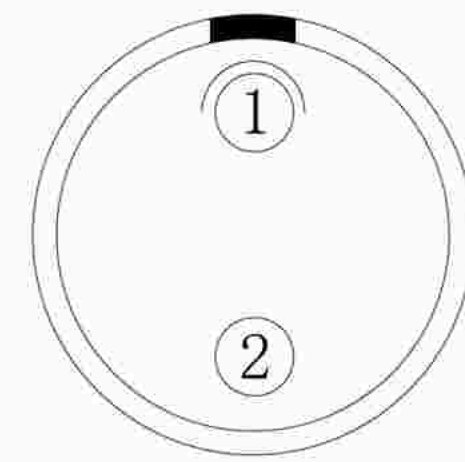
Main technical indicators(主要技术指标)	
1.Mating (插拔次数)	5000
2.Working Temperature (温度)	-55~+150 °C
3.IP Rating (防护级别)	IP 50
4.Diameter of socket end(插合端直径)	φ0.9
5.Testing Voltage (测试电压)	1300V
6.Working Voltage (工作电压)	1050V
7.Rated Current (额定电流)	10A
8.Shell material(壳体材质)	Brass (chromium plating) shell and chuck nut/( nickel plating) pin sleeve and middleware/黄铜(镀铬)外壳和夹头螺母/(镀镍)插销套和中间件
9.Pin Material(插针材料)	Copper alloy gold plating(铜合金镀金)
10.Insulator material(绝缘体材质)	L:PPS P:PEEK

Sum up(总结)	
Series(系列)	B
Shell style/model (外壳样式/型号)	TGG: Straight plug, cable collet and nut for fitting a bend relief直塞、电缆夹头和螺母, 用于安装弯曲凸起
Button (按键)	A button(一个按键)
Termination type (终止类型)	Male solder(公焊锡)
Line diameter awg(线材直径)	28AWG-20AWG
Cable diameterφ (电缆直径)	φ4.3-5.2MM
Matching parts(配件)	ZGG.0B.P02.CXL

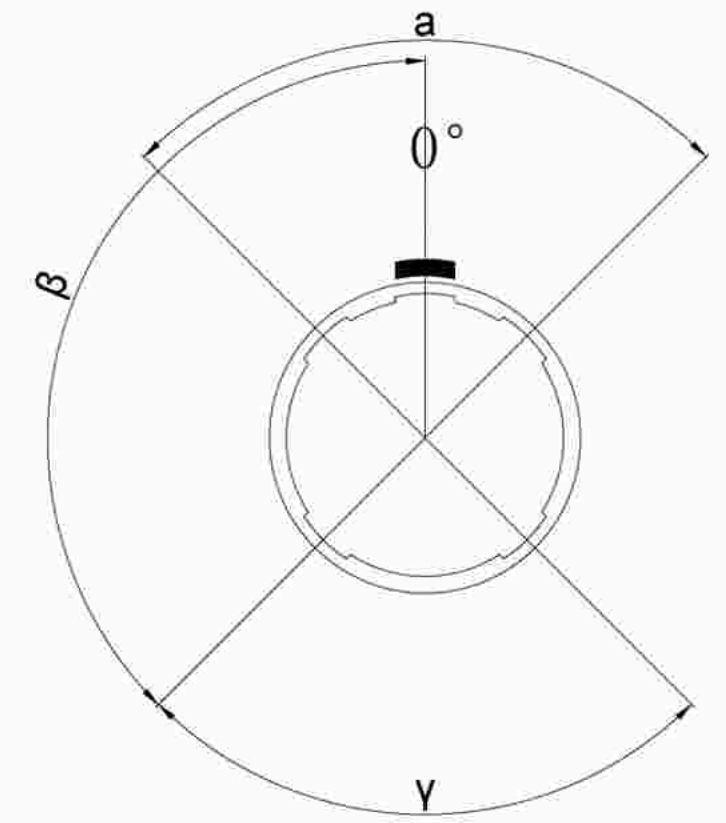
Location pin combination(定位销组合)					
(编号) Number	Number of positioning pins(定位销数量)	Angle(角度)	Series(系列)--0B		
G	One(1)		(Zero degrees)0°		
A	Two(2)	A	Thirty degrees(30°)		
B	Two(2)		Sixty degrees(60°)		
C	Two(2)		Ninety degrees(90°)		
D	Two(2)	β	135 degrees(135°)		
E	Two(2)		145 degrees(145°)		
F	Two(2)		155 degrees(155°)		
J	Two(2)	Y	Forty-five degrees(45°)		
K	Two(2)		Seventy degrees(70°)		
L	Two(2)		80 degrees(80°)		
	A	B	C√	ANGLE	
5-10	±0.02	±0.05	±0.1	0°-30°	±0.1°
50-100	±0.1	±0.15	±0.2	61°-90°	±0.5°
50-100	±0.15	±0.2	±0.25		
100-	±0.15%	±0.20%	±0.25%		



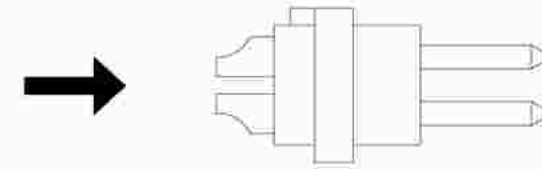
	A	L	M	S1	S2
MM	φ9.5	35	25	8.0	7
in	0.374	1.378	0.9843	0.315	0.2756



Welded surface (焊接面)



Positive view (正视图)



Solder core (焊接型公胶芯)

TG G. 0B. P02.C X A D 52 H

- Model(型号)
  - Positioning pin(定位销)
  - Series(系列)
  - Needle core configuration(针芯配置)
  - Outer casing(外壳)
  - Insulator(绝缘体)
  - Needle core(针芯)
  - Type of CXamp(线夹类型)
  - Cable diameter(电缆直径)
- SH means a sheath type, not a cover type.  
(H表示护套型, 不表示为不带护套型)

DESIGNED(设计)  
广东星坤科技股份有限公司  
CHECKED(校对)

APPROVED(审核)  
日期

REVISIONS

文件工程章

www.helloxkb.com www.helloxkb.cn

DATE(日期)

SCALE(比例)

VIEW(视图)

UNIT(单位)

MATERIAL (材料)

N/A(不适用)

MM

KKB INDUSTRIAL PRECISION CO.,LIMITED

MODEL TYPE  
型号类型: TGG.0B.P02.CXAD52H

PART NO. 0B2-core plug  
名称: 0B2芯插头

DWG NO.:

WEIGHT(重量) SHEET(表) REVISION(修订)  
1/1 A0