

PLEASE CHECK WWW.MOLEX.COM FOR LATEST PART INFORMATION

Part Number: [0553391208](#)
Status: **Active**
Overview: [slimstack_mm016_pitch](#)
Description: 0.40mm (.016") Pitch Board-to-Board SlimStack™ Plug, Surface Mount, Dual Row, Vertical Stacking, 4.00mm (.157") Stacking Height, 120 Circuits

Documents:

[3D Model](#) [Product Specification PS-54477-008 \(PDF\)](#)
[Drawing \(PDF\)](#) [RoHS Certificate of Compliance \(PDF\)](#)

General

Product Family	PCB Headers
Series	55339
Application	Board-to-Board
Overview	slimstack_mm016_pitch
Product Name	SlimStack™

Physical

Breakaway	No
Circuits (Loaded)	120
Circuits (maximum)	120
Color - Resin	Brown
First Mate / Last Break	No
Glow-Wire Compliant	No
Guide to Mating Part	No
Keying to Mating Part	None
Lock to Mating Part	Yes
Mated Height (in)	0.157 In
Mated Height (mm)	4.00 mm
Material - Metal	Phosphor Bronze
Material - Plating Mating	Gold
Material - Plating Termination	Gold
Material - Resin	High Temperature Thermoplastic
Number of Rows	2
Orientation	Vertical
PCB Locator	Yes
PCB Retention	None
Packaging Type	Embossed Tape on Reel
Pitch - Mating Interface (in)	0.016 In
Pitch - Mating Interface (mm)	0.40 mm
Plating min: Mating (µin)	10
Plating min: Mating (µm)	0.25
Plating min: Termination (µin)	2
Plating min: Termination (µm)	0.05
Shrouded	Fully
Stackable	No
Temperature Range - Operating	-25°C to +105°C
Termination Interface: Style	Surface Mount

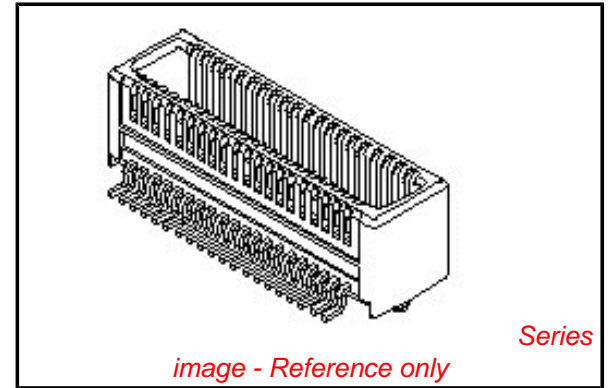
Electrical

Current - Maximum per Contact	0.3A
Voltage - Maximum	30V

Material Info

Reference - Drawing Numbers

Packaging Specification	SPK-55339-001
-------------------------	---------------



EU RoHS

ELV and RoHS Compliant

REACH SVHC

Not Reviewed

Halogen-Free

Status

Halogen-Free

Need more information on product environmental compliance?

Email productcompliance@molex.com
 For a multiple part number RoHS Certificate of Compliance, [click here](#)

Please visit the [Contact Us](#) section for any non-product compliance questions.

China RoHS



Search Parts in this Series

[55339Series](#)

Mates With

[54477 Board-to-Board SlimStack™ Receptacle](#)

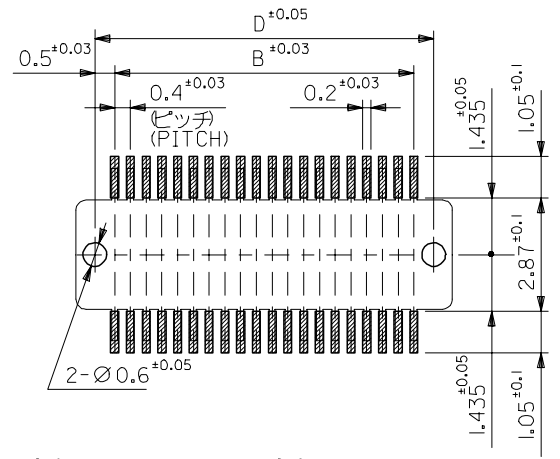
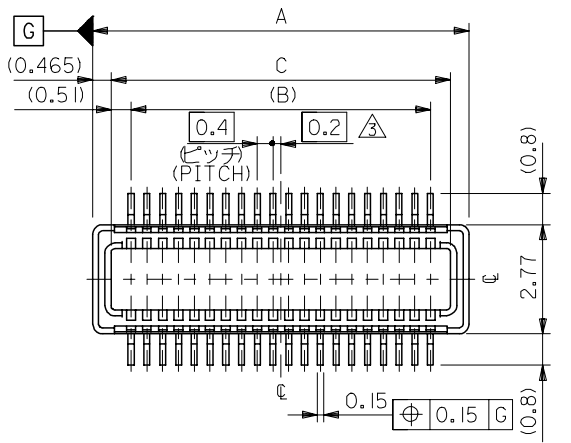
Product Specification

Sales Drawing

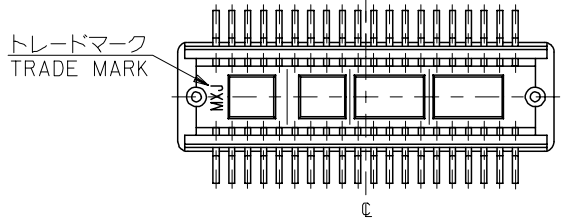
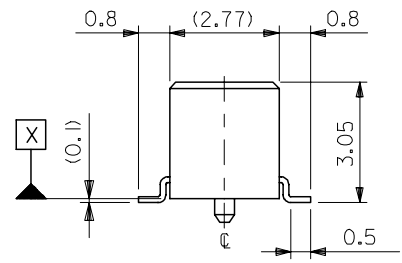
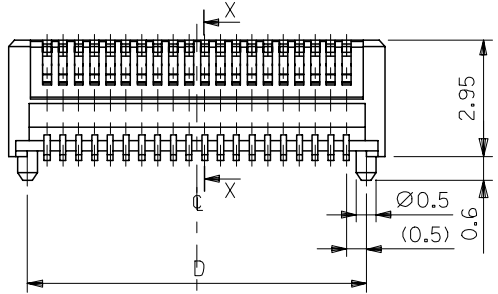
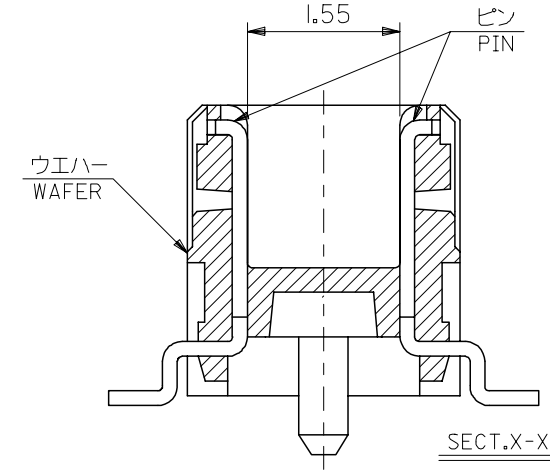
PS-54477-008, RPS-54477-018, RPS-54477-019,
RPS-54684-008
SD-55339-003, SD-55339-004

This document was generated on 05/27/2010

PLEASE CHECK WWW.MOLEX.COM FOR LATEST PART INFORMATION



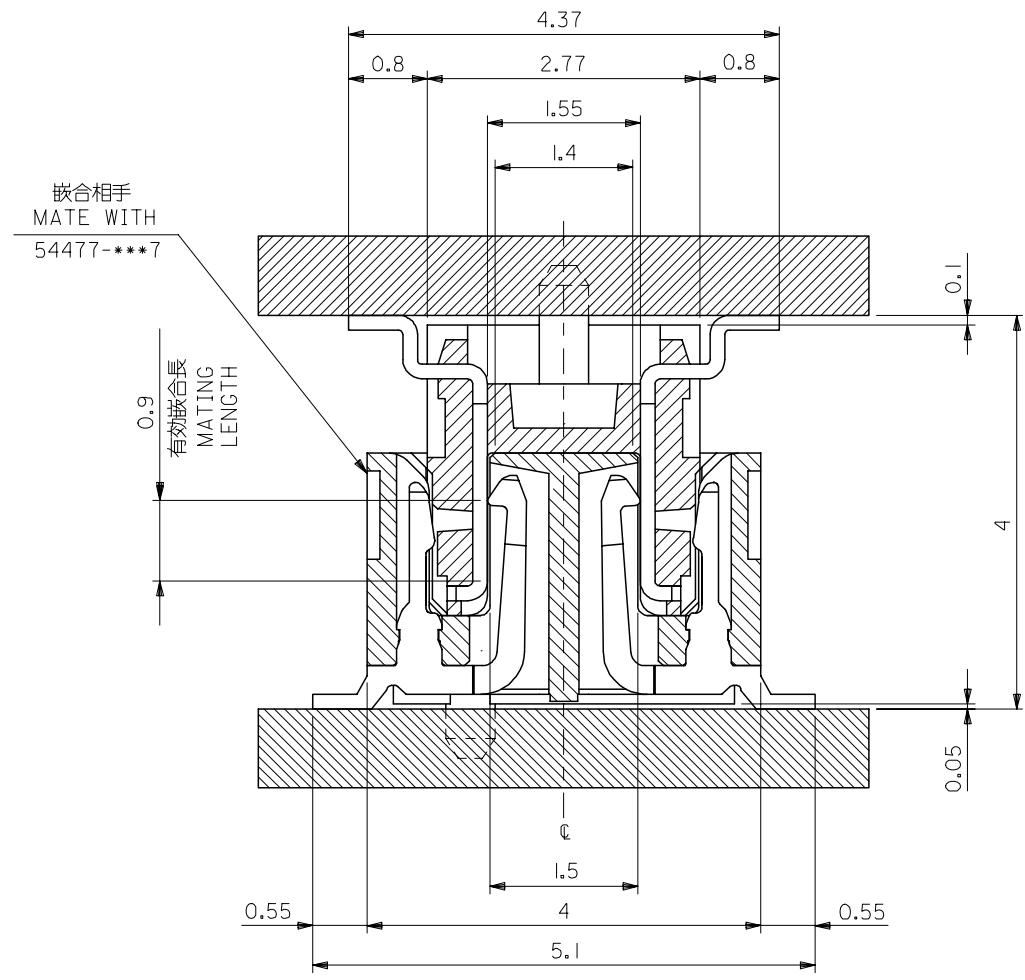
参考基板レイアウト (マウント面)
RECOMMENDED P.C.BOARD
PATTERN DIMENSION (REF.)
(MOUNTING AREA)



24.6	24.62	23.6	25.55	55339-1207	120
18.6	18.62	17.6	19.55	55339-0907	90
16.6	16.62	15.6	17.55	55339-0807	80
12.6	12.62	11.6	13.55	55339-0607	60
D	C	B	A	MATERIAL NO.	CIRCUIT

MODEL NO. 55339-***7

REVISED EC NO: J2005-3657 DRW:KASAKI 2005/08/19 CHK:D:HIRATA 2005/08/19 APPR:HIRATA 2005/08/24	GENERAL TOLERANCES (UNLESS SPECIFIED)		DIMENSION STYLE	SCALE	DESIGN UNITS	THIRD ANGLE PROJECTION
			MM ONLY	---	METRIC	
	10 UNDER	±0.2	DRAWN BY	DATE	TITLE	
	10 OVER 30 UNDER	±0.25	M. HAYASHI	1998/08/28	0.4 MM B-TO-B CONN PLUG ASSY (HGT=4MM)	
	30 OVER	±0.3	CHECKED BY	DATE	MOLEX INCORPORATED	
ANGULAR	±3 °	T. ITO	2000/10/23	MATERIAL NO.		
DRAFT WHERE APPLICABLE MUST REMAIN WITHIN DIMENSIONS		APPROVED BY	DATE	DOCUMENT NO.		
		M. FUKUSHIMA	2000/10/23	SD-55339-003		
		SEE CHART		SHEET NO.		
		SIZE A3		1 OF 2		
THIS DRAWING CONTAINS INFORMATION THAT IS PROPRIETARY TO MOLEX INCORPORATED AND SHOULD NOT BE USED WITHOUT WRITTEN PERMISSION						



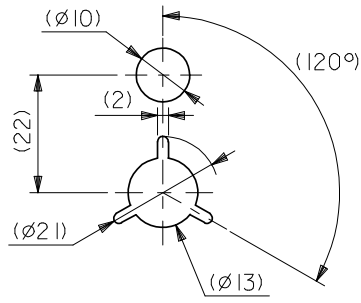
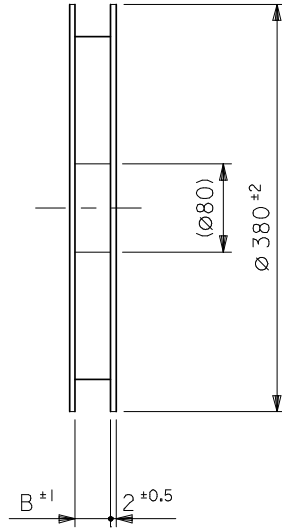
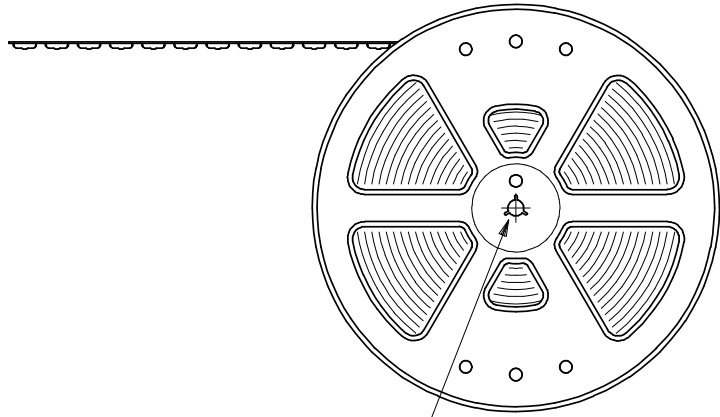
注記 NOTES:

1. 使用材料 MATERIAL
 ウエハー: 液晶ポリマー ガラス充填 UL94V-0 茶色
 WAFER: LIQUID CRYSTAL POLYMER
 GLASS FILLED UL94V-0
 COLOR BROWN
 ピン: リン青銅 (t=0.15)
 PIN: PHOSPHOR BRONZE (t=0.15)
2. メッキ仕様 PLATING
 金メッキ 0.25 マイクロメートル以上 (コンタクト部)
 GOLD 0.25MICROMETER MINIMUM (CONTACT AREA)
 金メッキ 0.4 マイクロメートル以下 (テール部)
 GOLD 0.4MICROMETER MAXIMUM (TAIL AREA)
 下地メッキ: ニッケルメッキ 1.5 マイクロメートル以上
 UNDER PLATING: NICKEL 1.5MICROMETER MINIMUM
3. (全極数/2) = 偶数の場合に適用。
 APPLY FOR (CIRCUIT/2) = EVEN.
4. 嵌合相手: 54477 シリズ
 MATE WITH: 54477 SERIES.
5. テール平坦度は、0.08MAX.
 TAIL COPLANARITY TO BE 0.08MAX.
 又、テール半田付け面の位置はウエハーの底面 [X] に対し
 上方向に0、下方向に0.15MAX.とする。
 MISALIGNMENT OF SOLDER TAILS FROM [X]
 : UPPER DIRECTION 0
 : LOWER DIRECTION 0.15 MAX.

嵌合断面図(参考)
MATED DRAWING (REF.)

REVISED EC NO: J2005-3657 DRW: KASAKI 2005/08/19 CHK: D. THIRATA 2005/08/19 APPR: THIRATA 2005/08/24	GENERAL TOLERANCES (UNLESS SPECIFIED)		DIMENSION STYLE MM ONLY		SCALE ---	DESIGN UNITS METRIC	THIRD ANGLE PROJECTION	
	10 UNDER	±0.2	DRAWN BY M. HAYASHI	DATE 1998/08/28	TITLE 0.4 MM B-TO-B CONN PLUG ASSY (HGT=4MM)			
	10 OVER 30 UNDER	±0.25	CHECKED BY T. ITO	DATE 2000/10/23	MOLEX INCORPORATED			
	30 OVER	±0.3	APPROVED BY M. FUKUSHIMA	DATE 2000/10/23	DOCUMENT NO. SD-55339-003		SHEET NO. 2 OF 2	
	ANGULAR	±3 °	MATERIAL NO. SEE CHART					
DRAFT WHERE APPLICABLE MUST REMAIN WITHIN DIMENSIONS		SIZE A3		THIS DRAWING CONTAINS INFORMATION THAT IS PROPRIETARY TO MOLEX INCORPORATED AND SHOULD NOT BE USED WITHOUT WRITTEN PERMISSION				

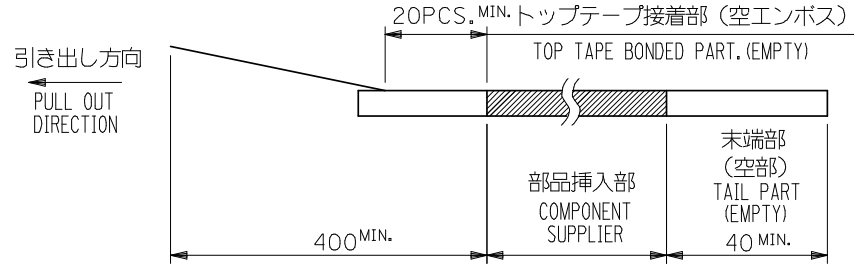
引き出し方向
PULL OUT
DIRECTION



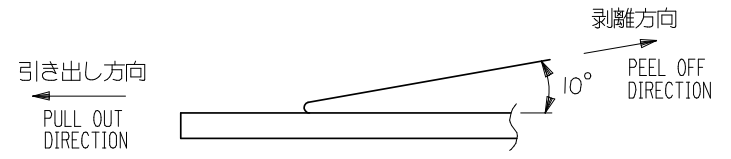
DETAIL "F"

NOTES

- 製品詳細寸法については図面 SD-55339-003 を参照下さい。
RE DETAILED DIMENSION, SEE SD-55339-003
- 梱包数量：1500個/リール
NUMBER OF CONNECTORS：1500PCS/REEL
- リードテープ長さ LEAD TAPE LENGTH



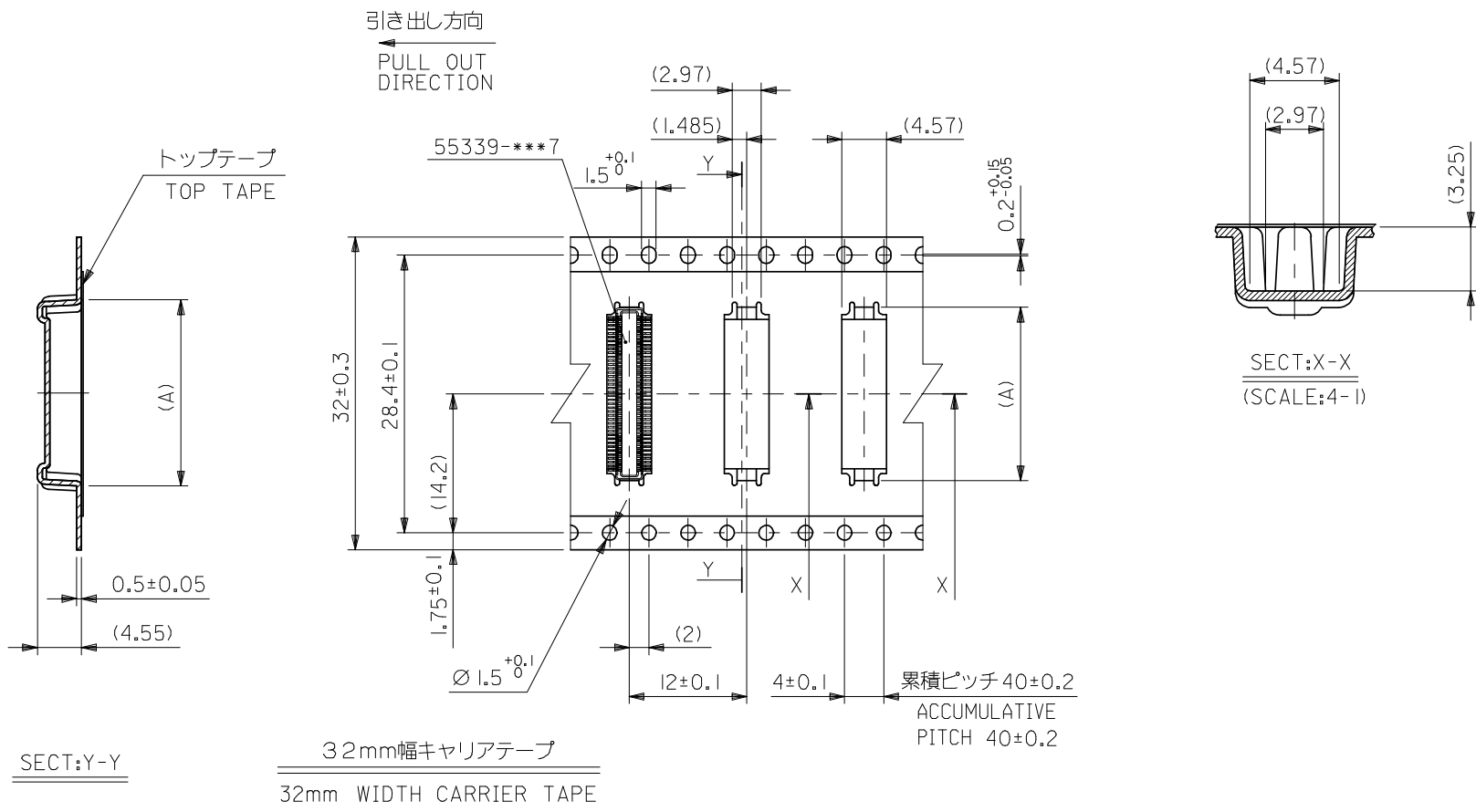
- トップテープの剥離強度：0.1N ~ 0.7N(10.2gf ~ 71.4gf)
(剥離方向は下図参照)
尚、本規格値は出荷時に適用。(但し、輸送時に剥離が発生しないこと。)
PEELING OFF FORCE OF TOP TAPE：0.1N ~ 0.7N(10.2gf ~ 71.4gf)
(PEELING DIRECTION AS SHOWN IN FOLLOWING FIG.)
THIS REQUIREMENT SHOULD BE APPLIED AT SHIPMENT.
PEEL OFF SHOULD NOT BE ALLOWED, DURING TRANSPORTATION.



- 材料(MATERIAL)
キャリアテープ(CARRIER TAPE)：ポリプロピレン(POLYPROPYLENE)
トップテープ(TOPTAPE)：PET, PE, PEF
リール(REEL)：ポリスチレン(P.S) <リサイクル材を含む>
POLYSTYREN(PS) <RECYCLE MATERIAL CONTAINED>

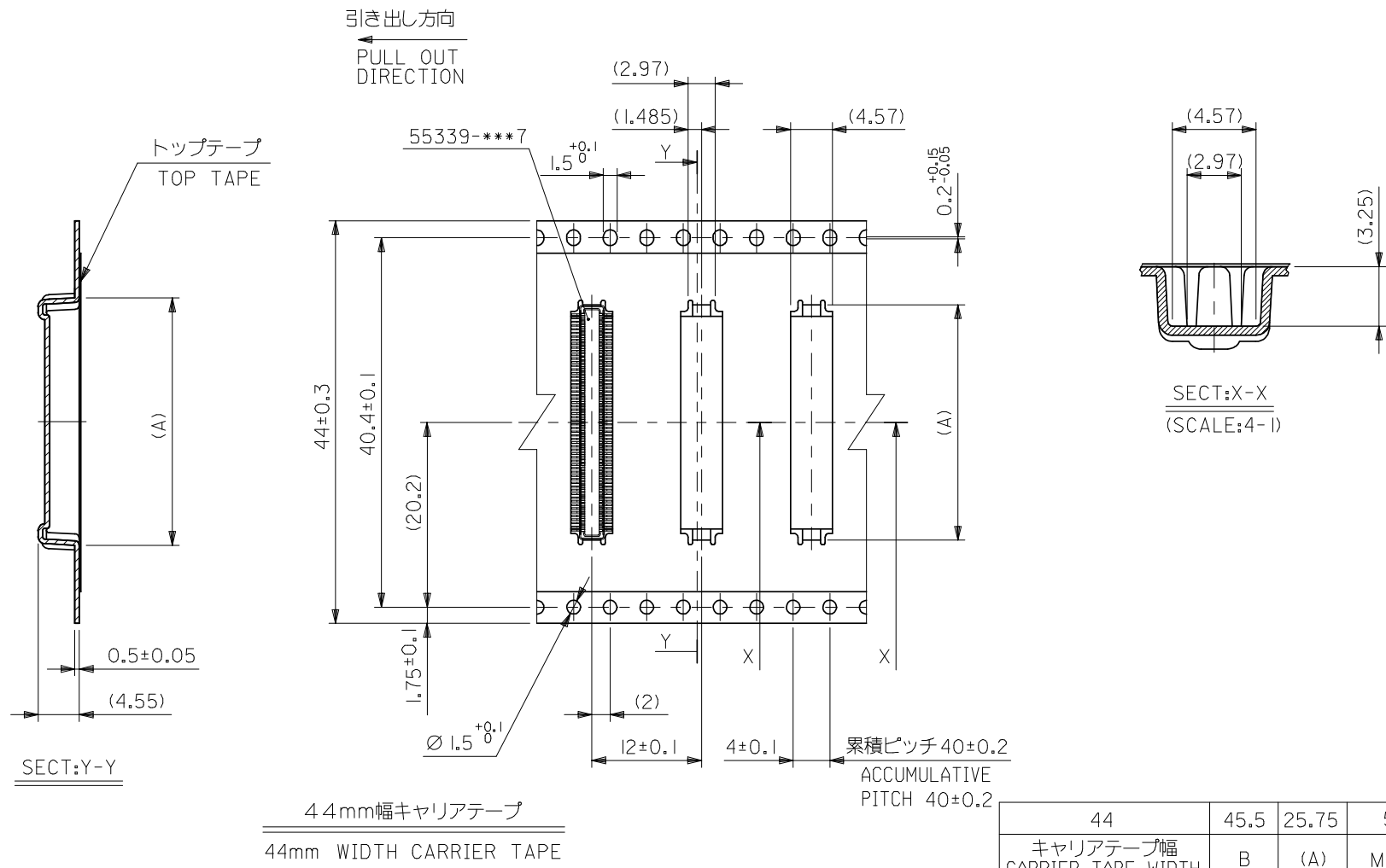
MODEL NO. 55339-***8

REVISED EC NO: J2008-3743 DRW:K INOSHITA 2008/05/12 CHK:D T. HARUYAMA 2008/05/13 APPR: NUKITA 2008/06/26	GENERAL TOLERANCES (UNLESS SPECIFIED)		DIMENSION STYLE MM ONLY		SCALE ---	DESIGN UNITS METRIC	THIRD ANGLE PROJECTION	
	10 UNDER	± 0.2	DRAWN BY M. HAYASHI	DATE 1998/08/28	TITLE 0.4 BTB CONN PLUG ASSY HGT=4 EMBSTP PKG			
	10 OVER 30 UNDER	± 0.25	CHECKED BY T. ITO	DATE 2001/02/21				
	30 OVER	± 0.3	APPROVED BY M. FUKUSHIMA	DATE 2001/02/21	MOLEX INCORPORATED			
	ANGULAR	± 3 °	MATERIAL NO.					
D	DRAFT WHERE APPLICABLE MUST REMAIN WITHIN DIMENSIONS		SIZE A3	THIS DRAWING CONTAINS INFORMATION THAT IS PROPRIETARY TO MOLEX INCORPORATED AND SHOULD NOT BE USED WITHOUT WRITTEN PERMISSION				



32	33.5	17.75	55339-0808	80
		13.75	55339-0608	60
キャリアテープ幅 CARRIER TAPE WIDTH	B	(A)	MATERIAL NO.	極数 CKT.
MODEL NO.	55339-***8			

REVISED EC NO: J2008-3743 DRW:K INOSHITA 2008/05/12 CH:K D: T HARUYAMA 2008/05/13 APPR: NUKITA 2008/06/26	GENERAL TOLERANCES (UNLESS SPECIFIED)		DIMENSION STYLE	SCALE	DESIGN UNITS	THIRD ANGLE PROJECTION
			MM ONLY	---	METRIC	
	10 UNDER	±0.2	DRAWN BY	DATE	TITLE	
	10 OVER 30 UNDER	±0.25	M. HAYASHI	1998/08/28	0.4 BTB CONN PLUG ASSY HGT=4 EMBSTP PKG	
	30 OVER	±0.3	CHECKED BY	DATE	MATERIAL NO.	
ANGULAR	±3 °	T. ITO	2001/02/21	SD-55339-004		
DRAFT WHERE APPLICABLE MUST REMAIN WITHIN DIMENSIONS		APPROVED BY	DATE	DOCUMENT NO.		SHEET NO.
		M. FUKUSHIMA	2001/02/21	SEE TABLE		2 OF 3
		SIZE		THIS DRAWING CONTAINS INFORMATION THAT IS PROPRIETARY TO MOLEX INCORPORATED AND SHOULD NOT BE USED WITHOUT WRITTEN PERMISSION		
		A3				



44	45.5	25.75	55339-1208	120
キャリアテープ幅 CARRIER TAPE WIDTH	B	(A)	MATERIAL NO.	極数 CKT.
MODEL NO.	55339-***8			

REVISED EC NO: J2008-3743 DRW:K INOSHITA 2008/05/12 CH:K: T. HARUYAMA 2008/05/13 APPR: NUKITA 2008/06/26 REV D	GENERAL TOLERANCES (UNLESS SPECIFIED)		DIMENSION STYLE MM ONLY		SCALE ---	DESIGN UNITS METRIC	THIRD ANGLE PROJECTION	
	10 UNDER	±0.2	DRAWN BY M. HAYASHI	DATE 1998/08/28	TITLE 0.4 BTB CONN PLUG ASSY HGT=4 EMBSTP PKG			
	10 OVER 30 UNDER	±0.25	CHECKED BY T. ITO	DATE 2001/02/21				
	30 OVER	±0.3	APPROVED BY M. FUKUSHIMA	DATE 2001/02/21	MOLEX INCORPORATED			
	ANGULAR	±3 °	MATERIAL NO.	DOCUMENT NO.				
DRAFT WHERE APPLICABLE MUST REMAIN WITHIN DIMENSIONS			SEE TABLE		SD-55339-004		3 OF 3	
THIS DRAWING CONTAINS INFORMATION THAT IS PROPRIETARY TO MOLEX INCORPORATED AND SHOULD NOT BE USED WITHOUT WRITTEN PERMISSION								