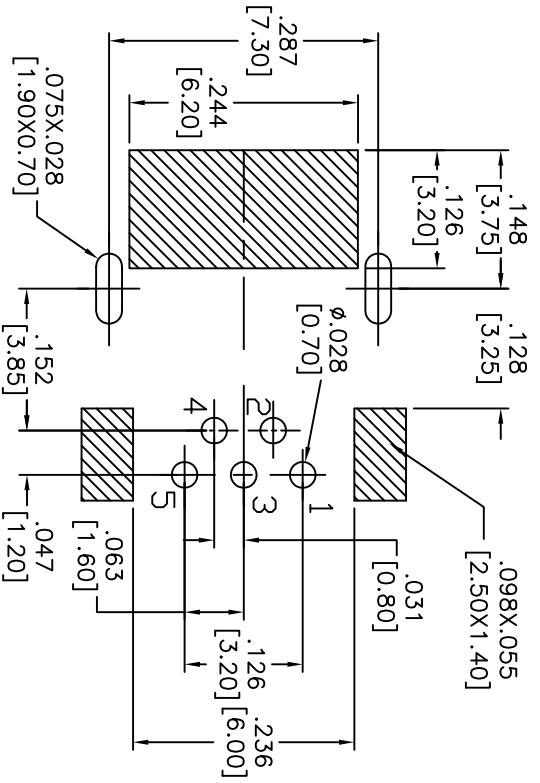
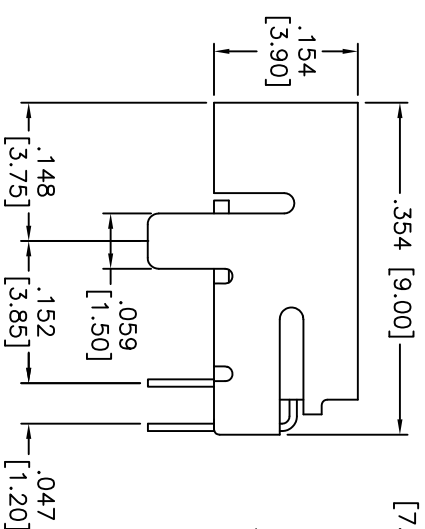
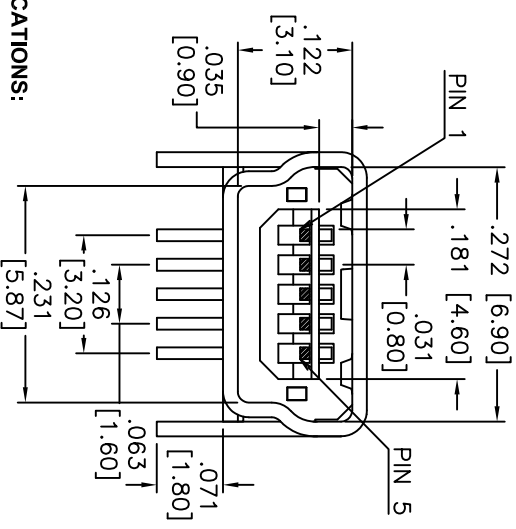
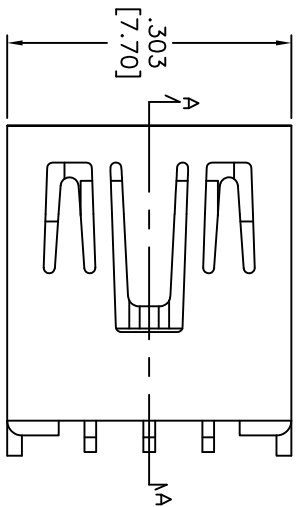


Rev	AWO #	Description	Date	Appr
-		RELEASED	7/26/10	

APPROVED: \_\_\_\_\_  
 DATE: \_\_\_\_\_ TITLE: \_\_\_\_\_



RECOMMENDED PCB LAYOUT

**SPECIFICATIONS:**

**Material:**  
 Insulator: Thermoplastic, glass reinforced, rated UL 94V-0

**Insulator color:** Black  
**Contacts:** Brass

**Plating:**  
 Gold Flash over Nickel underplate on contact area,  
 Tin over Copper underplate on PCB tails

**Electrical:**  
 Operating voltage: 30 VAC max  
 Current rating: 1 Amps max  
 Contact resistance: 50 Mohms max  
 Insulation resistance: 100 Mohms min  
 Dielectric withstanding voltage: 100 VAC for 1 minute

**Temperature Rating:**  
 Operating temperature: -20°C to +60°C  
 Environmental:  
 Lead free, RoHS compliant.  
 Recommended soldering temp: 235°C for 5 sec.



UNLESS OTHERWISE SPECIFIED ALL DIMENSIONS ARE INCHES [MM]	
TOLERANCES: EXCEPT AS NOTED	
INCHES	HOLES
.X ± .10	Ø.X ± .10
.XX ± .020	Ø.XXX ± .015
.XXX ± .015	Ø.XXX ± .010
APPROVALS	DATE
DRAWN	DY
CHECKED	
APPROVED	

**ADAM TECH**  
 909 Ratway Avenue, Union, NJ 07083  
 Phone: 908-687-5000 Fax: 908-687-5710

TITLE: MINI USB, TYPE B, 5PIN, RIGHT ANGLE  
 PCB MOUNT

SIZE	PART NO.	REV.
X	MUSB-B5-S-RA-2	
REF:	S00095T	SCALE: NTS
		SHEET 1 OF 1