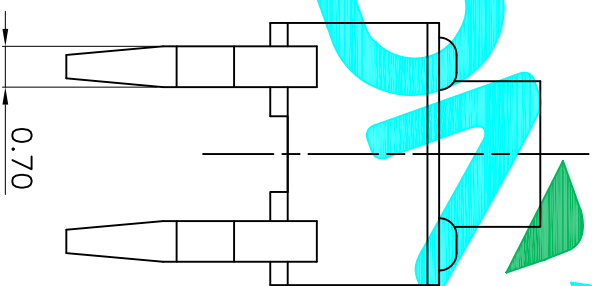
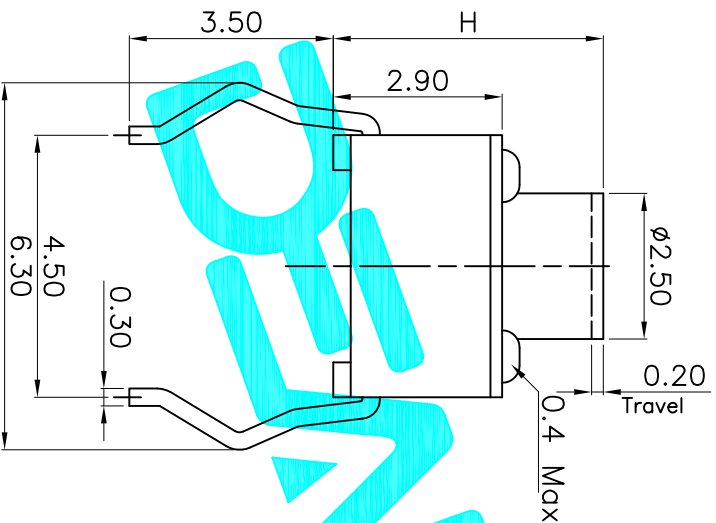


Circuit diagram

PCB Layout(Pattern Side)



NO.1	
PART NO	H
XX	3.8
XX	4.3
XX	4.8
XX	5
XX	5.5
XX	6
XX	6.5
XX	7
XX	7.5
XX	8
XX	8.5
XX	9

NO.2	
PART NO	vigor
070	70±30
100	100±50
160	160±50
250	250±50
320	320±80
350	350±80
520	520±130

⑤	Terminal	4	Brass(0.30t)	Plating silver
④	Contact	1	F.Ag/SUS	
③	Base	1	PA46	Black
②	Cover	1	SUS	
①	Keystoke	1	PA46	Black
ITEM	PART NAME	QTY.	MATERIAL	FINISHING

APPROVALS		DATE
DRAWN	G.M Chen	2013/2/1
CHECKED		

DEALON
ELECTRONICS CO.,LTD

ECN NO.	REV	DATE	DESCRIPTION	CHANGE	CHECK.	APPRO.
	A		NEW			

APPROVALS		TITLE:	PART NO.	SCALE:	PROJ.
DRAWN	G.M Chen	TACT SWITCHS	TC-1150DR-XXH-XXX	1:1	
CHECKED					
TOLERANCES ARE		DRAWING NO.			SHEET 1 OF 1
30~0.1t	±0.30				
10~0.30	±0.20				
5~1.0	±0.15				
~5	±0.10				