


Features

- Size: 8 mm diameter, 8 mm length
- Axial leaded device
- High voltage range up to 6 kV
- High insulation resistance
- RoHS compliant*
-  UL Recognized

Applications

- Industrial equipment/electronics
- Telecommunications electronics
- Consumer electronics

2095 Series High Voltage 2-Electrode Gas Discharge Tube

Characteristics

Test Methods per ITU-T (CCITT) K.12 and IEC 61643-311.

| Characteristic | Model No. | | | | |
|-----------------------------------|-----------|----------|----------|----------|----------|
| | 2095-80 | 2095-100 | 2095-140 | 2095-160 | 2095-200 |
| DC Sparkover $\pm 20\%$ @ 100 V/s | 800 V | 1000 V | 1400 V | 1600 V | 2000 V |
| Impulse Sparkover | | | | | |
| 100 V/ μ s | < 1100 V | < 1300 V | < 2100 V | < 2300 V | < 2700 V |
| 1000 V/ μ s | < 1200 V | < 1400 V | < 2200 V | < 2400 V | < 2800 V |

| Characteristic | Model No. | | | | |
|-----------------------------------|-----------|----------|----------|----------|----------|
| | 2095-250 | 2095-270 | 2095-300 | 2095-350 | 2095-400 |
| DC Sparkover $\pm 20\%$ @ 100 V/s | 2500 V | 2700 V | 3000 V | 3500 V | 4000 V |
| Impulse Sparkover | | | | | |
| 100 V/ μ s | < 3500 V | < 3600 V | < 4100 V | < 4900 V | < 5300 V |
| 1000 V/ μ s | < 3600 V | < 3800 V | < 4200 V | < 5000 V | < 5500 V |

| Characteristic | Model No. | | |
|-----------------------------------|-----------|----------|----------|
| | 2095-450 | 2095-500 | 2095-600 |
| DC Sparkover $\pm 20\%$ @ 100 V/s | 4500 V | 5000 V | 6000 V |
| Impulse Sparkover | | | |
| 100 V/ μ s | < 5800 V | < 6000 V | < 7000 V |
| 1000 V/ μ s | < 6000 V | < 6400 V | < 7800 V |

| | | |
|---|--------------------------------|-------------------------------|
| Insulation Resistance (IR) ¹ | 250/500/1000 Vdc..... | > 1 G Ω |
| Glow Voltage | 10 mA..... | ~ 60 V |
| Arc Voltage | 1 A..... | ~ 15 V |
| Capacitance..... | 1 MHz | < 1.5 pF |
| Impulse Discharge Current | | |
| 2095-80 through 2095-250 | 8,000 A, 8/20 μ s..... | 1 operation |
| 2095-270 through 2095-600 | 5,000 A, 8/20 μ s..... | 10 operations |
| 2095-270 through 2095-600 | 5,000 A, 8/20 μ s..... | 1 operation |
| 2095-270 through 2095-600 | 3,000 A, 8/20 μ s..... | 10 operations |
| Alternating Discharge Current | | |
| 2095-80 through 2095-250 | 2 Arms, 50 Hz, 1 second..... | 1 operation min. |
| 2095-80 through 2095-250 | 10 Arms, 50 Hz, 9 cycles | 1 operation min. |
| 2095-270 through 2095-300 | 3 Arms, 50 Hz, 1 second..... | 1 operation min. |
| 2095-270 through 2095-300 | 5 Arms, 50 Hz, 9 cycles | 1 operation min. |
| 2095-350 through 2095-600 | 2.5 Arms, 50 Hz, 1 second..... | 1 operation min. |
| 2095-350 through 2095-600 | 5 Arms, 50 Hz, 9 cycles | 1 operation min. |
| Impulse Life | 100 A, 10/1000 μ s..... | > 100 operations ² |
| Operating Temperature..... | | -30 to +85 °C |
| Storage Temperature..... | | -40 to +115 °C |
| Climatic Category (IEC 60068-1)..... | | 40 / 90 / 21 |

Notes:

- UL Recognized component: UL File E135337.
- At delivery AQL 0.65 Level II, DIN ISO 2859.

| | | |
|---------|---------------------|-----------------------------|
| Note 1: | <u>DC Breakdown</u> | <u>IR Measuring Voltage</u> |
| | 800-1000 V..... | 250 V |
| | 1400-2000 V..... | 500 V |
| | 2500-6000 V..... | 1000 V |

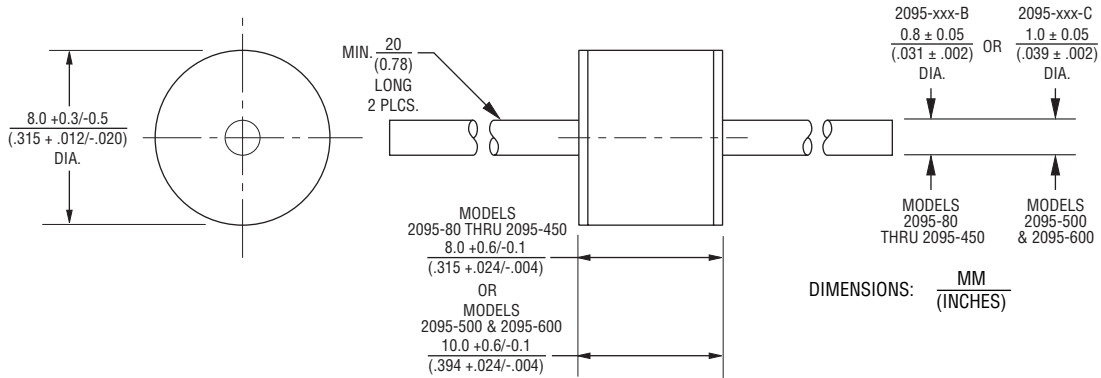
Note 2: Model 2095-270 and 2095-300 meet >300 operations at 100 A, 10/1000 μ s.

*RoHS Directive 2002/95/EC Jan. 27, 2003 including annex and RoHS Recast 2011/65/EU June 8, 2011.
 Specifications are subject to change without notice.
 Customers should verify actual device performance in their specific applications.

2095 Series High Voltage 2-Electrode Gas Discharge Tube

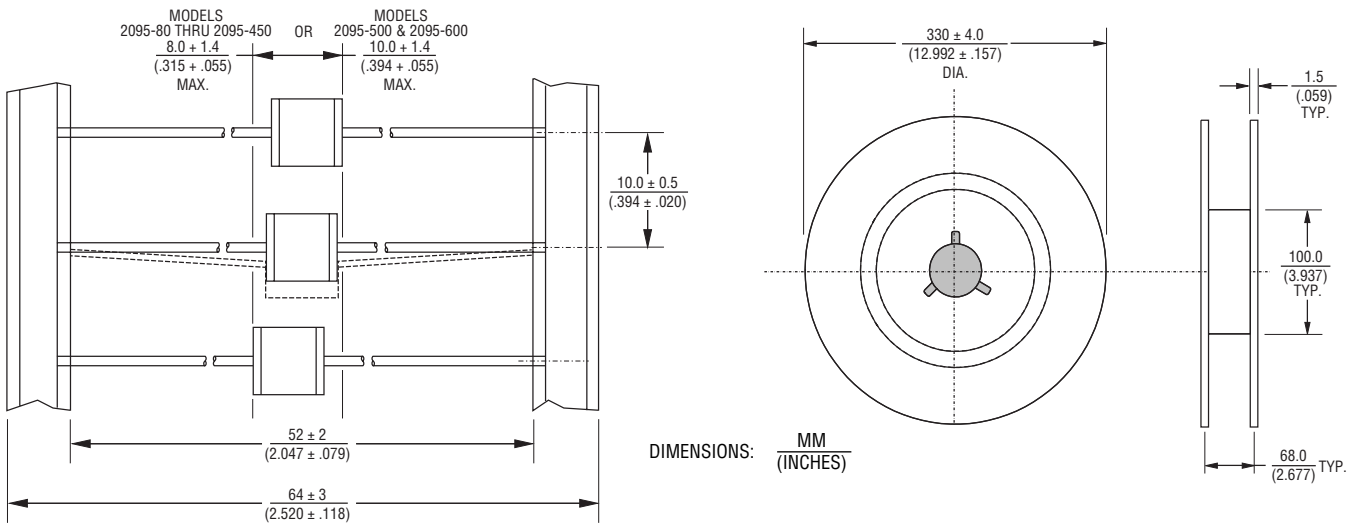
BOURNS®

Product Dimensions



Packaging Specifications

Model 2095 ships standard bulk, 100 pcs. per tray; 5 trays per box (500 units). The optional reelpack (-BT1) contains 500 pcs. per reel; 2 reels per box (1K units).



How to Order

2095 - xxx - B T1 LF

Model Number Designator _____

Voltage (Divided by 10) _____

| | | |
|--------------|--------------|--------------|
| 80 = 800 V | 250 = 2500 V | 450 = 4500 V |
| 100 = 1000 V | 270 = 2700 V | 500 = 5000 V |
| 140 = 1400 V | 300 = 3000 V | 600 = 6000 V |
| 160 = 1600 V | 350 = 3500 V | |
| 200 = 2000 V | 400 = 4000 V | |

Leads _____

B = 0.8 mm (Available only for Models 2095-80 thru 2095-450)
 C = 1.0 mm (Available only for Models 2095-500 & 2095-600)

Packaging _____

(Blank) = Bulk Packaging (Standard)
 T1 = Reelpack (Optional)

RoHS Compliancy _____

LF = RoHS Compliant Product

BOURNS®

Asia-Pacific: Tel: +886-2 2562-4117 • Fax: +886-2 2562-4116

Europe: Tel: +41-41 768 5555 • Fax: +41-41 768 5510

The Americas: Tel: +1-951 781-5500 • Fax: +1-951 781-5700

www.bourns.com

REV. A 06/12

Specifications are subject to change without notice.
 Customers should verify actual device performance in their specific applications.