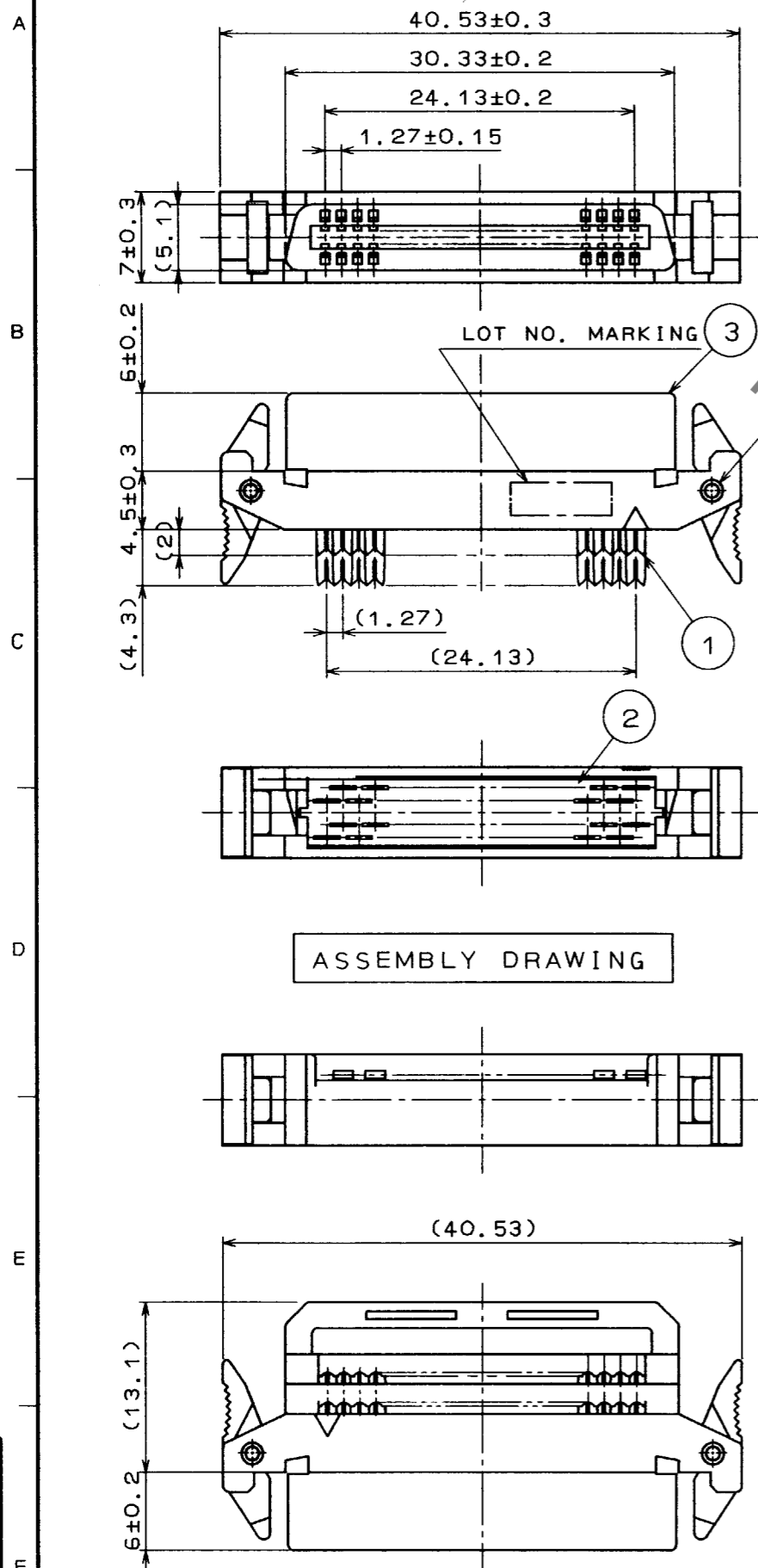
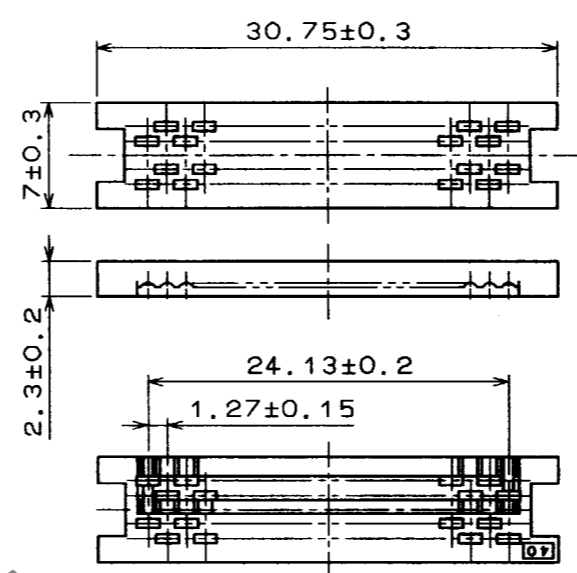


Sep.1.2021 Copyright 2021 HIROSE ELECTRIC CO., LTD. All Rights Reserved.
In case of consideration for using Automotive equipment / device which demand high reliability, kindly contact our sales window correspondents.

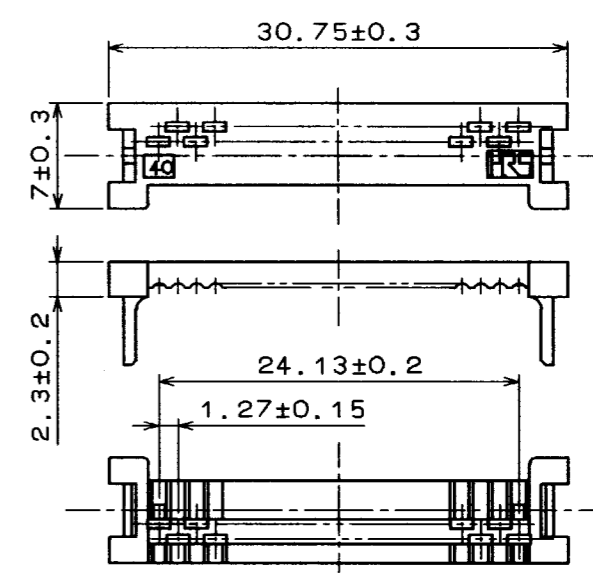
COUNT	DESCRIPTION OF REVISIONS	BY	CHKD	DATE	COUNT	DESCRIPTION OF REVISIONS	BY	CHKD	DATE



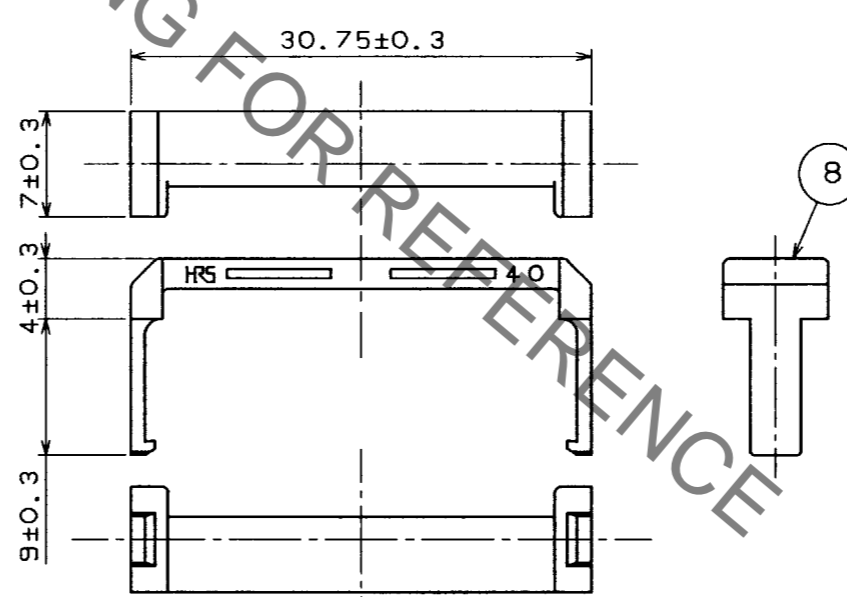
PROTECTOR (A)



PROTECTOR (B)



CABLE CLAMP



ASSEMBLY DRAWING



NOTE

- 1 NO.1~6 ARE ATTACHED PARTS.
- 2 CONTACT AREA : GOLD FLASH OVER NICKEL
HARNESS AREA : NICKEL PLATED

4	PBT	BLACK UL94V-0	8	POLYAMIDE	BLACK UL94V-0
3	PBT	BLACK UL94V-0	7	PBT	BLACK UL94V-0
2	PBT	BLACK UL94V-0	6	PBT	BLACK UL94V-0
1	PHOSPHOR BRONZE	2	5	SUS	
NO.	MATERIAL	FINISH, REMARKS	NO.	MATERIAL	FINISH, REMARKS

CODE NO. (OLD)	DRAWN	DESIGNED	CHECKED	APPROVED	RELEASED
	J. Takada	Takachin	H. Obara	M. Yamaguchi	
	97.5.9	97.5.9	97.05.09	97.05.09	

SCALE 2 : 1	DRAWING NO. EDC3-150612	PART NO. FX2B-40SA-1.27R
UNITS mm	HRS HIROSE ELECTRIC CO., LTD.	CODE NO. CL572-0623-8
		1/1

TO
PCM