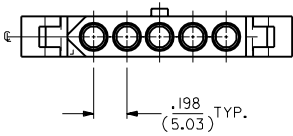
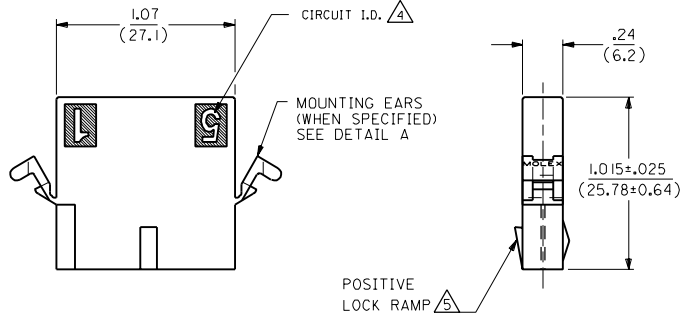
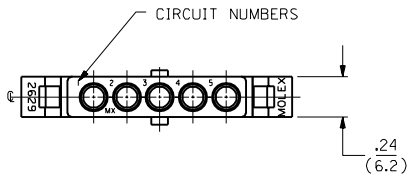
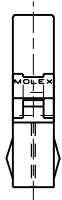


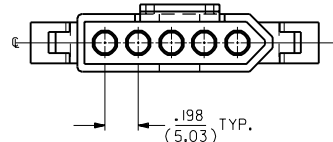
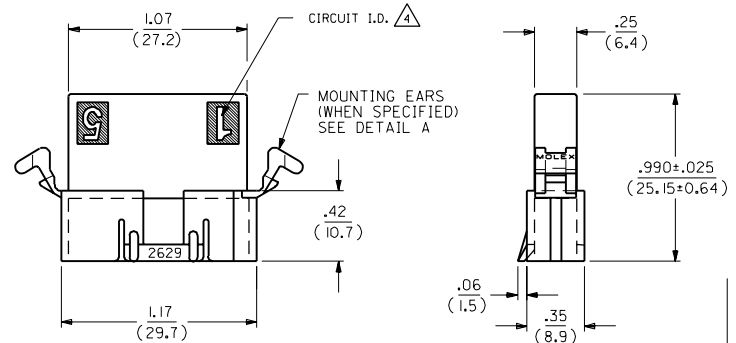
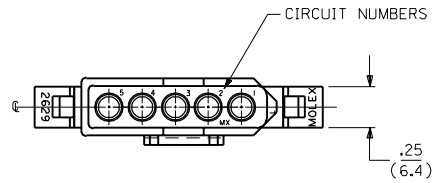
RECEPTACLE



VIEW OF RECEPTACLE VERSION
WITH PASSIVE LOCK RAMPS



PLUG



J	REVISED PER ECN # U61508 05/31/96 CM
I	X-REMOVE -R2 ECN # U6 1080 3-6-96 RW
K	ADD PASSIVE LOCKS ECN # U5 0529 11-30-94 RW
J	ADD -P2 W/EDP # ECR U3 0450 GC 4/1/93 RW
I	X-REMOVE ECR U2 1105 GC 1/29/92 RW
HI	ADD -C MAT'L PER ECR U2 0741 GC 5/7/92 RW
H	REVISE PER ECR U1 2237 GC 1/9/92 RW
G	REVISED & REDRAWN ECR # UB1801 KBW 02-03-89 RW

DIMENSIONS SHOWN METRIC (INCH)		UNLESS OTHERWISE SPECIFIED TOLERANCES: ANGULAR ± DMS		TITLE	
INCH	METRIC	.093/(2.36) HOUSINGS PLUG & RECEPTACLE			
3 PLACE ± .010	---	5 CIRCUIT ± .198/(5.03)C			
2 PLACE ± .014	± 0.25	MOLEX INCORPORATED			
1 PLACE ---	± 0.35	L15LEJLL 60532 U.S.A.			
DRAFT WHERE APPLICABLE MUST REMAIN WITHIN DIMENSIONS		PART NO.		SHEET NO. DATE	
		SEE CHART		1 OF 2 2/3/89	
DRWG. BY: KBW		CHKD. BY: RW		DIV. SD-2629-	
APP'D. BY: RAS		SCALE: 2:		SIZE: CP	

PLUG		RECEPTACLE	
ORDER NO	ENG NO	ORDER NO	ENG NO
03-09-2057	2629-P1	03-09-1057	2629-R1
PRELIMINARY	2629-P	PRELIMINARY	2629-R
		03-09-1054	2629-R2

LEGEND:

2629-****-*

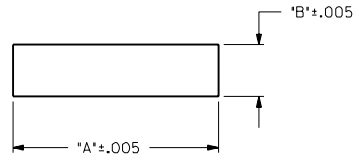
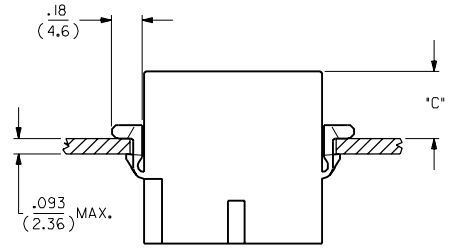
TYPE: _____
P = PLUG
R = RECEPTACLE

PLUG FEATURES: _____
BLANK = WITH PREBENT EARS
1 = WITHOUT EARS

RECEPTACLE FEATURES: _____
BLANK = WITH PREBENT EARS, WITH POSITIVE LOCK RAMP
1 = WITHOUT EARS, WITH POSITIVE LOCK RAMP
2 = WITHOUT EARS, WITH PASSIVE LOCK RAMPS

COLOR: _____
BLANK = NATURAL COLOR
AM = AMBER BK = BLACK BU = BLUE
BN = BROWN CY = GRAY GN = GREEN
OR = ORANGE RD = RED YW = YELLOW

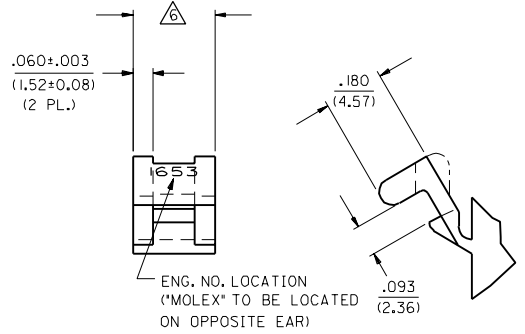
MATERIAL: _____
BLANK = NYLON TYPE 66, 94V-2 PER SMES-128-A-*



RECOMMENDED PANEL OPENING

HOUSING	DIM. 'A'	DIM. 'B'	'C' PREBENT EAR
PLUG	1.33/(13.78)	.42/(10.67)	.40/(10.1)
RECEPT.	1.23/(31.24)	.31/(7.87)	.42/(10.6)

- NOTES:
- MOLEX PRODUCT SPEC 02-09 APPLIES.
 - 2629-P* (PLUG) WILL ACCEPT 2629-R* 5 CIRCUIT RECEPTACLES OR 1490-R* 4 CIRCUIT RECEPTACLE.
 - ACCEPTS MOLEX .093 SERIES TERMINALS.
 - CIRCUIT I.D. NUMBERS ON HOUSING APPEAR ON PARTS FROM TOOLS BUILT AFTER 1/6/92.
 - LOCK RAMP ON THIS SIDE OF PART AVAILABLE IN EITHER A POSITIVE LOCK RAMP OR PASSIVE LOCK RAMP STYLE.
 - FOR DIMENSION, SEE SHEET 1.



DETAIL A
.093/(2.36) PREBENT MOUNTING EAR
(SCALE 4:1)

DIMENSIONS SHOWN (METRIC) INCH		UNLESS OTHERWISE SPECIFIED TOLERANCES: ANGULAR ± .040°		REVISE ONLY ON CAD SYSTEM	
INCH	METRIC	INCH	METRIC	PART NO.	DRWG. NO.
3 PLACE ± .010	---	3 PLACE ± .010	± 0.25	MOLEX INCORPORATED	SHEET NO. 2
2 PLACE ± .014	---	1 PLACE ---	± 0.35	L15LEJLL 60532	DATE 2/3/89
1 PLACE ---	---			U.S.A.	
DRAFT WHERE APPLICABLE MUST REMAIN WITHIN DIMENSIONS				SEE CHART	SD-2629-*
DRWG. BY KBW	CHKD. BY RW	FILE NAME		THIS DRAWING CONTAINS INFORMATION THAT IS PROPRIETARY TO MOLEX INC. AND SHOULD NOT BE USED WITHOUT WRITTEN PERMISSION.	
APP'D. BY RAS	SCALE 2:1	DWG. NO.		DIV.	SIZE
LTR.	REVISIONS	LTR.	REVISIONS	CP	C