

4

3

2

1

THIS DRAWING IS UNPUBLISHED.

RELEASED FOR PUBLICATION

2011

© COPYRIGHT 2011

ALL RIGHTS RESERVED.

LOC	DIST	REVISIONS			
P	LTR	DESCRIPTION	DATE	DWN	APVD
	3	PN CHANGED ON TABLE	22JUL2011	AB	GT
	A	RELEASED ACC. TO ECR-11-021683	25OCT2011	AB	GT
	A1	PART RELEASED FOR PRODUCTION	15NOV2013	KR	JC
	A2	REVISED	24DEC2013	KR	JC

NOTE:

- 1 MATERIAL: PA GF (NATURAL AND BLACK COLOUR)
- 2 DATE CLOCK AND MOULD IMPRESSION ID
- 3 AREA FOR TE LOGO
- 4 TE PART NUMBER

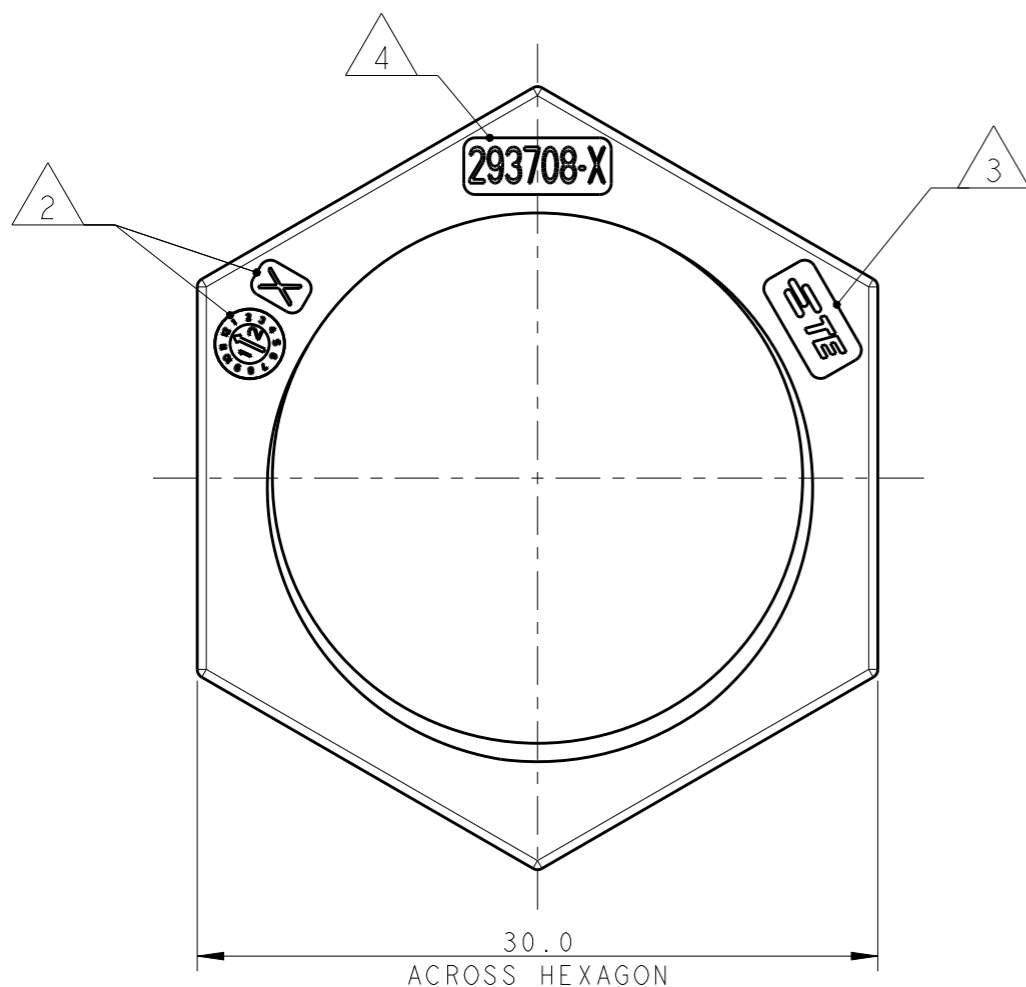
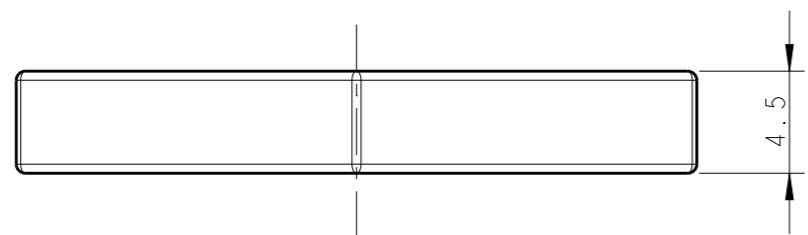
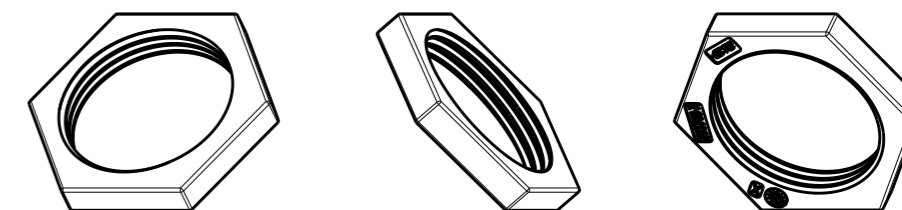


TABLE 1

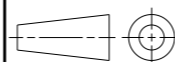
NOTE	COLOUR	DESCRIPTION	REV.	PART NUMBER
1	BLACK	SCREW NUT FOR PANEL MOUNT NECTOR* M-LINE 5, 6, 7 POLES	A	1-293708-1
1	NATURAL	SCREW NUT FOR PANEL MOUNT NECTOR* M-LINE 5, 6, 7 POLES	A	293708-1



SCALE 1:1

THIS DRAWING IS A CONTROLLED DOCUMENT.

DIMENSIONS:
mm



TOLERANCES UNLESS OTHERWISE SPECIFIED:

- 0 PLC ±-
- 1 PLC ±0.3
- 2 PLC ±0.20
- 3 PLC ±-
- 4 PLC ±-
- ANGLES ±3°

MATERIAL -

FINISH -

DWN 21 JAN 2011
A. BERNARDI
CHK 21 JAN 2011
M. ZUCCA
APVD 21 JAN 2011
G. TURCO

PRODUCT SPEC
108-20324

APPLICATION SPEC
114-20169

WEIGHT -

Customer Drawing

STE TE Connectivity

SCREW NUT 5,6,7 POLES
FOR PANEL MOUNT VERSION
M-LINE NECTOR

SIZE	CAGE CODE	DRAWING NO	RESTRICTED TO
------	-----------	------------	---------------

A300779	C=293708		
---------	----------	--	--

SCALE 3:1	SHEET 1 OF 1	REV A2
-----------	--------------	--------