



FVT-2001 □□□□ □□: 1

10/100BASE-TX to 100BASE-FX MMF SC Converter, 2km

The FVT-2001 MMF SC media converter is able to convert network signals between copper and fiber-optic based networks. The converter provides a 10/100Base-TX RJ-45 port, supports full duplex and half duplex switch connectivity and 10Base-T and 100Base-TX auto-sensing. Used in multi-mode with fibre-optic cabling, this can extend a network range up to 2km.

The device features built-in Dip switches for easy converter configuration, which function on the Smart LFP (Link Fault Pass-through), allowing the converter to monitor both the fiber and copper ports for signal loss, as well as converter transmission method, auto-negotiation mode for adjusting copper speed and full & half duplex mode.

The FVT-2001 is able to operate in temperatures from -10° up to 55° Celsius. The converter can be used as a standalone unit or as a slide-in module to the CHV-2000 19" Converter Chassis, which can accommodate up to 14 units for use in a central wiring closet.



- 1. 10/100Mbps Fiber Port
- 2. LED Indicators
- 3. 10/100Mbps RJ-45 Port



- 4. DC Power Jack
- 5. Dip Switch

Key Features

- Transfers data from 10/100Base-TX copper to fiber interfaces
- Multi-mode fiber with SC connector for transmission of up to 2km
- Built-in LFP (Link Fault Pass-through) Technology
- □□□□ □□ □□□□ □□□□ □□ IEEE 802.3x □□□□ □□□□ □□ □□□□ □□



- Dip switches for customized configuration
- Supports low-time lag transmission
- Supports the transmission of extra-long packets up to 1.6KB
- -10°C ~ 55°C operating temperature range

□□ □□



CVH-2000
14-Slot Media Converter Chassis



FVT-2002
10/100BASE-TX to 100BASE-FX MMF ST Converter, 2km

□□□□

System Specifications

Connectors and Cabling:

Fiber Duplex SC (2km); RJ-45 Port CAT-5 Twisted Pair cable
Auto MDI/MDI-X (Max to 100m) and Auto-Negotiation

Wavelength(nm):

1310nm

Indicator:

PWR, TX (FDX, 100, Link/Act), FX (100, Link/Act)

Transmission Method:

Store and forward (Default)

Power:

DC 5V/1A

Standards & Protocols:

IEEE 802.3 10-BASE-T, Ethernet

IEEE 802.3u 100-BASE-TX, Fast Ethernet

IEEE 802.3x Flow Control (full-duplex flow control)

Physical Specifications

Dimensions (W x D x H mm):

71 x 94 x 26 mm

Weight (g):

420 g

Performance

Operating Distance:

2KM

Features

General:

DIP Switch 1: LFP function

- DIP Switch 2: Transmission Mode
- DIP Switch 3: Auto/Force the UTP port work mode
- DIP Switch 4: 10/100M for UTP port
- DIP Switch 5: Full/Half Duplex mode for UTP port
- DIP Switch 6: Normally close

Environment

Temperature (°C):

Storage: -40 ~75 °C

Operating: -10 ~ 55 °C

Humidity (Non-condensing):

5 ~ 90 %

Others

Approval and Compliance:

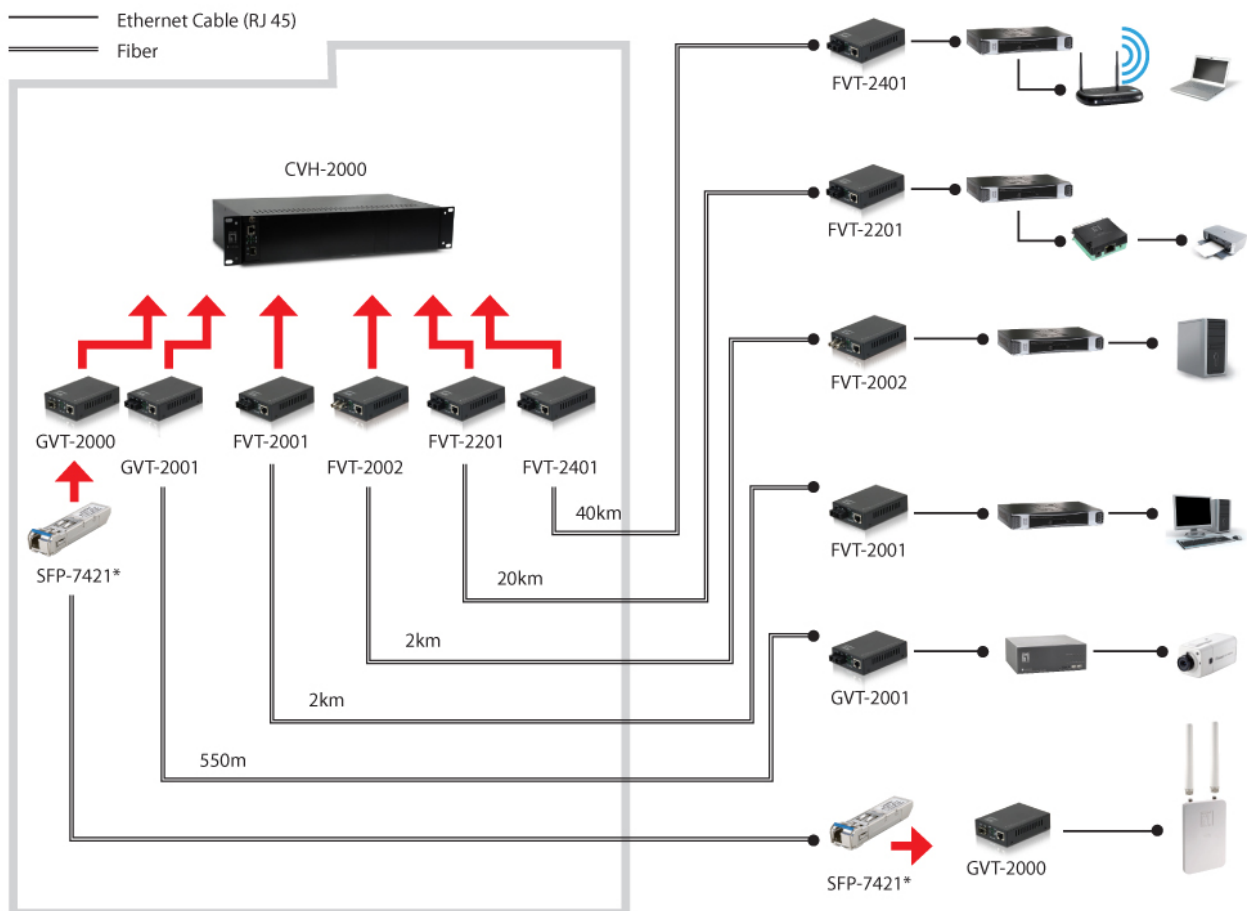
CE, FCC

Deployment:

Desk, wall and chassis mounted



Dimension Diagram



*In above example diagram, converter modules at local and remote ends should be paired for proper connectivity, and the distance mainly depends on cable and transceiver selection accordingly.



Order Information

FVT-2001

Package Contents

Power Adapter
Quick Installation Guide

□□□□ □□□



CVH-2000