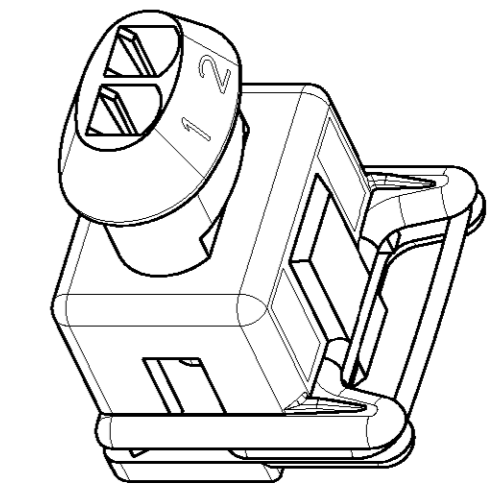
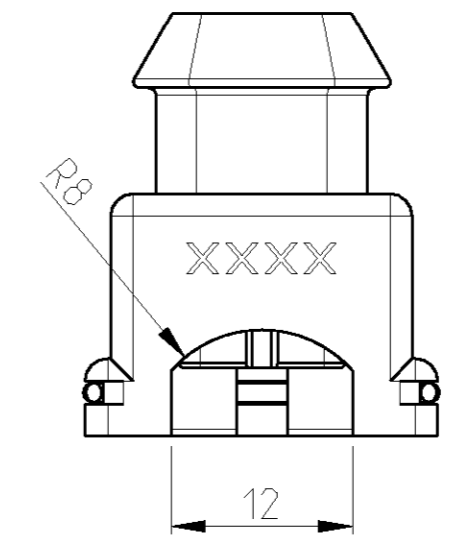
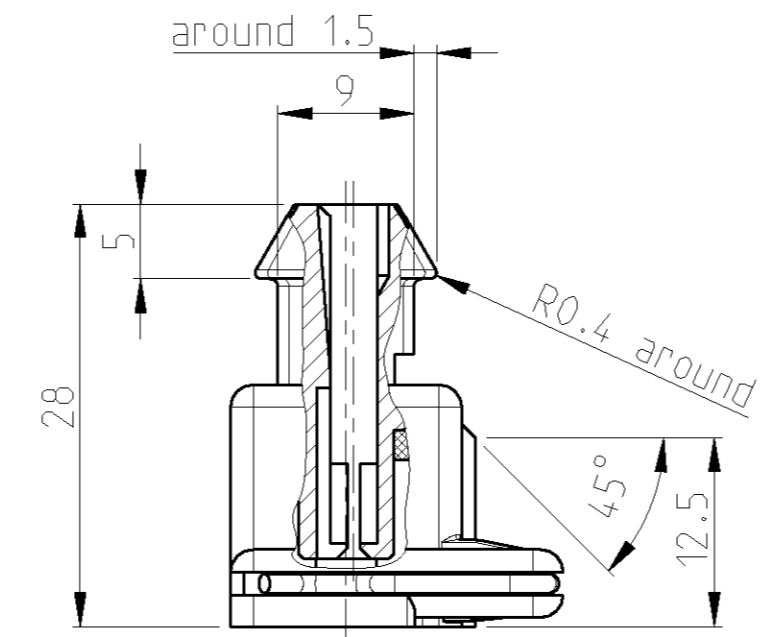
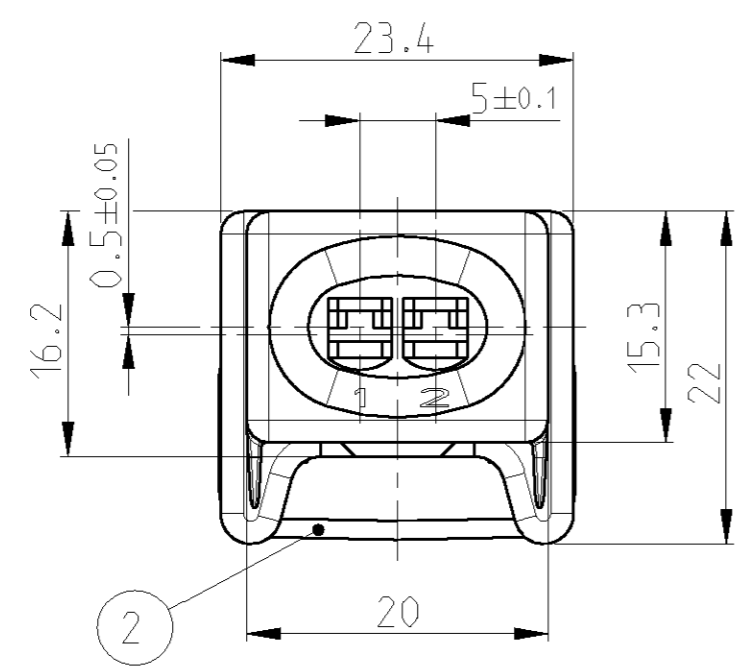
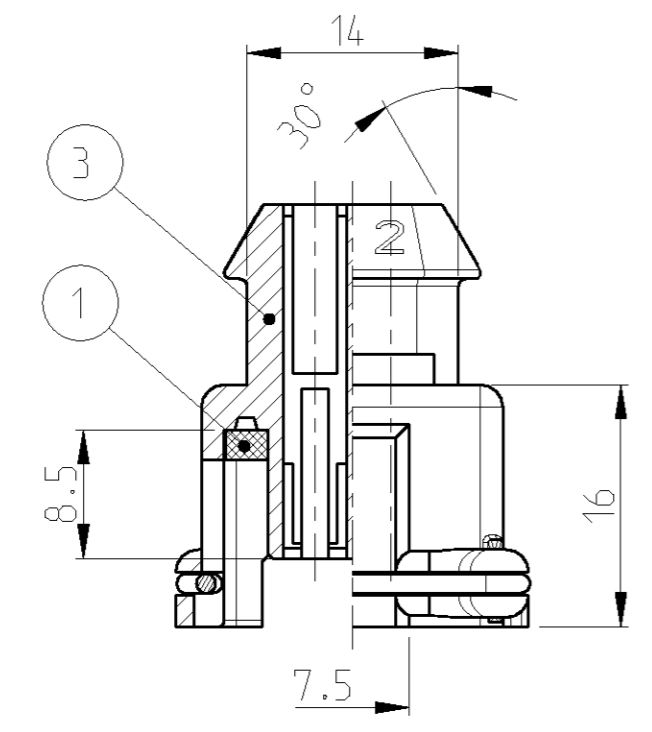
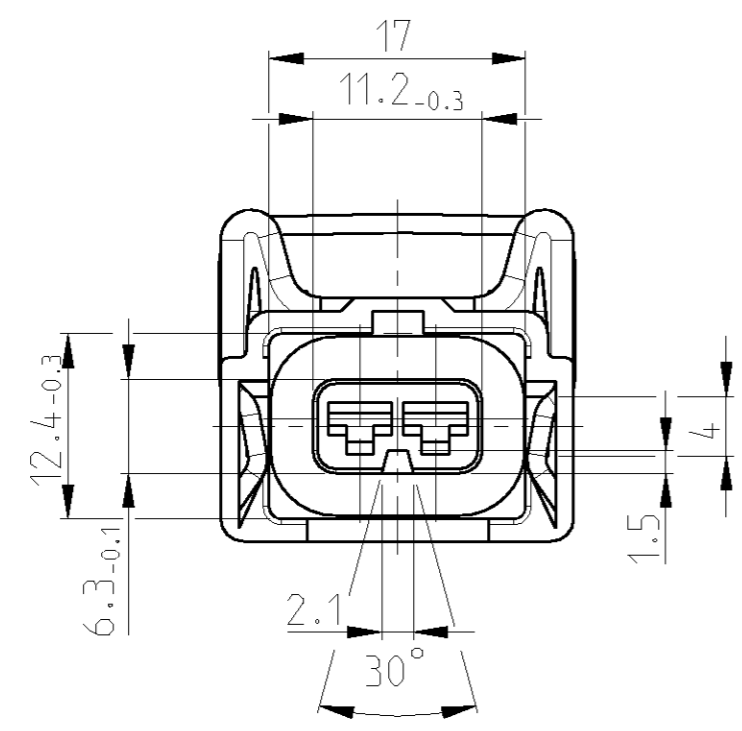


THIS DRAWING IS UNPUBLISHED. RELEASED FOR PUBLICATION 2006
 © COPYRIGHT BY ALL RIGHTS RESERVED.

REVISONS				DATE	DWN	APVD
P	LTR	DESCRIPTION				
A4		REVISED PER ECO-11-005294		29APR11	RK	HMR



1								927 374-8	2 POS. HOUSING	3	PA 6.6 GFV 30	YELLOW
	1							927 374-7		3		RED
		1						927 374-6		3		GREEN
			1					927 374-5		3		BLUE
				1				927 374-4		3		BROWN
					1			927 374-3		3		BLACK
						1		927 374-2		3		GREY
							1	927 374-1		3		NATURAL
1	1	1	1	1	1	1	1	827 547-1	SPRING	2	DIN 2076	
1	1	1	1	1	1	1	1	825 383-1	SEALING	1	NEOPRENE	
827 551-8								PART-NO.	DESCRIPTION	ITEM NO.	MATERIAL	COLOR

DIMENSIONS: mm		TOLERANCES UNLESS OTHERWISE SPECIFIED: ±0.3mm		DWN: Hoschek 12JUL1983		NAME: 2 POS. HOUSING FOR JUNIOR-TIMER CONTACT	
MATERIAL: -		FINISH: -		CHK: Ryll 09AUG1983		2 pol. Gehäuse für Junior-Timer Kontakt	
APVD: Bleicher, M. 25AUG2006		APVD: -		APVD: -		SIZE: A2	CAGE CODE: 00779
CUSTOMER DRAWING		SCALE: 2:1		APVD: -		DRAWING NO: C=827551	RESTRICTED TO: -
				WEIGHT: -	SHEET 1 OF 1		REV A4