



## RLTMPL-532 30-150 mW

Q-SWITCHED PULSED LASER



### Green Diode Pumped Solid State Q-switched Laser

All solid state 532 nm green q-switched laser featuring high peak power, high repetition rate and short pulse duration, which is widely used in industry, such as marking on the diamond or stone, teaching of nonlinear optics, experiments of generating 355nm or 266nm laser, fiber communication, etc.



Specifications		
Wavelength	532 ±1 nm	
Operating Mode	Q-switched pulsed laser	
Single pulse energy	5 – 30 µJ	
Pulse Duration	~10 ns	
Peak Power	300 – 1000 W	
Rep. rate	Controllable	Specified one rep. rate, such as 1 k, 2 k, 3 k, up to 5 kHz, with stable laser pulses emitting (stable pulse energy, peak, duration and period) Different rep. rate in the range of 1 Hz – 5 kHz can be obtained by input an external TTL signal
	Uncontrollable	Undefined rep. rate among 5k – 30 kHz and unstable laser pulse emitting. Suitable for the applications only needing high peak power pulses
Average Power	Ave. power (mW) = Single pulse energy (µJ) * Rep. rate (kHz)	
Ave. Power Stability (rms, over 4 hours)	< 1%, < 3%, < 5%	
Transverse Mode	Near TEM <sub>00</sub>	
Warm-up time	< 10 min	
M <sup>2</sup> factor	< 1.5	
Beam Divergence (full angle)	< 2.0 mrad	
Beam Diameter (at the aperature)	~ 3.0 mm	
Beam Height (from base plate)	29.0 mm	
Operating Temperature	10 - 35 °C	
Power Supply (90-260VAC)	PSU-FDA (included)	
Expected Lifetime	10000 hours	
Warranty period	1 year	



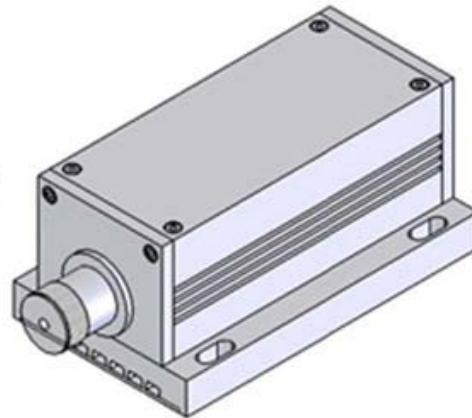
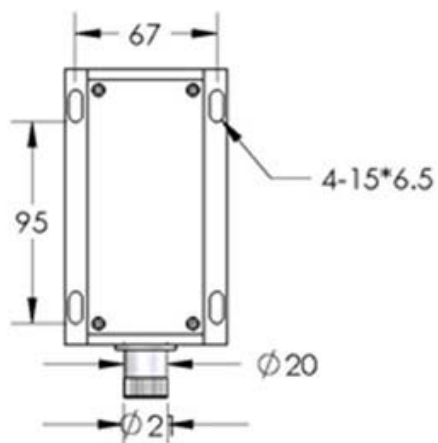
LASER RADIATION  
AVOID DIRECT EXPOSURE TO BEAM  
DO NOT STARE INTO BEAM  
NEVER VIEW THROUGH OPTICAL INSTRUMENTS



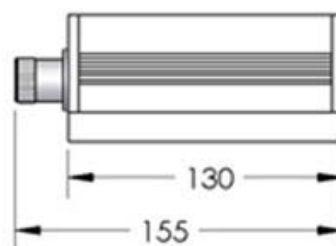
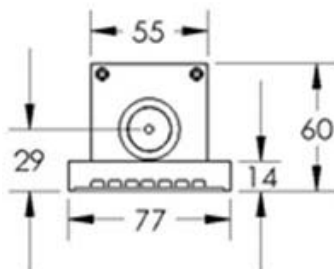
## Laser head



155 x 77 x 60 mm<sup>3</sup>, 0.9 kg



All dimensions in mm

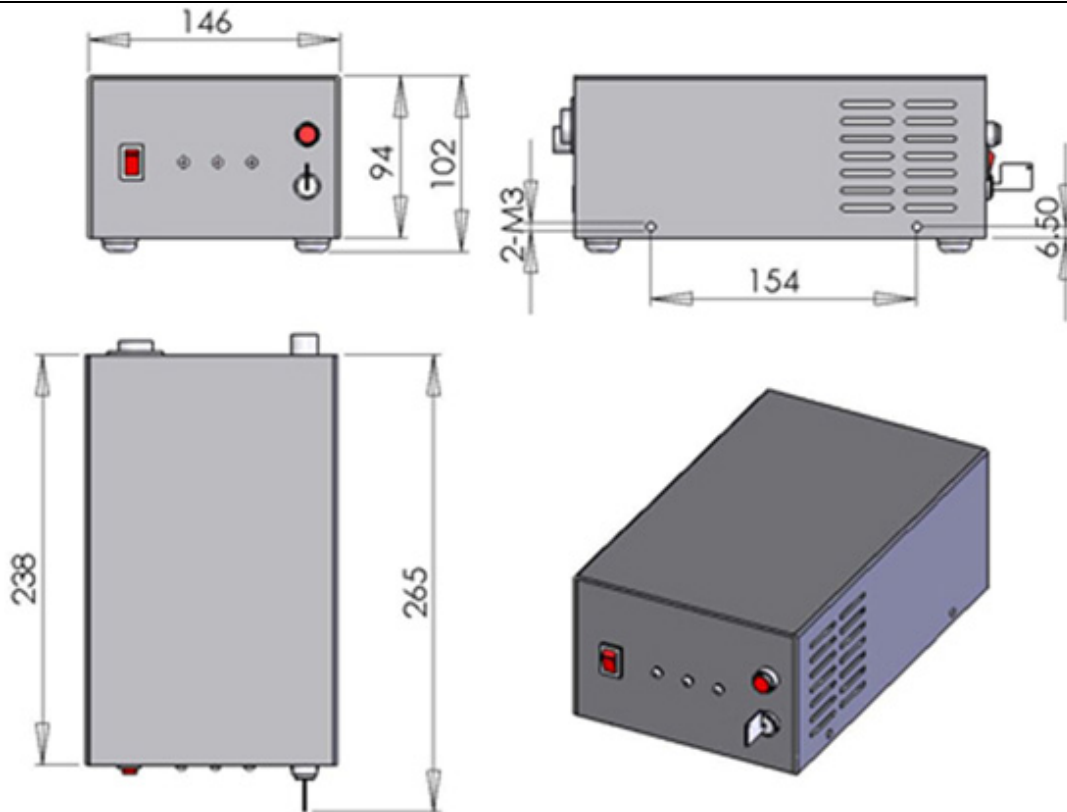




## PSU-FDA power supply



238 x 146 x 102 mm<sup>3</sup>, 2.3 kg



All dimensions in mm