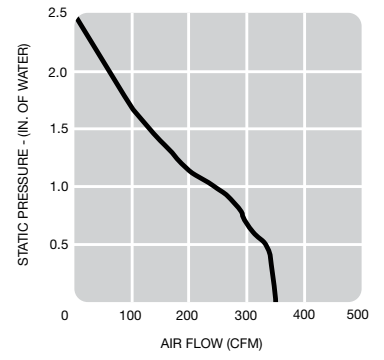
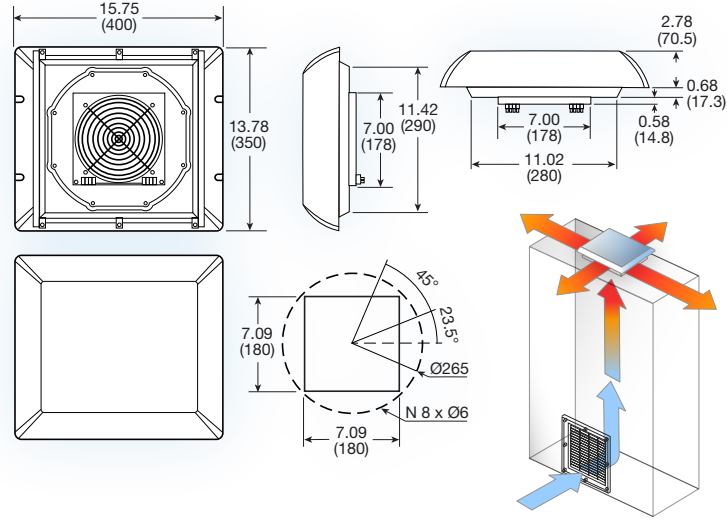


MRF-190



(400 x 350 x 116 mm)
15.75 x 13.78 x 4.57 inches

- Construction: Frame: magnesium - RAL7035
Fan: magnesium impeller & frame

- Bearing option: ball bearing

- Connection: terminal block

- Protection: thermal

- Options: tachometer output signal,
thermistor speed control

Model No.	Rated Voltage V	Input Power W	Speed RPM	Air Volume		Max. Static Pressure (H ₂ O)		Sound Noise dbA	Weight kg
				M ³ /Min.	CFM	MM	INCH		
MRF-190	115	95	3,200	9.85	348	63.5	2.50	76	4
	230	95	3,200	9.85	348	63.5	2.50	76	4

