

KST Series Long Travel Tact Switch for SMT

Features/Benefits

- Rubber actuator
- Silver contact material
- J or G terminals
- Compatible with pick and place machines
- IP 40 sealed
- RoHS compliant and compatible

Typical Applications

- Front panel
- Car dashboards
- Telephone set
- Instrumentation



Specification

FUNCTION: Momentary
CONTACT ARRANGEMENT: 1 make contact = SPST N.O.
TERMINALS: J Bend or Gullwing type for SMT

Mechanical

MAXIMUM APPLIED FORCE: 40 N (400 grams)

Type	Operating force Fa N (grams)±30%	Operating life (operations)	Travel to make
KST221G / J	2 (200)	100,000	1,3+0,3/-0.2
KST241G / J	3.5 (350)	100,000	1,3+0,3/-0.2

Packaging

Switches are delivered on continuous tape and reels of 1,000 pieces, 330 (12.992) external diameter. Other dimensions according to EIA-RS-481 standard.

Electrical

	Silver	Gold
SWITCHING POWER MAX.:	1.0 VA	0.50 VA
MAXIMUM POWER:	0.2 VA	0.2 VA
MAXIMUM VOLTAGE:	32 VDC	32 VDC
MINIMUM VOLTAGE:	20 mV	20 mV
MAXIMUM CURRENT:	10 mA	10 mA
MINIMUM CURRENT:	1 mA	1 mA
DIELECTRIC STRENGTH (50 Hz, 1 min.):	> 250 V	
CONTACT RESISTANCE:	<100m Ω	
INSULATION RESISTANCE:	<10 ⁹ Ω	
BOUNCE TIME:	< 1 ms	

Environmental

OPERATING TEMPERATURE: -40°C to +85°C
STORAGE TEMPERATURE: -40°C to +85°C

Process

Compatible with the lead free soldering profile.

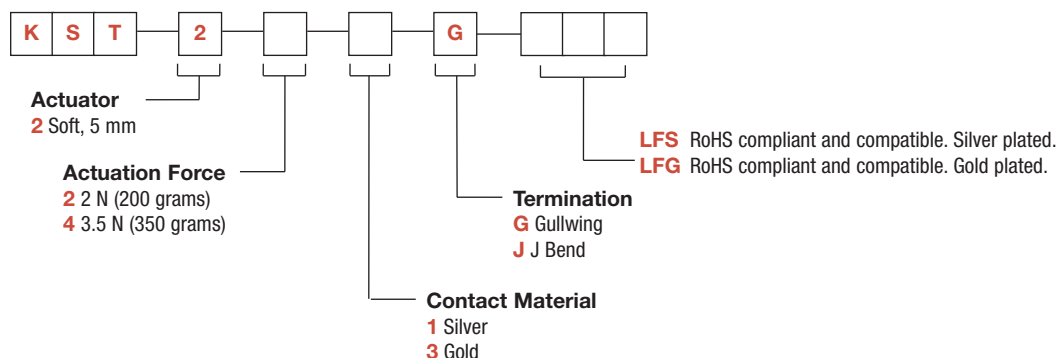
NOTE: Specifications listed above are for switches with standard options.
For information on specific and custom switches, consult Customer Service Center.

How To Order

Our easy build-a-switch concept allows you to mix and match options to create the switch you need. To order, select desired option from each category and place it in the appropriate box.

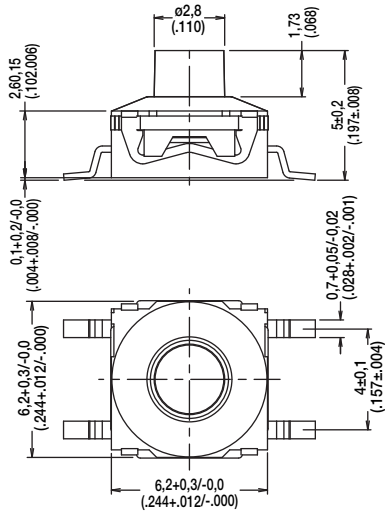
However, please note that all the combinations of these options are not feasible.

For any part number different from those listed above, please consult your local ITT representative.

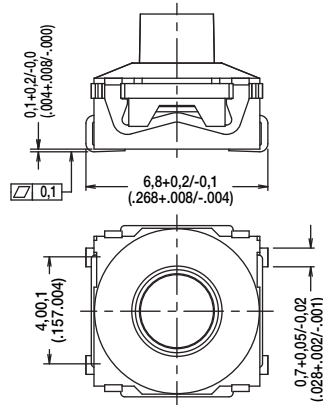


KST Series Long Travel Tact Switch for SMT

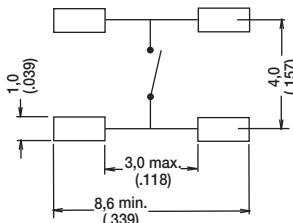
KST



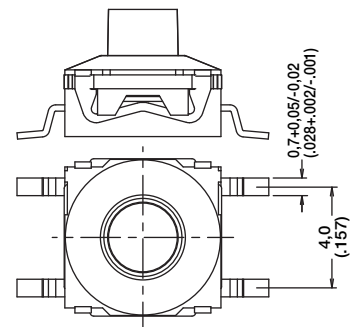
J J BEND



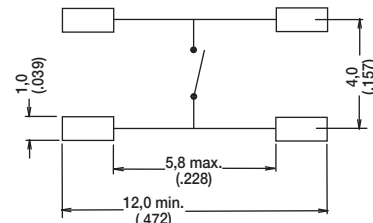
PAD LAYOUT



G GULLWING

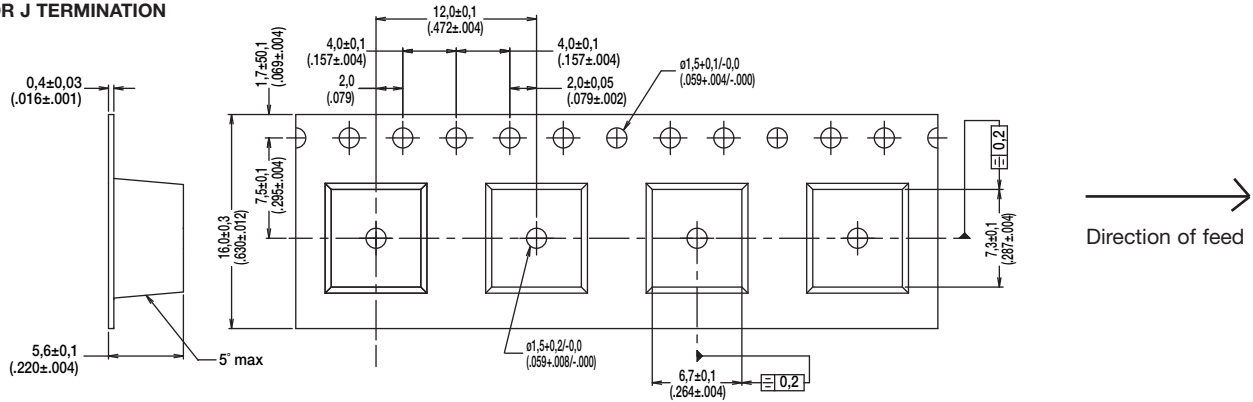


PAD LAYOUT

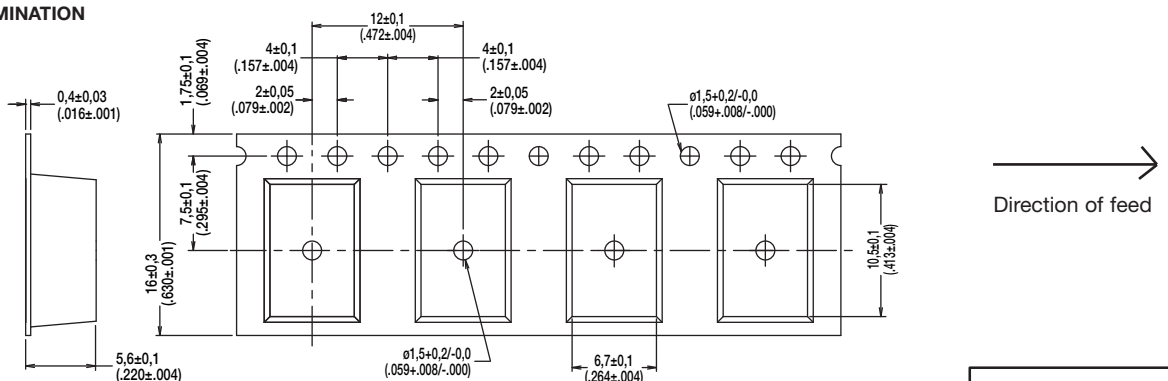


TAPE & REEL

FOR J TERMINATION



FOR G TERMINATION



Dimensions shown in: mm (inch)
Specifications and dimensions subject to change

www.ittcannon.com