

SAW Resonator 433.920 MHz

Model: TC0219A

Part No: MA05774

Rev No: 5

A. FEATURES:

1. One - Port Resonator

B. MAXIMUM RATING:

1. Input Power Level: 0dBm
2. DC voltage: 12V
3. Operating Temperature: -40°C to +85°C
4. Storage Temperature: -40°C to +85°C

C. ELECTRICAL CHARACTERISTICS:

Reference Temperature $T_A = 25^\circ\text{C}$

Characteristic	Units	Min.	Typ.	Max.
Center frequency f_c	MHz	433.845	433.920	433.995
Insertion Loss IL	dB	-	1.58	2.2
Unload quality factor QU		6000	11000	-
Ageing of f_c	ppm/yr	-	-	± 10
Motional capacitance C1	fF	-	1.5	-
Motional inductance L1	μH	-	89.79	-
Motional resistance R1	Ohm	-	22.25	-
Parallel capacitance C_0	pF	-	2.95	-
Frequency Temperature coefficient (TC _f)	ppm/c*2	-	0.032	-
Turnover T_0	deg. C	10	25	40
Package size		SMD 3 X 3 X 1.1mm		

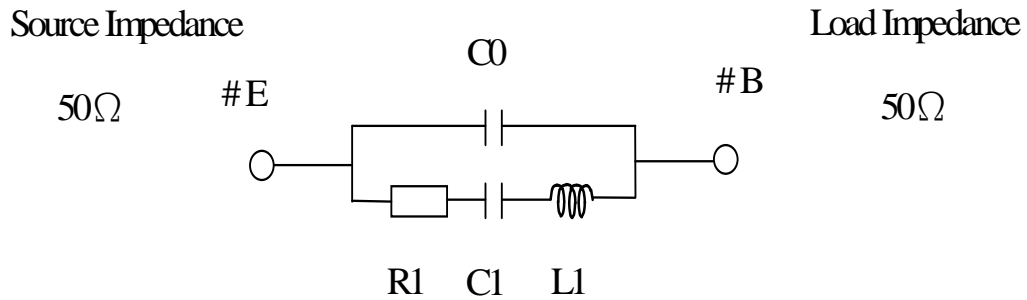
Temperature dependence of f_c : $f_c(T_A) = f_c(T_0) (1 + TC_f(T_A - T_0))^2$

SAW Resonator 433.920 MHz
Part No: MA05774

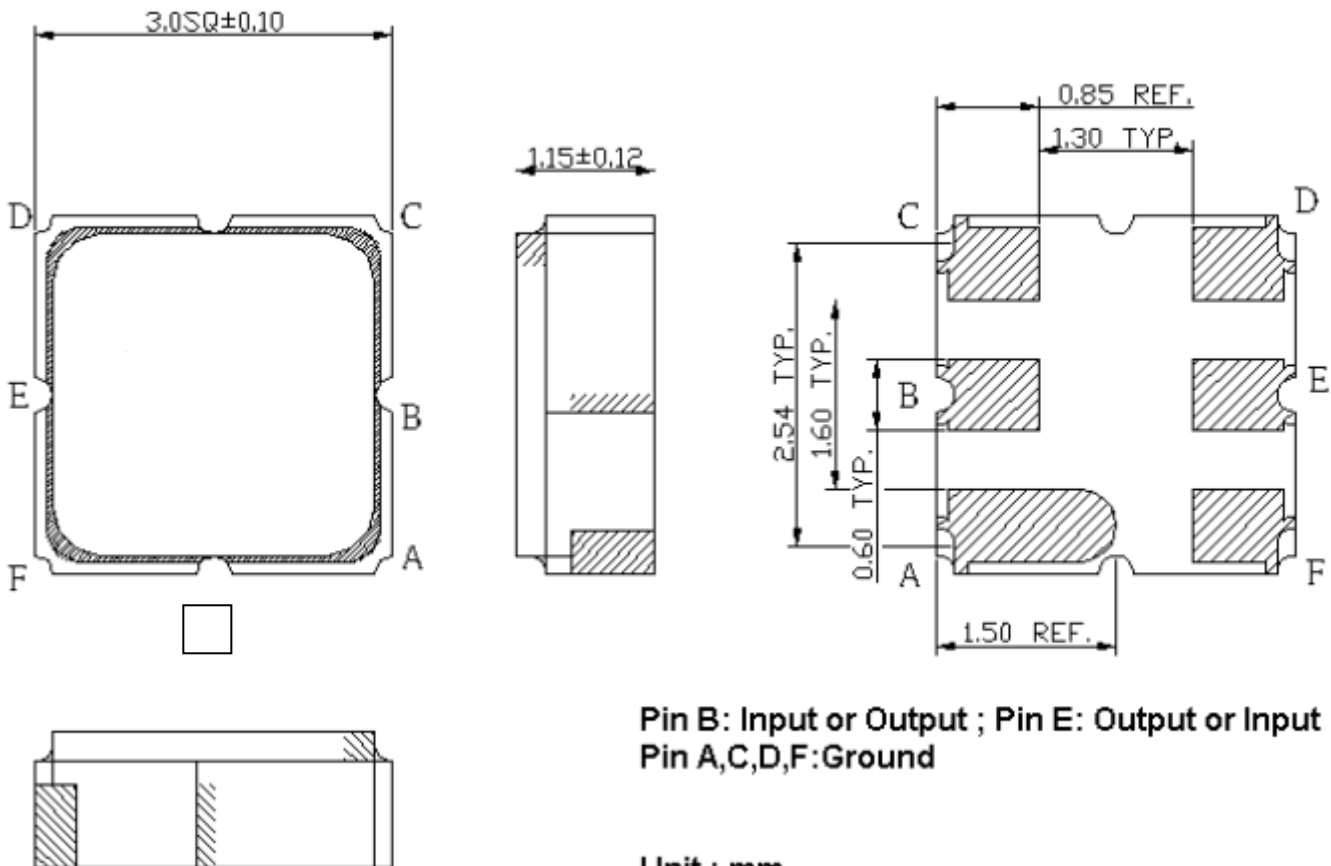
Model: TC0219A
Rev No: 5

D. EQUIVRENT CIRCUIT:

One - Port Resonator



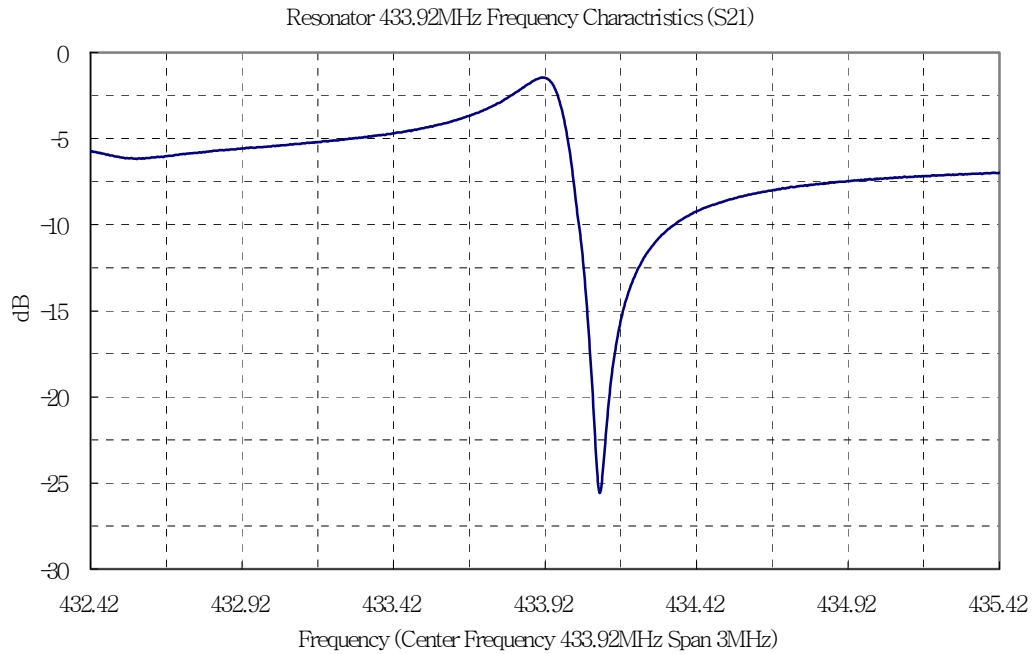
E. OUTLINE DRAWING:



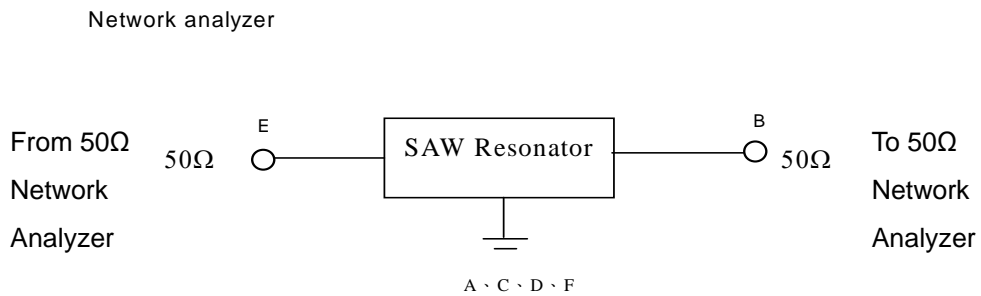
SAW Resonator 433.920 MHz
Part No: MA05774

Model: TC0219A
Rev No: 5

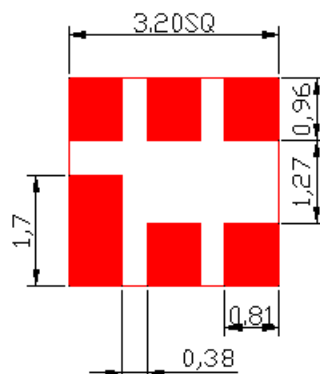
F. FREQUENCY CHARACTERISTICS:



G. TEST CIRCUIT:



H. PCB FOOTPRINT:

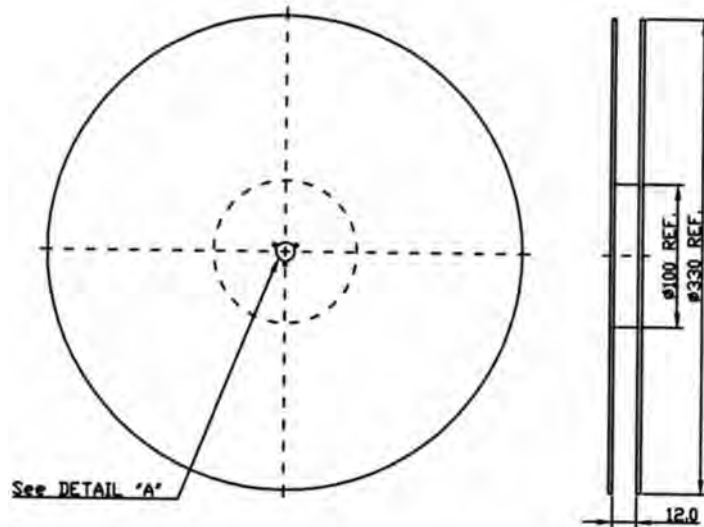


SAW Resonator 433.920 MHz
Part No: MA05774

Model: TC0219A
Rev No: 5

I. PACKING:

1. Reel Dimension



2. Tape Dimension

