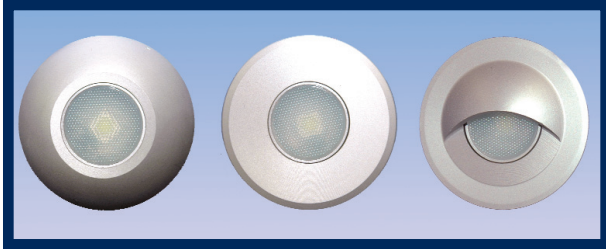


# Dialight

## VEHICLE SPOT LIGHT (WITH AND WITHOUT OPTICS)



### APPLICATIONS

The single LED module can be used in stepwell, compartment and general illumination lighting applications.

### OPERATING CONDITIONS

- ▲ External constant current driver required
- ▲ Recommended input current 350mA
- ▲ Multiple modules can be connected in series for increased light output or longer runs off a single supply.
- ▲ Ambient Temperature -20C° to +55C° (-4°F to +131°F)

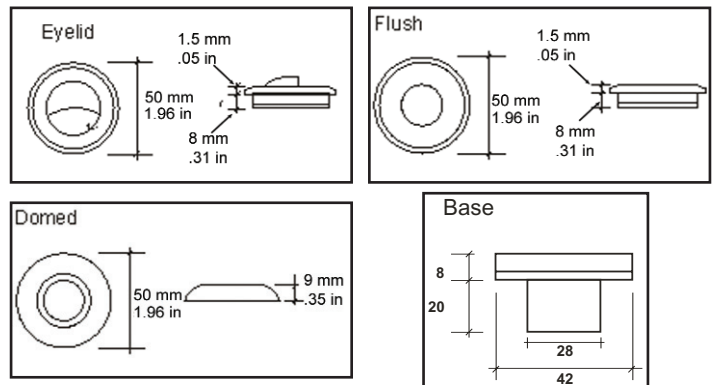
### MATERIALS/FINISH

- ▲ Construction: Anodized Aluminum

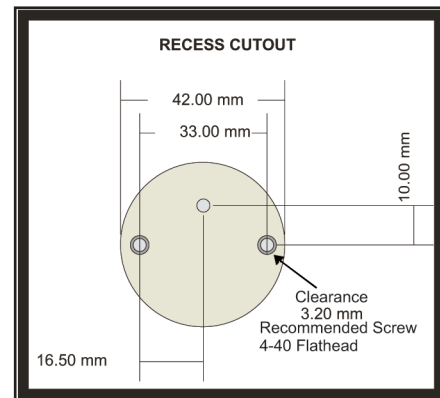
### FEATURES / BENEFITS

- ▲ IP67 rated, interior / exterior use
- ▲ Mounting holes located under snap on cover
- ▲ Typical 50,000 hour LED life
- ▲ Easy to install
- ▲ Low profile
- ▲ Typical 1.2 watt power consumption with use of external constant current driver

### MECHANICAL DIMENSIONS



### MOUNTING INFORMATION



## PRELIMINARY

Dialight reserves the right to make changes at any time in order to supply the best product possible.



Dialight Corporation

1501 Route 34 South • Farmingdale, NJ 07727 USA

Tel: (1) 732-919-3119 • Fax: (1) 732-751-5778 • www.dialight.com



MDTBLUMGU\_01



## VEHICLE SPOT LIGHT (WITH AND WITHOUT OPTICS)

PART NUMBER	SIZE	DESCRIPTION
12284CB	1" round lens 2" round housing	12-24vdc dome
12294CB	1" round lens 2" round housing	12-24vdc eyelid
12304CB	1" round lens 2" round housing	12-24vdc flush mount
12314CB	1" round lens 2" round housing	12-24vdc 5 degree base spot
12324CB	1" round lens 2" round housing	12-24vdc 15 degree base spot
12334CB	1" round lens 2" round housing	12-24vdc 25 degree base spot
12344CB	1" round lens 2" round housing	12-24vdc oval base spot

DRIVERS	APPLICATION
MLV3-C-35	1 - 3 Units
MLV9-C-35	3 - 9 Units



**PRELIMINARY**

Dialight reserves the right to make changes at any time in order to supply the best product possible.

**Dialight Corporation**  
1501 Route 34 South • Farmingdale, NJ 07727 USA  
Tel: (1) 732-919-3119 • Fax: (1) 732-751-5778 • [www.dialight.com](http://www.dialight.com)



MDTBLUMGU\_01