

PLEASE CHECK WWW.MOLEX.COM FOR LATEST PART INFORMATION

Part Number: [0357607200](#)
Status: **Active**
Description: Wire Splice, 12-16 AWG, Un-Plated

Documents:

[Packaging Specification \(PDF\)](#) [Product Specification PS-35760-003 \(PDF\)](#)
[Drawing \(PDF\)](#) [RoHS Certificate of Compliance \(PDF\)](#)

General

Product Family	Splices
Series	35760
Crimp Quality Equipment	Yes
Mil-Spec	N/A
Product Name	N/A

Physical

Barrel Type	Open
Insulation	None
Material - Metal	Brass
Packaging Type	Reel
Temperature Range - Operating	-30°C to +105°C
Wire Insulation Diameter	3.5mm (.138")
Wire Size AWG	12, 14, 16
Wire Size mm ²	1.50 - 2.50

Electrical

Voltage - Maximum	200V AC (RMS)/DC
-------------------	------------------

Material Info

Reference - Drawing Numbers

Product Specification	PS-35760-003
Sales Drawing	SD-35760-002, SD-35760-7**0

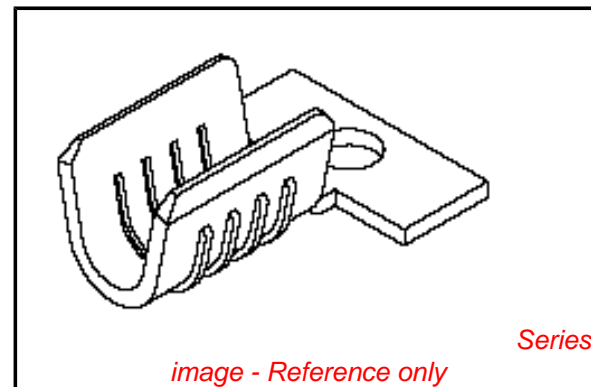


image - Reference only

Series

EU RoHS

**ELV and RoHS
Compliant**
**REACH SVHC
Contains SVHC: No**
**Halogen-Free
Status**

China RoHS



**Need more information on product
environmental compliance?**

Email productcompliance@molex.com
For a multiple part number RoHS Certificate of Compliance, [click here](#)

Please visit the [Contact Us](#) section for any non-product compliance questions.

Search Parts in this Series
35760Series

DO NOT SCALE DRAWING
DIMENSION IN METRIC

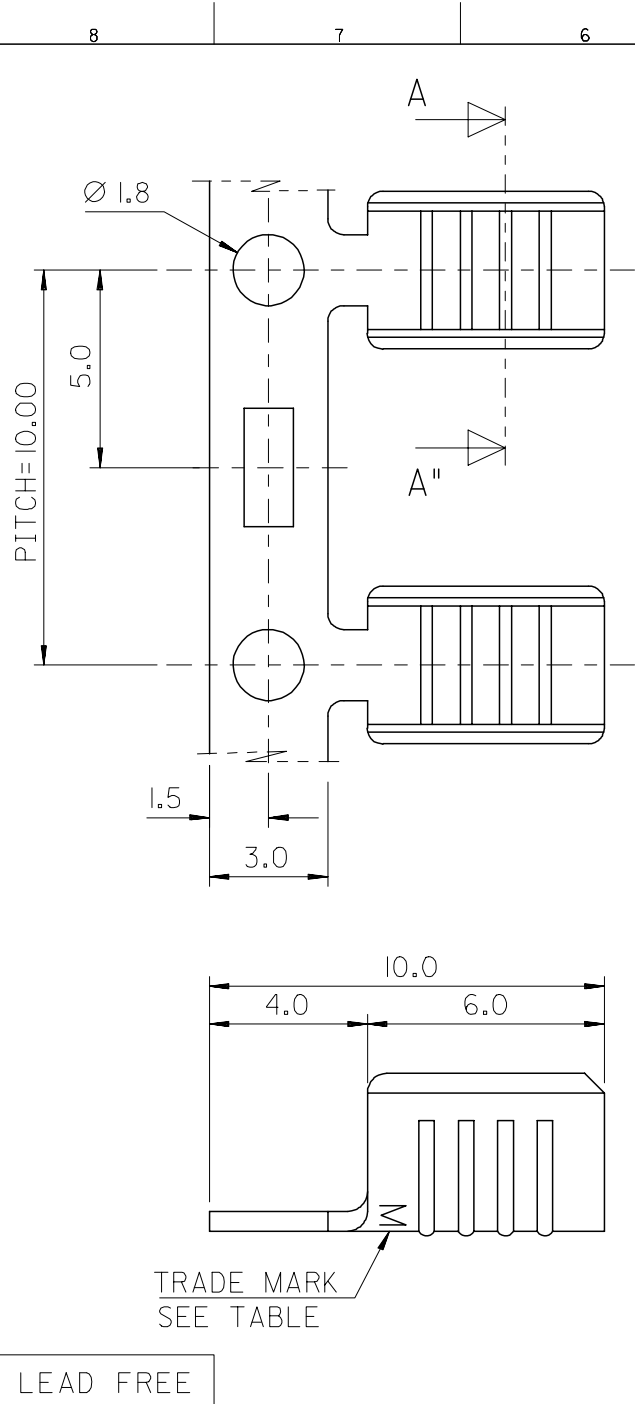
LEAD FREE

TRADE MARK
SEE TABLE

PROJECT NO.

SIMILAR ITEM

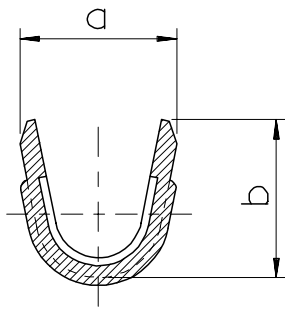
DWG. NO. SD 35760-002



NOTES

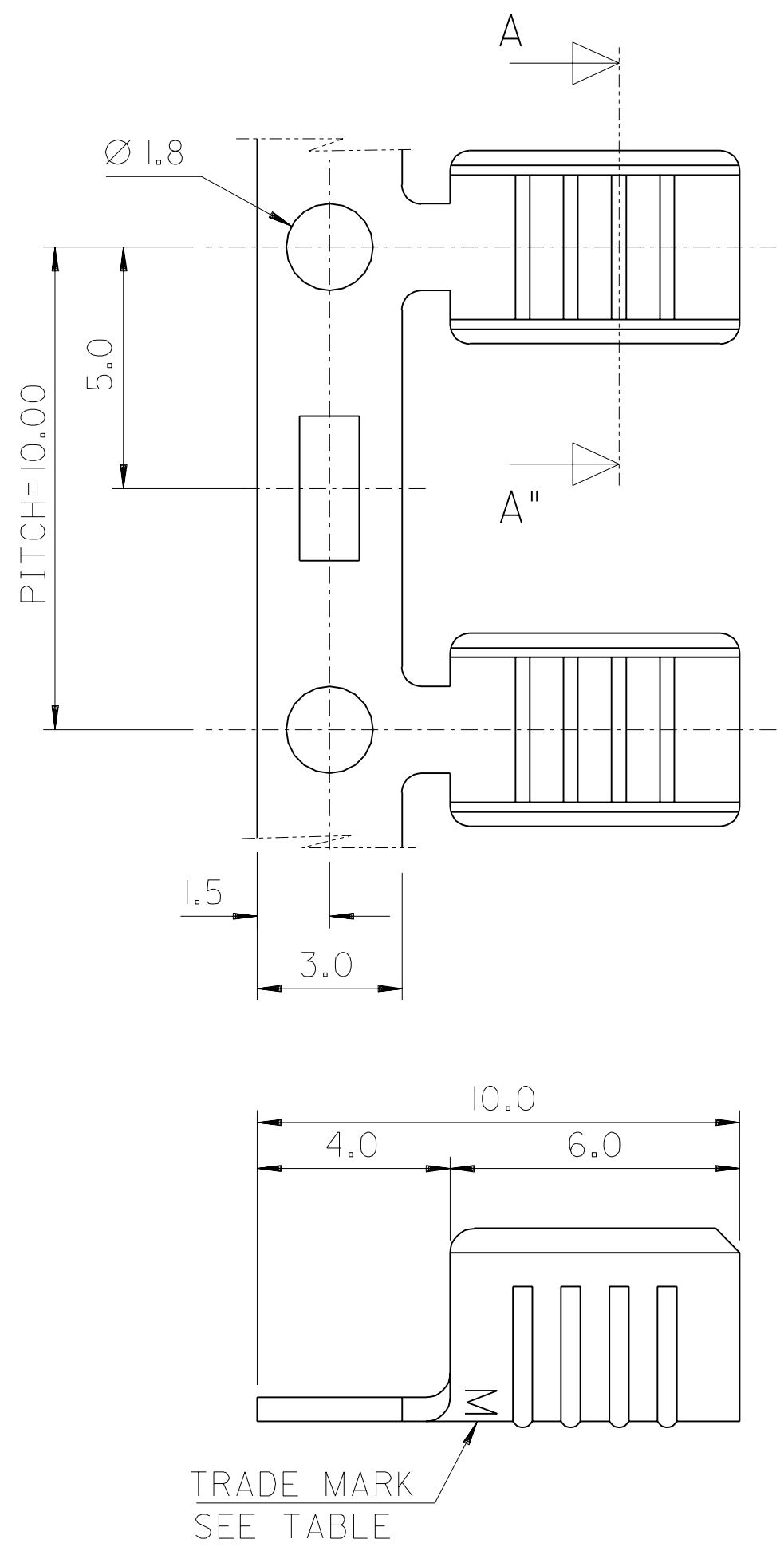
1. MATERIAL : BRASS , 0.5mm THICKNESS
2. PART NO.

PART NO.	a	b	FINISH	△B	△B
				WIRE RANGE	QUANTITY
35760-7100	3.3	3.3	UNPLATED	0.5~1.5mm ²	6,000/REEL
35760-7110			POST PLATED TIN		
35760-7140			TIN-LEAD		
LEAD FREE 35760-7160	4.2	4.2	POST PLATED TIN	1.5~2.5mm ²	5,000/REEL
35760-7200			UNPLATED		
35760-7210			POST PLATED TIN		
35760-7240			TIN-LEAD		
LEAD FREE 35760-7260			POST PLATED TIN		



ADDITION OF OPTION EC NO. KOR2006-0064 DRWN: SY.PARK 05/12/16 CHK: BC.YOON 05/12/16 APPR: SH.CHOI 05/12/16	QUALITY SYMBOLS MAJOR = 0 CRITICAL = 0	GENERAL TOLERANCES: (UNLESS SPECIFIED)		SCALE 8:1	DESIGN UNITS <input checked="" type="checkbox"/> mm <input type="checkbox"/> INCH	THIRD ANGLE PROJECTION <input checked="" type="checkbox"/> mm <input type="checkbox"/> INCH <input type="checkbox"/> mm ONLY	SHT	REV	
		4 PLACES	±0.	±.	DRAWN BY & DATE J.S.KANG 93/10/07	TITLE: WIRE SPLICE (S),(SM)			
		3 PLACES	±0.	±.	CHECKED BY & DATE B.K.CHOI 93/10/07				
		2 PLACES	±0.20	±.	APPROVED BY & DATE C.W.LEE 93/10/07				
1 PLACE	±0.30	±.	ANGULAR: ± °	CAD FILENAME S7607100.DGN	MATERIAL NO. SEE TABLE	DRAWING NO. SD-35760-002	SHEET NO. 10F1	SIZE B	
DRAFT WHERE APPLICABLE MUST REMAIN WITHIN DIMENSIONS				THIS DRAWING CONTAINS INFORMATION THAT IS PROPRIETARY TO MOLEX INCORPORATED AND SHOULD NOT BE USED WITHOUT WRITTEN PERMISSION.				MX-A3	

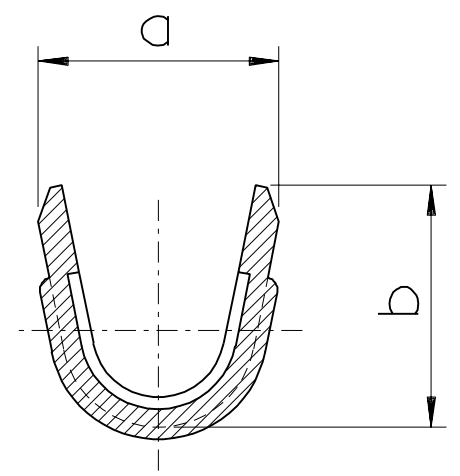
DWG. NO. SD 35760-7**0
 SIMILAR ITEM
 PROJECT NO.
 DO NOT SCALE DRAWING DIMENSION IN METRIC



NOTES

1. MATERIAL : BRASS , 0.5mm THICKNESS
2. PART NO.

PART NO.	DIM'S		FINISH	WIRE SIZE	MAT'L THICK'	TRADE MARK
	a	b				
35760-7100	3.3	3.3	UNPLATED	AWG #20-#16	0.5mm	MK2
35760-7110			POST PLATED TIN			
35760-7140			TIN-LEAD			
35760-7200	4.2	4.2	UNPLATED	AWG #16-#12	0.5mm	MK2
35760-7210			POST PLATED TIN			
35760-7240			TIN-LEAD			
35760-7205	4.2	4.2	POST PLATED TIN		0.4mm	MK24



REVISED	EC NO. DRWN: W.Y. YANG 01/11/15 CHK: APPR:	DESCRIPTION	QUALITY SYMBOLS	GENERAL TOLERANCES: (UNLESS SPECIFIED)		SCALE 8:1	DESIGN UNITS <input checked="" type="checkbox"/> mm <input type="checkbox"/> INCH	THIRD ANGLE PROJECTION <input checked="" type="checkbox"/>	DIMENSIONS: <input type="checkbox"/> mm <input type="checkbox"/> INCH <input checked="" type="checkbox"/> mm ONLY		SHT	REV
			MAJOR $\blacktriangledown = 0$ CRITICAL $\triangle = 0$	mm	INCH	DRAWN BY & DATE J.S.KANG 93/10/07		TITLE: WIRE SPLICE (S),(SM)		MOLEX INCORPORATED KOREA		
B	REV		4 PLACES $\pm 0.$	$\pm .$	4 PLACES $\pm 0.$	$\pm .$	CHECKED BY & DATE B.K.CHOI 93/10/07		MATERIAL NO. SEE TABLE		DRAWING NO. SD-35760-7**0	SHEET NO. 10F1
			3 PLACES $\pm 0.$	$\pm .$	3 PLACES $\pm 0.$	$\pm .$	APPROVED BY & DATE C.W.LEE 93/10/07		DRAWING NO. SD-35760-7**0			SIZE B
			2 PLACES ± 0.20	$\pm .$	2 PLACES ± 0.20	$\pm .$	CAD FILENAME S7607100.DGN		DRAWING NO. SD-35760-7**0			
			1 PLACE ± 0.30	$\pm .$	1 PLACE ± 0.30	$\pm .$	ANGULAR: \pm °		DRAWING NO. SD-35760-7**0			
			DRAFT WHERE APPLICABLE MUST REMAIN WITHIN DIMENSIONS			THIS DRAWING CONTAINS INFORMATION THAT IS PROPRIETARY TO MOLEX INCORPORATED AND SHOULD NOT BE USED WITHOUT WRITTEN PERMISSION.						