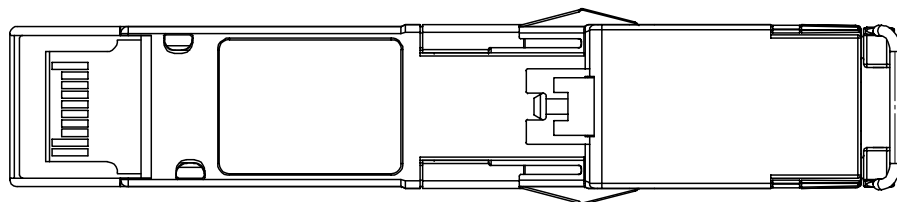
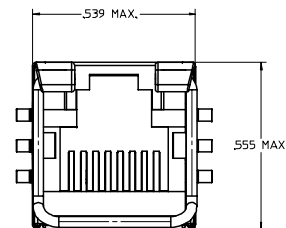
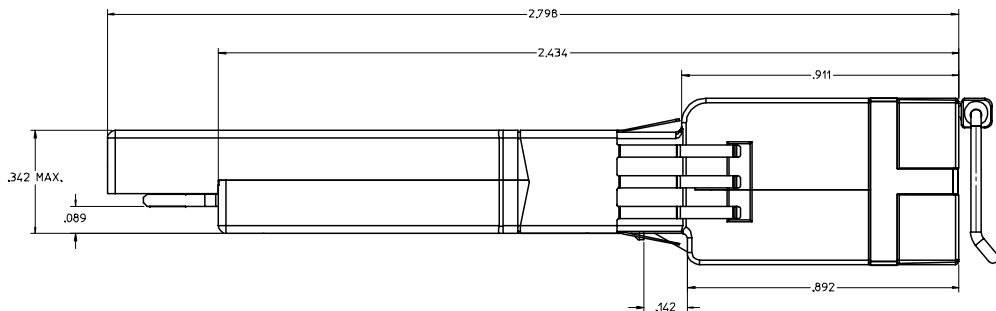
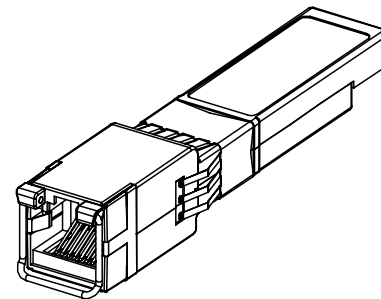
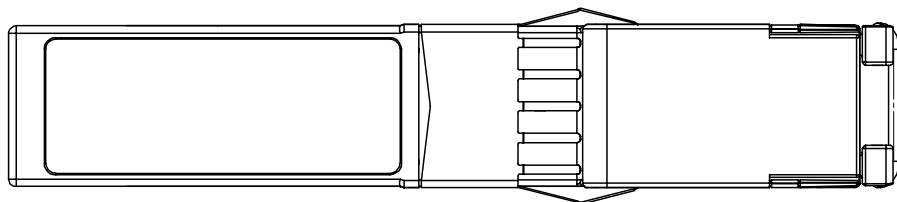


20 | 19 | 18 | 17 | 16 | 15 | 14 | 13 | 12 | 11 | 74741 | 9 | 8 | 7 | 6 | 5 | 4 | 3 | 2 | 1



FEATURES:

1. MEETS IEEE 802.3z, u. ab.
2. MEETS 1000BASE-T STANDARDS.
3. MATES WITH STANDARD SFP MSA SPECIFICATION COMPONENTS.
4. MATES WITH COMMON 1X4 AND OTHER GANGED SFP CAGES.
5. HOT PLUGGABLE.
6. REQUIRES <1 WATT OF POWER.
7. SERIAL ID.
8. SOFTWARE CONFIGURABLE.
9. 100 METER CAT-5 AT <10 BER.
10. CENTERED RJ-45 MOD JACK, CONFORMS TO 1U RACK.
11. .567 INCH SPACE REQUIRED BETWEEN ADJACENT CAGE ON TOP OR BOTTOM.
12. ROBUST ZINC ALLOY DIE CAST BODY, NICKEL PLATED.
13. EMI GROUNDING GIRDLE PROVIDES 13 CONTACT POINTS AROUND CAGE OPENING.
14. BAIL DE-LATCH SYSTEM, USES LIFT AND PULL ACTION TO REMOVE.

747410005	1000BASE-T SFP RJ-45 CENTERED. LOS GND,REV B1 PHY
747410006	1000BASE-T SFP RJ-45 CENTERED. LOS TOGGLE,REV B1 PHY

EC NO: USY2006-0424 DRWN:SNAAVARRO2006/05/11 CHKD:BRUSSELL 2006/05/11 APPR:BRUSSELL 2006/05/12	QUALITY SYMBOLS	GENERAL TOLERANCES (UNLESS SPECIFIED)	SCALE 5:1	DESIGN UNITS INCH	THIRD ANGLE PROJECTION	REVISE ON CAD ONLY
	▼ .0 ∇ .0	4 PLACES ± .0005 ± .0005 3 PLACES ± .0005 ± .0005 2 PLACES ± .0005 ± .0005 1 PLACE ± .0005 ± .0005	DIMENSION STYLE INCH ONLY DRAWN BY KLLLOYD DATE 2006/05/11 CHECKED BY BRUSSELL DATE 2006/05/11 APPROVED BY BRUSSELL DATE 2005/05/11	TITLE 1000 BASE-T SFP ADAPTER SALES DRAWING MOLEX INCORPORATED SEE CHART SD-74741-005		
		DRAFT WHERE APPLICABLE MUST REMAIN WITHIN DIMENSIONS		MATERIAL NO. SEE CHART DOCUMENT NO. SD-74741-005 SHEET NO. 1 OF 1		
		THIS DRAWING CONTAINS INFORMATION THAT IS PROPRIETARY TO MOLEX INCORPORATED AND SHOULD NOT BE USED WITHOUT WRITTEN PERMISSION				

19 | 18 | 17 | 16 | 15 | 14 | 13 | 12 | 11 | 10 | 9 | 8 | 7 | 6 | 5 | 4 | 3 | 2 | 1