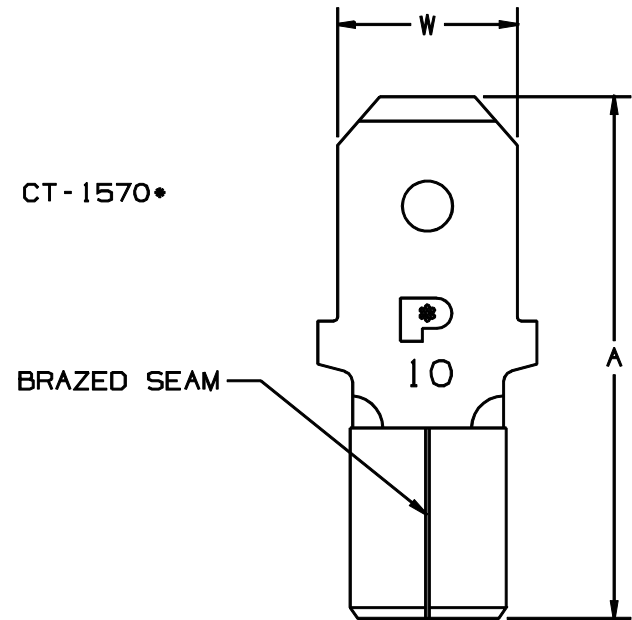


THIS COPY IS PROVIDED ON A RESTRICTED BASIS AND IS NOT TO BE USED IN ANY WAY DETRIMENTAL TO THE INTERESTS OF PANDUIT CORP.

PART NUMBER		TAB SIZE	WIRE RANGE AWG (mm ²)	DIMENSIONS in	
PREFIX	PK			A ^{±.03} (.8)	W ^{±.01} (.3)
D10-250M	-L -D	.250 X .032 (6.3 X 0.8)	12-10 (4.0-6.0)	.72 (18.3)	.25 (6.3)

NOTES:

1. USED FOR:
 - A. STRANDED COPPER WIRE ONLY
2. INSTALLATION TOOLS: CT-100, CT-200, CT-260, CT-570*, CT-1570*
3. WIRE STRIP LENGTH: 9/32 ^{+1/32}_{.0} (7.1 ^{+.8}_{.0})
4. MATERIAL
 - A. STAMPING: .032 (.81) THICK NICKEL PLATED COPPER
5. PACKAGING:
 - A. STD: -L = 50
 - B. BULK: -D = 500
6. DIMENSIONS IN BRACKETS ARE IN MILLIMETERS OR mm²



* APPROVED FOR USE WITH 14-10 AWG (2.5 - 6.0) WIRE WITH CT-570 & CT-1570 TOOLS

A41546_01

									PANDUIT CORP.	TINLEY PARK, ILLINOIS	
01	8/97	TM		WAS TIN PLATED, ADDED CT-1570 TOOL					12-10 .250 TAB NON-INSULATED MALE DISCONNECT		
00	9/92	BK	RS	RELEASED	01148	LA	JMO				
REV	DATE	BY	CHK	DESCRIPTION	ECN #	CUST	PM	DRAWN BY BDK	CHK'D	SCALE NONE	DRAWING NO./CAD FILENAME A41546