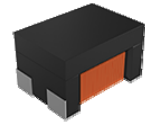


# Wire Wound Chip Common Mode Choke Coil –AMCW-L Series

Operating Temp. : -40°C~+125°C



## FEATURES

- Winding type, small size and low profile
- Manufactured with fully-automated processes for high reliability and consistent quality
- Excellent solderability
- AEC-Q200 verified

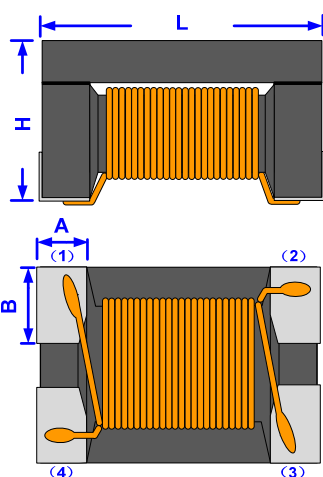
## APPLICATIONS

- Multimedia system, Ethernet, A<sup>2</sup>B

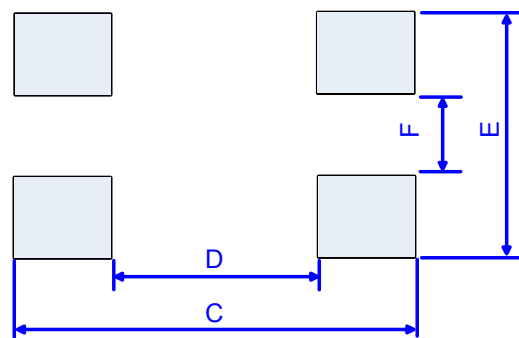
## PRODUCT IDENTIFICATION

①	②	③	④	⑤	⑥																														
<table border="1"> <tr><td colspan="2">Type</td></tr> <tr> <td>AMCW</td> <td>Winding Type Common Mode Choke Coil</td> </tr> </table>	Type		AMCW	Winding Type Common Mode Choke Coil	<table border="1"> <tr><td colspan="2">External Dimensions (L×W) (mm)</td></tr> <tr> <td>4532 [1812]</td> <td>4.5×3.2</td> </tr> <tr> <td>3225 [1210]</td> <td>3.2×2.5</td> </tr> </table>	External Dimensions (L×W) (mm)		4532 [1812]	4.5×3.2	3225 [1210]	3.2×2.5	<table border="1"> <tr><td colspan="2">Code</td></tr> <tr> <td>L</td> <td>Ethernet</td> </tr> </table>	Code		L	Ethernet	<table border="1"> <tr><td colspan="2">Number of Lines</td></tr> <tr> <td colspan="2">2</td> </tr> </table>	Number of Lines		2		<table border="1"> <tr><td colspan="2">Nominal Inductance</td></tr> <tr> <td>Example</td> <td>Nominal Value</td> </tr> <tr> <td>201</td> <td>200μH</td> </tr> <tr> <td>101</td> <td>100μH</td> </tr> </table>	Nominal Inductance		Example	Nominal Value	201	200μH	101	100μH	<table border="1"> <tr><td colspan="2">Packing</td></tr> <tr> <td>T</td> <td>Tape &amp; Reel</td> </tr> </table>	Packing		T	Tape & Reel
Type																																			
AMCW	Winding Type Common Mode Choke Coil																																		
External Dimensions (L×W) (mm)																																			
4532 [1812]	4.5×3.2																																		
3225 [1210]	3.2×2.5																																		
Code																																			
L	Ethernet																																		
Number of Lines																																			
2																																			
Nominal Inductance																																			
Example	Nominal Value																																		
201	200μH																																		
101	100μH																																		
Packing																																			
T	Tape & Reel																																		

## SHAPE AND DIMENSIONS



### Recommended Land Pattern



Unit: mm

Series	L	H	W	A	B	C	D	E	F
AMCW4532L	4.50±0.20	2.30±0.20	3.20±0.20	1.00	1.25	5.50	2.90	3.20	0.70
AMCW3225L	3.20±0.20	2.20±0.20	2.50±0.20	0.70	1.05	4.10	2.00	2.50	0.40

## SPECIFICATIONS

### AMCW4532L TYPE

Part Number	Inductance @100KHz/0.1V	DC Resistance	Rated Current	Rated Voltage	Insulation Resistance
		Max.			
Units	μH	Ω	mA	Volts	MΩ
Symbol	L	DCR	I <sub>rms</sub>	V <sub>DC</sub>	IR
AMCW4532L-2-201T	200(+50%/-25%)	4.5	110	50	10

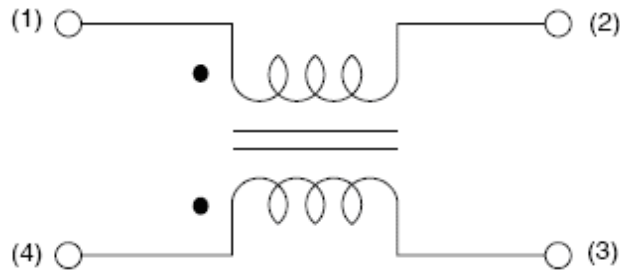
### AMCW3225L TYPE

Part Number	Inductance @100KHz/0.1V	DC Resistance	Rated Current	Rated Voltage	Insulation Resistance
		Max.			
Units	μH	Ω	mA	Volts	MΩ
Symbol	L	DCR	I <sub>rms</sub>	V <sub>DC</sub>	IR
AMCW3225L-2-101T	100(+50%/-30%)	1.5	150	80	10
AMCW3225L-2-201T	200(+50%/-20%)	4.0	70	80	10

1 .Storage temperature range (packaging conditions): -10°C~+40°C and RH 70% (Max.)

※: Products with other electrical characteristics can be provided upon customer's request. Please contact your local sales.

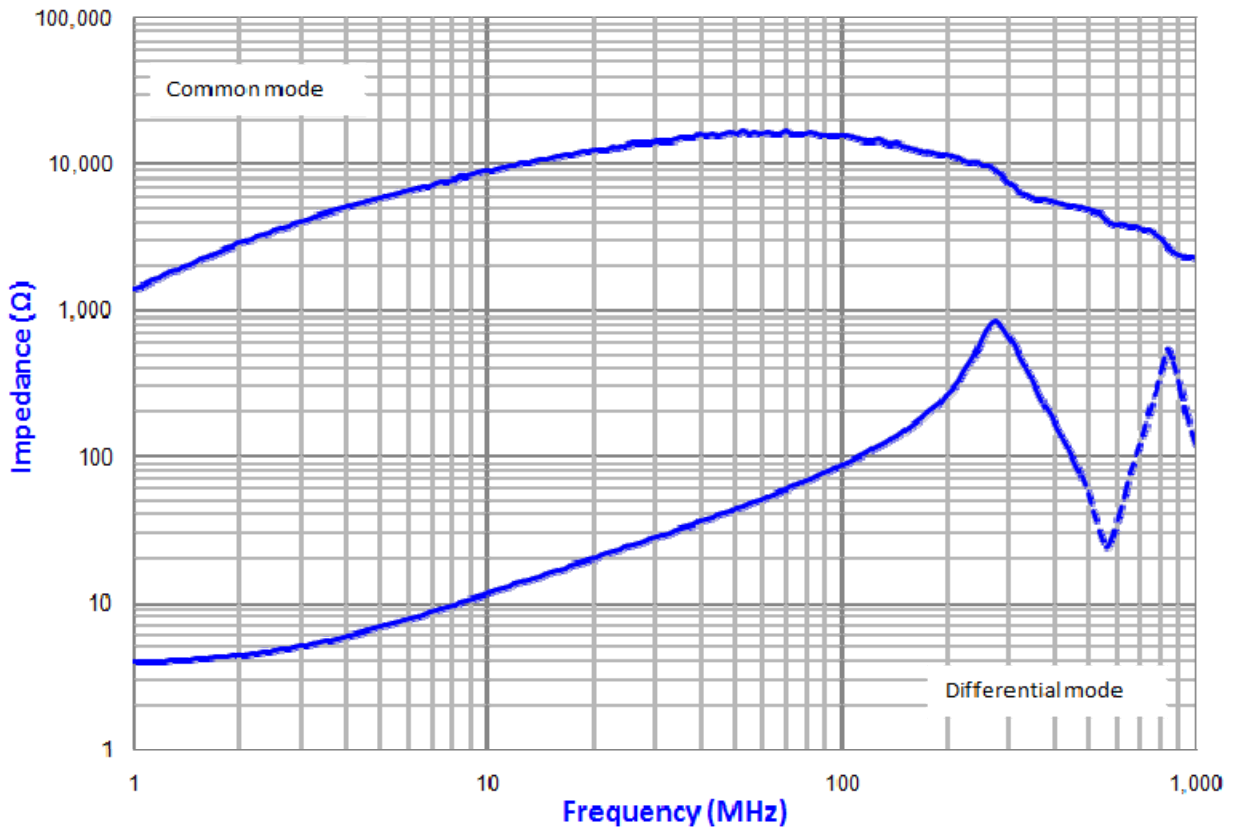
## EQUIVALENT CIRCUIT



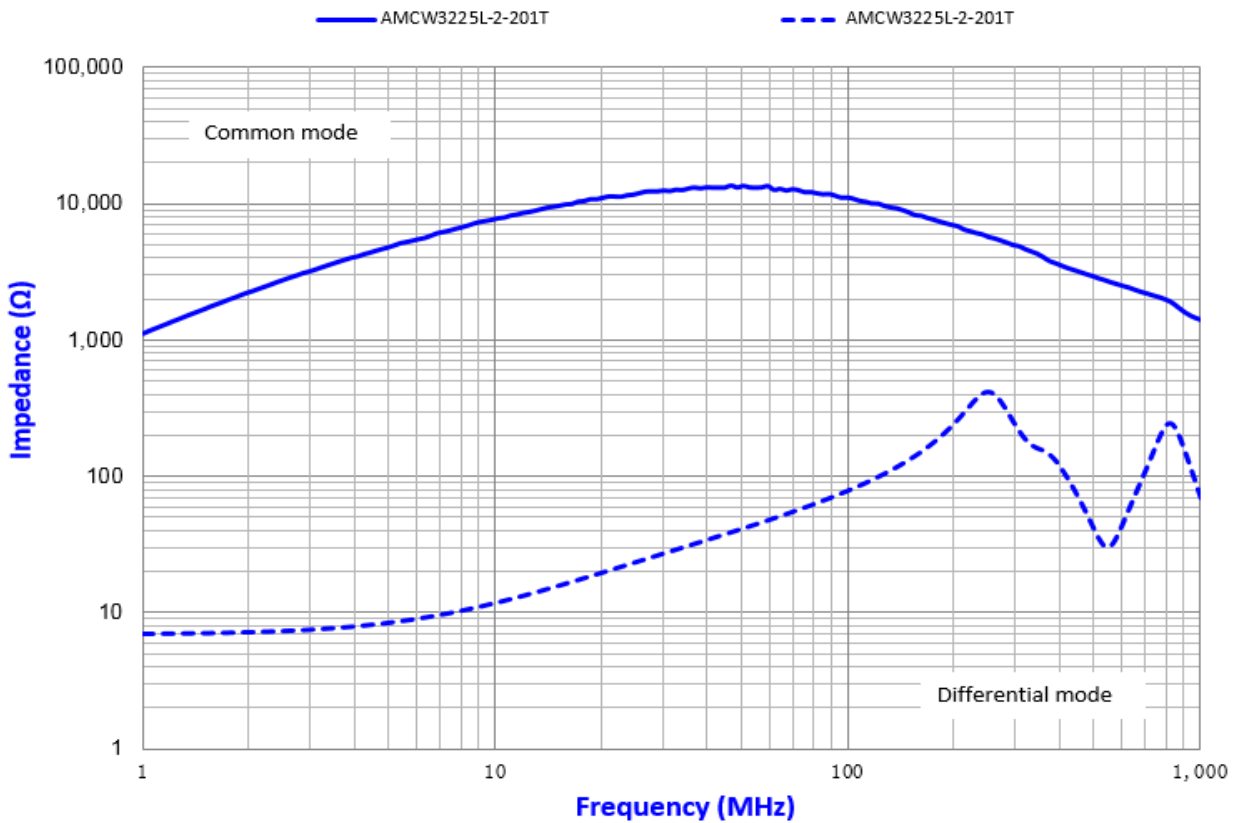
# TYPICAL ELECTRICAL CHARACTERISTICS

## Impedance vs. Frequency

AMCW4532L TYPE



AMCW3225L TYPE



# TYPICAL ELECTRICAL CHARACTERISTICS

## Impedance vs. Frequency

