

Surface Mount Ultra Fast Rectifiers

(Pb) Lead(Pb)-Free

Features:

- * For Surface Mount Application
- * Glass Passivated Chip
- * Low Reverse Leakage Current
- * Low Forward Voltage Drop And High Current Capability
- * Ultra Fast Switching For High Efficiency
- * Plastic Meterial Has UL Flammability Classification 94V-0

Mechanical Data

- * Case : Molded Plastic
- * Terminals: Solder Plated Terminal-Solderable per MIL-STD-202, Method 208
- * Polarity :Indicated by cathode band
- * Weight : 0.002 Ounce ,0.064 grams

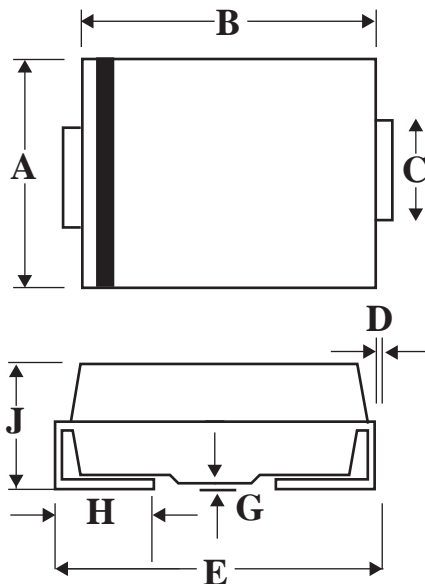
**REVERSE VOLTAGE
50 TO 1000 VOLTS
FORWARD CURRENT
1.0 AMPERE**



SMA(DO-214AC)

SMA Outline Dimension

Unit:mm



SMA		
Dim	Min	Max
A	2.20	2.92
B	4.00	4.60
C	1.27	1.63
D	0.15	0.31
E	4.48	5.59
G	0.10	0.20
H	0.76	1.52
J	1.70	2.62

Maximum Ratings and Electrical Characteristics

Rating 25°C Ambient Temperature Unless Otherwise Specified.

Single Phase Half Wave, 60Hz , Resistive or Inductive Load.

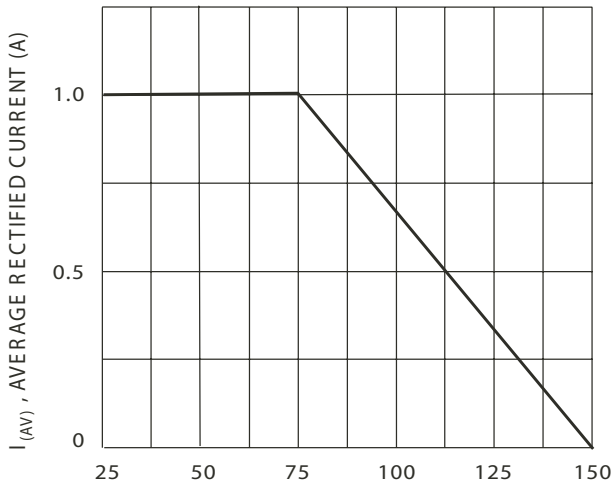
For Capacitive Load, Derate Current by 20%.

Characteristics	Symbol	US1A	US1B	US1D	US1G	US1J	US1K	US1M	Unit
Maximum Recurrent Peak Reverse Voltage	VRRM	50	100	200	400	600	800	1000	V
Maximum RMS Voltage	VRMS	35	70	140	280	420	560	700	
Maximum DC Blocking Voltage	VDC	50	100	200	400	600	800	1000	
Maximum Average Forward Rectified Current @T _T =75°C	IF(AV)	1.0							A
Peak Forward Surge Current, 8.3 ms Single Half Sine-Wave Superimposed on Rated Load (JEDEC Method)	IFSM	30							A
Maximum Instantaneous At 1.0A DC	VF	1.0		1.30	1.70				V
Maximum DC Reverse Current @T _A =25°C At Rated DC Blocking Voltage @T _A =100°C	IR	5.0			100				uA
Maximum Reverse Recovery Time(Note1)	T _{rr}	50			100		nS		
Typical Junction Capacitance (Note 2)	C _J	20			10		P _F		
Typical Thermal Resistance (Note 3)	R _{θJT}	75							°C/W
Operating Temperature Range	T _J	-55 to+150							°C
Storage Temperature Range	T _{STG}	-55 to+150							°C

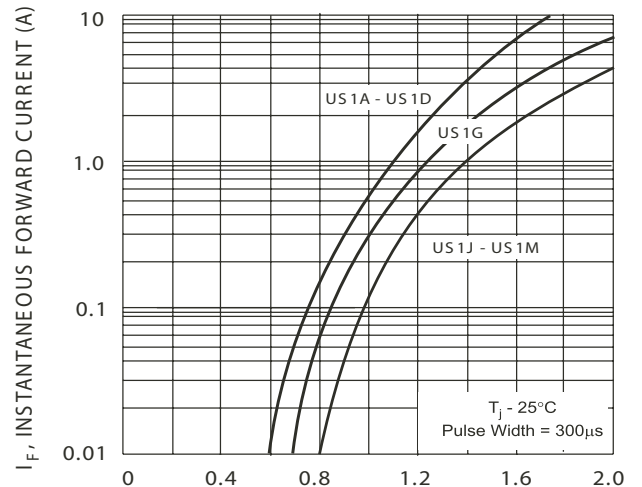
NOTES:1.Reverse Recovery Test Conditions: I_F=0.5A, I_R=1.0A, I_{RR}=0.25A.

2.Measured at 1.0MHz applied reverse voltage of 4.0V DC.

3.Unit Mounted on PC board with 5.0 mm²(0.03mm thick) land areas.



T_T , TERMINAL TEMPERATURE (°C)
FIG.1 Forward Current Derating Curve



V_F , INSTANTANEOUS FORWARD VOLTAGE (V)
FIG.2 Typical Forward Characteristics

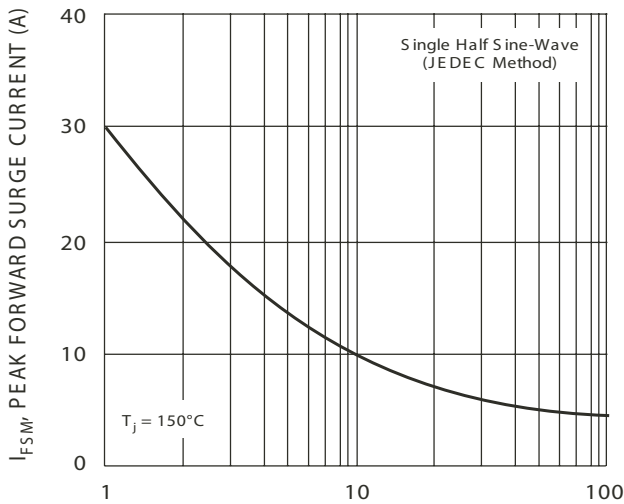


FIG.3 Forward Surge Current Derating Curve

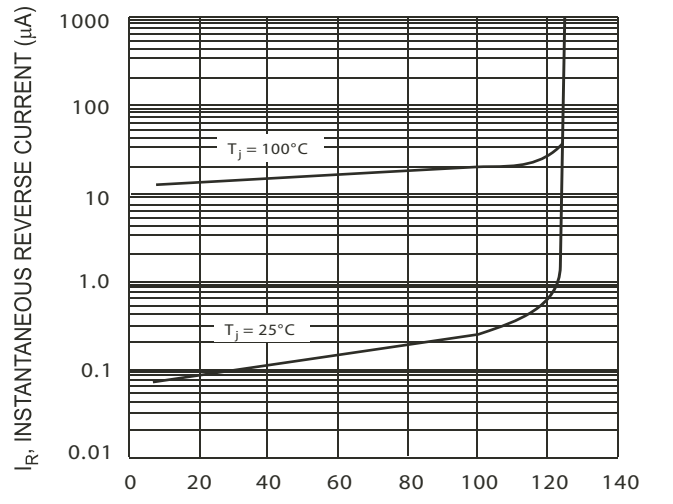
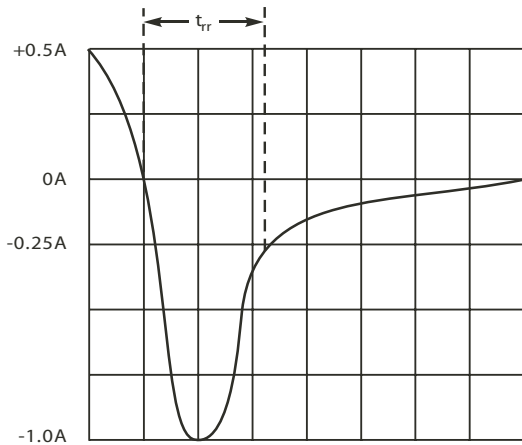
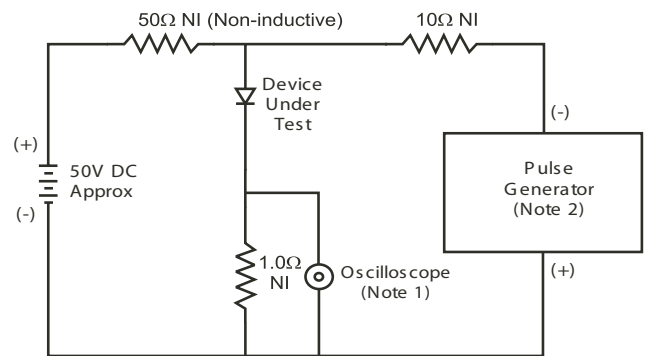


FIG.4 Typical Reverse Characteristics



Set time base for 50/100 ns/cm

FIG.5 Reverse Recovery Time Characteristic and Test Circuit



- Notes:
1. Rise Time = 7.0ns max. Input Impedance = 1.0MΩ, 22pF.
2. Rise Time = 10ns max. Input Impedance = 50Ω.