

THIS DRAWING IS UNPUBLISHED.

RELEASED FOR PUBLICATION

20

© COPYRIGHT 20 BY -

ALL RIGHTS RESERVED.

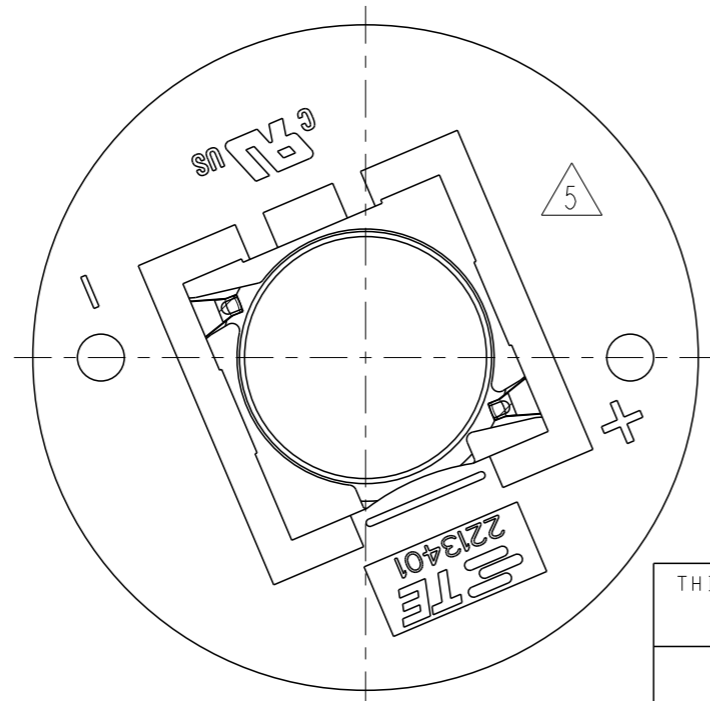
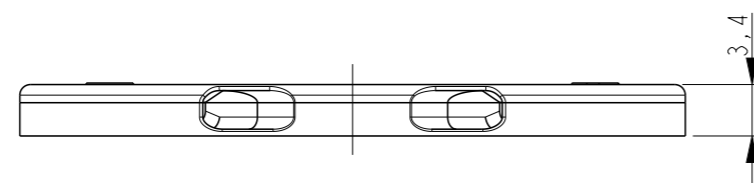
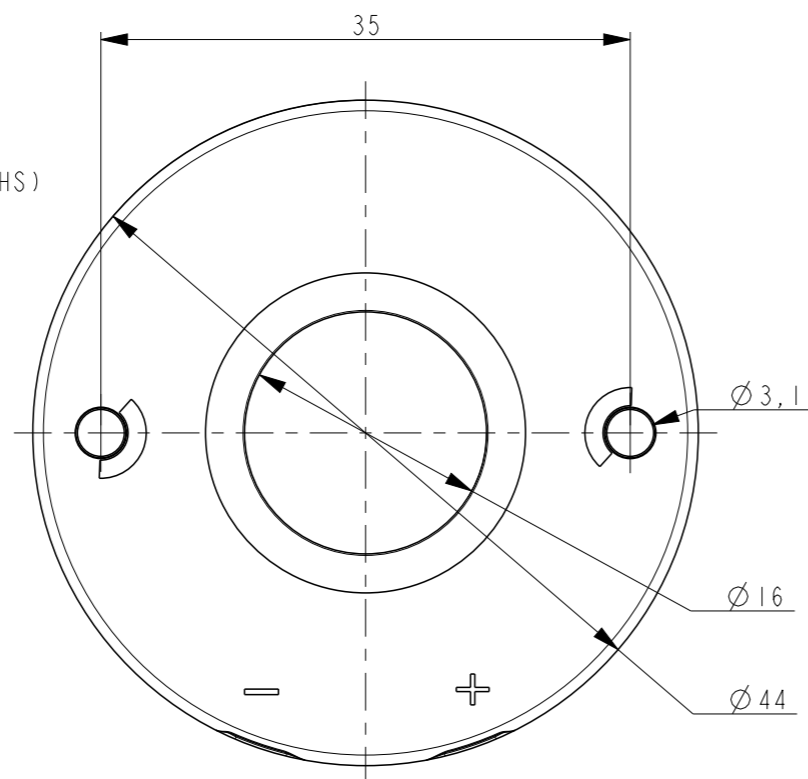
REVISIONS

P	LTR	DESCRIPTION	DATE	DWN	APVD
A2		UPDATED PER ECR-14-006733	07MAY2014	AB	OL
A3		ECR-16-001206	27JAN2016	KR	MvE
B		ECR-16-014667	17OCT2016	RK	MvE
B1		ECR-16-017027	01DEC2016	RK	MvE

NOTES:

- MATERIALS:  
HOUSING: GLASS FILLED PBT  
COLOR : NATURAL/WHITE  
CONTACTS: SILVER PLATED COPPER ALLOY
- FOR SOLID AND STRANDED WIRE AWG 22-18
- COMPLIES WITH DIRECTIVE 2002/95/EC (ROHS)
- M3 SCREW TO BE USED FOR MOUNTING

5 DATE CODE YY-WW-D ANY WHERE EXCEPT OVER LOGO OR +/- SIGN.



M3 SCREW HOLES

WIRE ENTRANCE

SCALE 3:2

LED CLAMPING FEATURE

LED PRESSURE CONTACTS

2213401-1 AS SHOWN  
LUMAWISE LED HOLDER Z50 LOW PROFILE

LUMAWISE LED HOLDER Z50 STANDARD PROFILE 1818	2213401-2
LUMAWISE LED HOLDER Z50 LOW PROFILE 1818	2213401-1
DESCRIPTION	PART NO

THIS DRAWING IS A CONTROLLED DOCUMENT.

DIMENSIONS:	TOLERANCES UNLESS OTHERWISE SPECIFIED:
mm	
	0 PLC ±-
	1 PLC ±-
	2 PLC ±-
	3 PLC ±-
	4 PLC ±-
	ANGLES ±2°
MATERIAL	FINISH
-	-
-	-

DWN	28OCT2013
YASHKUMAR	
CHK	28OCT2013
M.V.ESSEN	
APVD	29OCT2013
O.I.FIUNSE	
PRODUCT SPEC	108-133008
APPLICATION SPEC	114-32048
WEIGHT	-
CUSTOMER DRAWING	

**STE** TE Connectivity

NAME: LUMAWISE LED HOLDER Z50 1818

SIZE	CAGE CODE	DRAWING NO	RESTRICTED TO
A3	-	C-2213401	-

SCALE 2:1 SHEET 1 OF 3 REV B1

THIS DRAWING IS UNPUBLISHED.

RELEASED FOR PUBLICATION

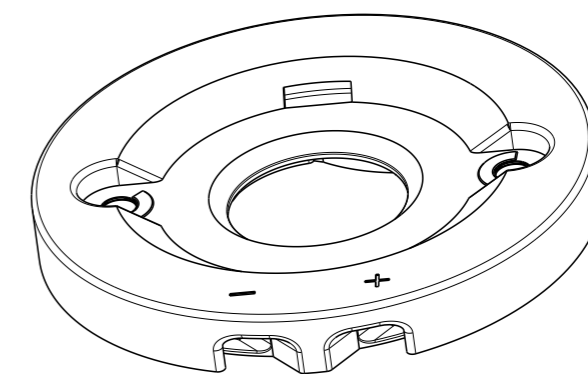
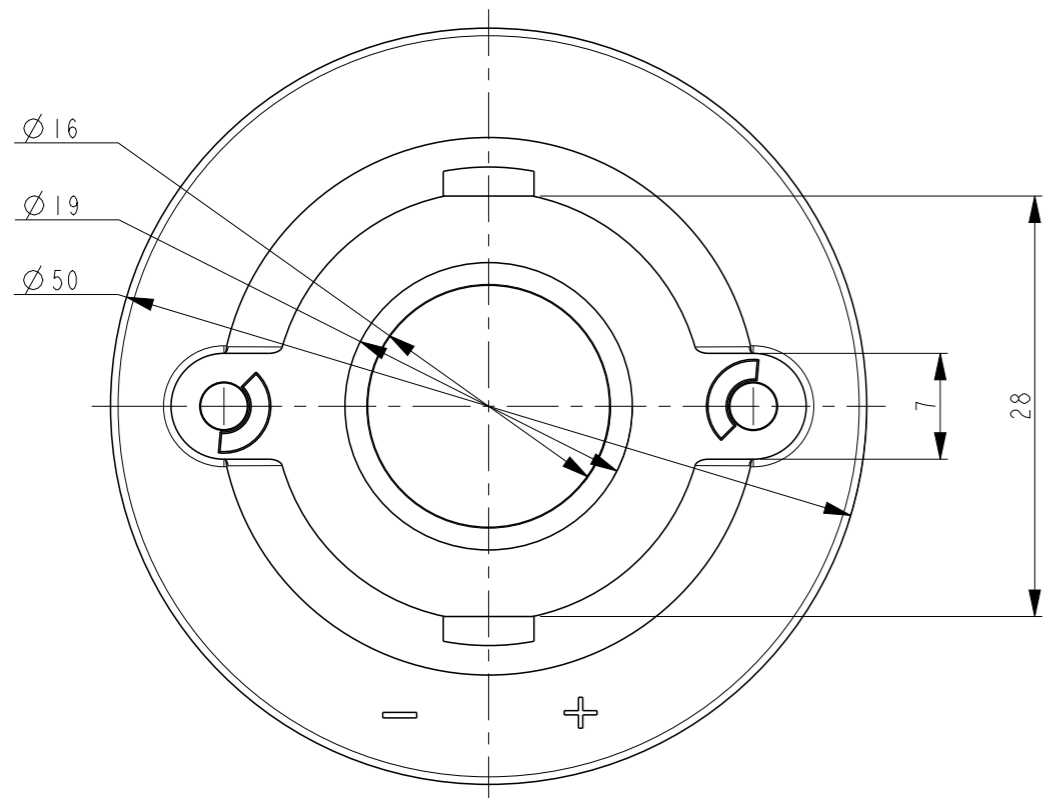
20

© COPYRIGHT 20 BY -

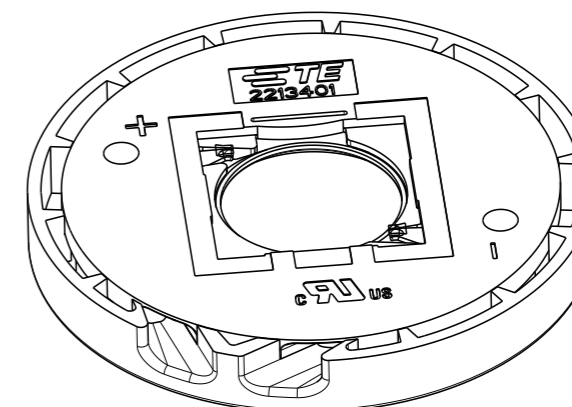
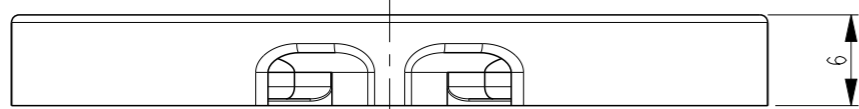
ALL RIGHTS RESERVED.

REVISIONS

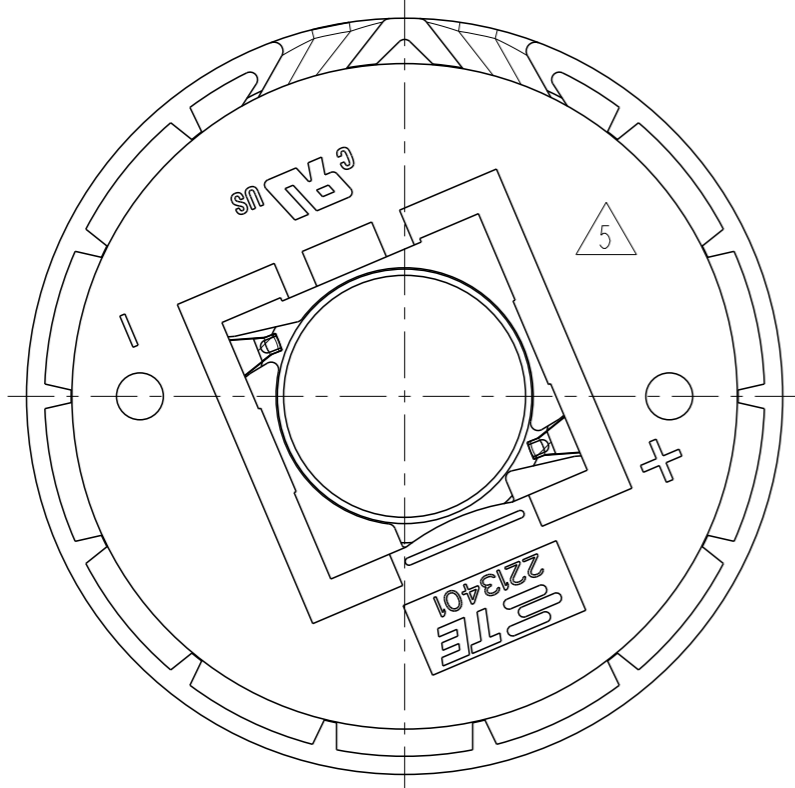
P	LTR	DESCRIPTION	DATE	DWN	APVD
-	-	SEE SHEET 1	-	-	-



SCALE 3:2



2213401-2 AS SHOWN  
LUMAWISE LED HOLDER Z50 STANDARD PROFILE



THIS DRAWING IS A CONTROLLED DOCUMENT.

DIMENSIONS: mm	TOLERANCES UNLESS OTHERWISE SPECIFIED:
	0 PLC ±·
	1 PLC ±·
	2 PLC ±·
	3 PLC ±·
	4 PLC ±·
	ANGLES ±2°
MATERIAL	FINISH
-	-
-	-

DWN	28OCT2013
YASHKUMAR	
CHK	28OCT2013
M.V.ESSEN	
APVD	29OCT2013
O.I.FIJNSE	
PRODUCT SPEC	108-133008
APPLICATION SPEC	114-32048
WEIGHT	-
CUSTOMER DRAWING	

TE Connectivity		NAME		RESTRICTED TO
		LUMAWISE LED HOLDER Z50 1818		
SIZE	CAGE CODE	DRAWING NO	-	
A3	-	C-2213401	-	
SCALE		SHEET	OF	REV
2:1		2	3	B1

4

3

2

1

THIS DRAWING IS UNPUBLISHED.

RELEASED FOR PUBLICATION

20

© COPYRIGHT 20

BY -

ALL RIGHTS RESERVED.

REVISIONS

P	LTR	DESCRIPTION	DATE	DWN	APVD
	-	SEE SHEET 1	-	-	-

THE SKETCH BELOW IS SHOWING THE NOMINAL LED COB DIMENSIONS TO MATCH WITH THE Z50 LED HOLDER 1818 FOR TECHNICAL DETAILS ABOUT A PROPER MATCH WITH A SPECIFIC LED COB ARRAY PLEASE CONTACT A REPRESENTATIVE AT TE-CONNECTIVITY

FOLLOWING LED TYPES ARE RELEASED FOR THIS HOLDER	DATA SHEET
BridgeLux H12	DS 100
Cree CXA 1812	CLD-DS 74
Cree CXA 1820	CLD-DS 78
Cree CXA 1830	CLD-DS 79

THIS DRAWING IS A CONTROLLED DOCUMENT.

DIMENSIONS:

mm

TOLERANCES UNLESS OTHERWISE SPECIFIED:

0 PLC	±.
1 PLC	±.
2 PLC	±.
3 PLC	±.
4 PLC	±.
ANGLES	±2°

MATERIAL

-

FINISH

-

DWN 28OCT2013

YASHKUMAR

CHK 28OCT2013

M.V.ESSEN

APVD 29OCT2013

O.I.FIJNSE

PRODUCT SPEC

108-133008

APPLICATION SPEC

114-32048

WEIGHT

-

NAME

LUMAWISE LED HOLDER Z50 1818

SIZE

A3

CAGE CODE

-

DRAWING NO

C-2213401

RESTRICTED TO

-

CUSTOMER DRAWING

SCALE 2:1

SHEET 3 OF 3

REV B1

1470-19 (3/13)