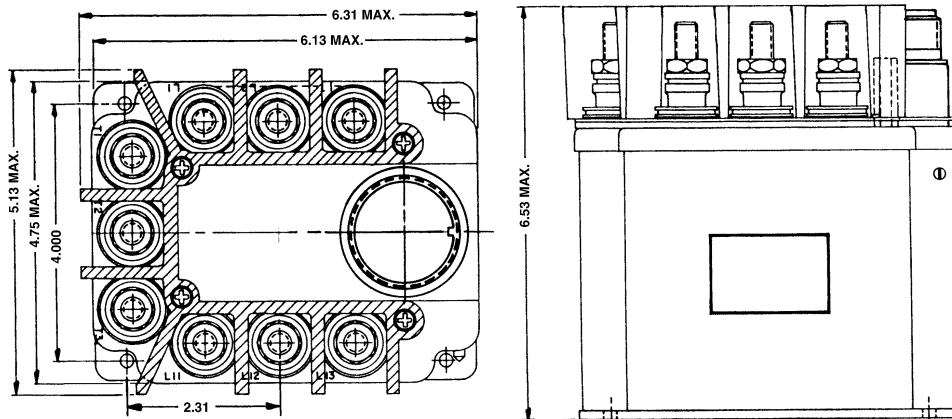


# BH-124AA 3PDT, Center Off, 250 Amps, 115/200 VAC, 400 Hz

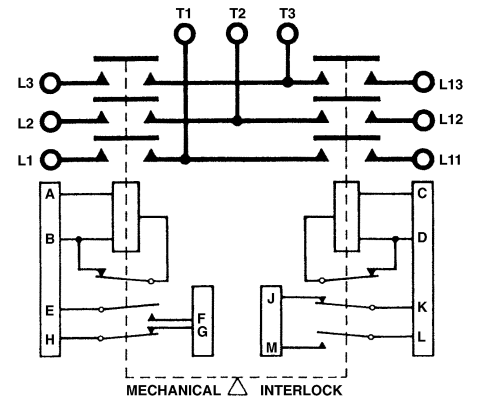
**Features:**

- 3PDT Center Off Main Contacts
- Mechanically Interlocked
- Hermetically Sealed
- Economizing Coil
- 115/200 VAC, 400 Hz
- 250 Amps
- High Reliability
- Meets many requirements of MIL-R-6106



Dimensions for this product are expressed in inches. Multiply values by 25.4 for millimeters.

**CONTACTOR CONFIGURATION**



**Notes:**

PRODUCT SPECIFICATIONS	
Construction	Hermetically Sealed
Main Contacts:	
Configuration	3PDT Center Off
Voltage (Nominal)	115/200 VAC, 400 Hz
Current (Resistive)	250 Amps
Auxiliary Contacts:	
Configuration	2-SPST N.O., 2-SPST N.C.
Voltage (Nominal)	28 VDC or 115 VAC, 400 Hz
Current	
Resistive	7 Amps
Inductive	7 Amps
Lamp	4 Amps
Coil Data:	
Duty Cycle	Continuous (Economizing)
Voltage (Nominal)	28 VDC
Pick-Up Voltage	18 VDC Maximum
Drop-Out Voltage	1 - 7 VDC
Coil current @ 28 VDC & +25°C	
In-Rush	3.3 Amps Maximum
Hold	0.4 Amps Maximum
Operating Temperature	-55°C to +71°C
Life:	
Electrical	50,000 Cycles
Mechanical	100,000 Cycles
Weight	10 Lbs. 10 Oz.

For factory-direct application assistance, contact the HARTMAN product team at (419) 521-9500, Fax (419) 526-2749.

© 2004 by Tyco Electronics Corporation. All Rights Reserved. HARTMAN and TYCO are trademarks.