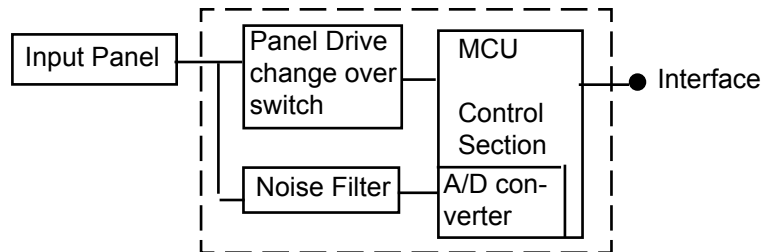


# STANDARD

## Resistive Touch Panel Specification

### FID-550 7-Wire Series

**RoHS compliant**



#### ■ FEATURES

- Superior long life, using a unique construction method offering improved life over typical technologies; by sensing data input only on the glass layer, typically a 10x improvement in product life is achieved.
- Excellent specification and high quality
  - Anti-Newton ring technology
  - High reliability materials
- Pen/Finger, Pen Only, Finger Only, Light Touch types available
- Transparency 80% - typical
- RoHS Compliant

#### ■ PART NUMBERS

Touch Panels:

| Part Number    | Size  | Type       |
|----------------|-------|------------|
| N010-0510-T303 | 17.0" | Pen/Finger |
| N010-0510-T304 | 17.0" | Pen/Finger |
| N010-0510-T236 | 15.0" | Pen/Finger |
| N010-0510-T219 | 15.0" | Pen/Finger |
| N010-0550-T717 | 12.1" | Pen/Finger |
| N010-0551-T742 | 12.1" | Pen/Finger |

| Part Number    | Size  | Type                                     |
|----------------|-------|--|
| N010-0551-T744 | 12.1" | Pen/Finger                               |
| N010-0550-T603 | 10.4" | Pen only                                 |
| N010-0550-T613 | 10.4" | Pen/Finger                               |
| N010-0550-T625 | 10.4" | Pen/Finger (light touch type)            |
| N010-0550-T627 | 10.4" | Pen/Finger (light touch type) 100mm tail |
| N010-0550-T345 | 8.4"  | Pen/Finger                               |

#### ■ PART NUMBERS

Controller Boards:

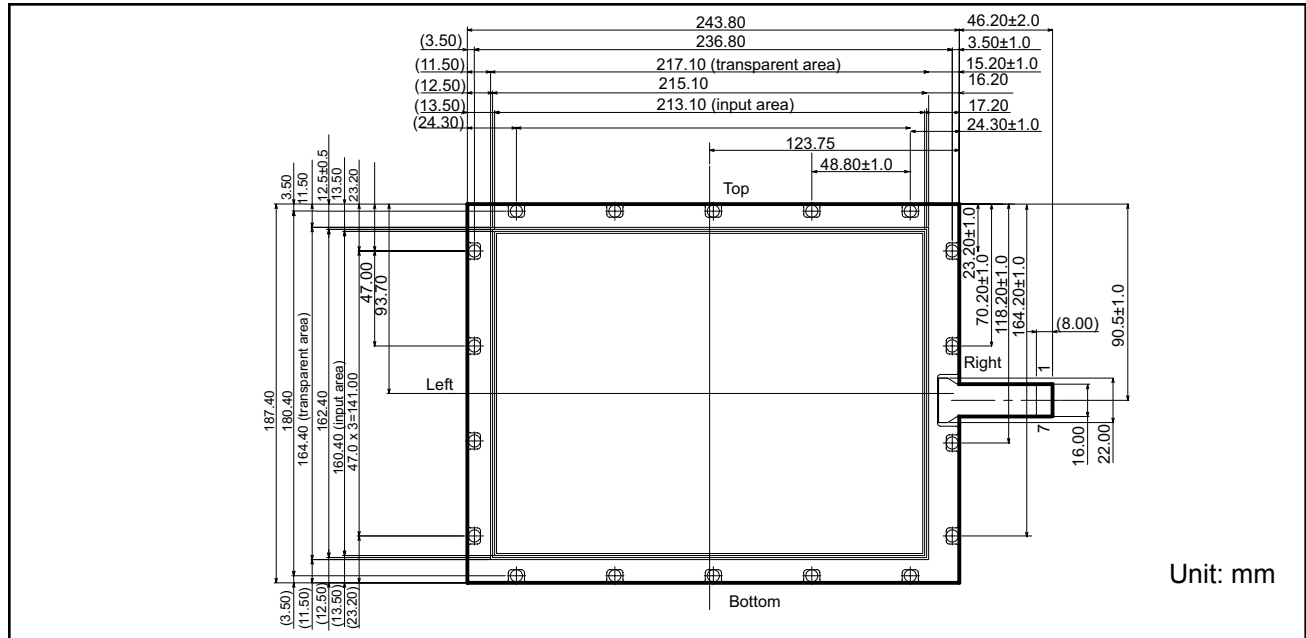
| Part Number    | Type          |
|----------------|---------------|
| N16B-0558-B280 | 7-Wire, RS232 |
| N16B-0558-B740 | 7-Wire, USB   |

#### ■ PART NUMBERS

Interface Controller Chips:

| Part Number    | Type          |
|----------------|---------------|
| N010-0559-V026 | 7-Wire, RS232 |
| NC41120-0017   | 7-Wire, USB   |

## ■ DIMENSION EXAMPLE (10.4" SHOWN)



## ■ DETAILED SPECIFICATION

### ■ 1.0 APPLICATION

This specification applies to the standard FID-550 series Touch Panel (Pen/Finger type).

### ■ 2.0 ADDITIONAL APPLICATIONS

Complete specification document is available upon request for customers with whom we have an approved NDA in place.

### ■ 3.0 DISCRIPTION AND BLOCK DIAGRAM

This panel in combination with a control IC chip is used to transfer the co-ordinates of the touched position to the host system (see block diagram above).

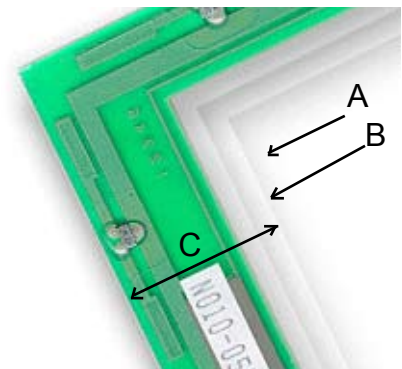
### ■ 4.0 DRAWING (Please see the diagram above.)

Definitions of the major dimensions indicated on this diagram:

**Effective Input Area (A)** Area guaranteed to meet all the characteristics detailed in this specification

**View / Transparent Area (B)** The area inside the adhesive zone or electrode pattern.

**Anti-input Area (C)** An insulating area allowed to protect the touch panel from giving false readings when an enclosure touches the panel.

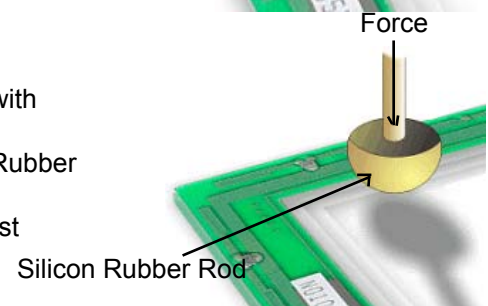


## ■ 5.0 CHARACTERISTICS

### ■ 5.1 MECHANICAL

**Operating Force** 0.05~0.49 N (5 ~ 50gF) Measured with a Silicon Measurement Rod R 8 (Round type 8mm) Silicon Rubber Hardness 60°C

**Hardness of Surface** Pencil hardness 3H minimum against specification JIS K-5400



### ■ 5.2 OPTICAL

**Transparency** 78% min measured in the effective input area to JIS K 7105 using a MURAKAMI SHIKISAI KENKYUSHO type IIR 100 meter. Typically 80%.

**Haze** 5% measured in the effective input area using a MURAKAMI SHIKISAI KENKYUSHO type IIR 100 meter with an Anti Glare treated surface.

## ■ 5.3 ELECTRICAL

|                                    |   |
|------------------------------------|---|
| <b>Location Accuracy:</b>          | ±2.5mm Measured over 9 points (See note 1)                            |
| <b>Linearity:</b>                  | 1.5%  |
| <b>Current Consumption:</b>        | 20mA max at DC 5V when applying 5VDC between pins 3 & 5               |
| <b>Switch Bounce (Chattering):</b> | 10ms min when using the silicon rubber measurement rod.               |
| <b>Insulation resistance:</b>      | 10MΩ minimum at 25KV DC applied between pins 3 & 7 or between 5 and 7 |
| <b>Dielectric Strength:</b>        | 25KV DC for 1 minute  |

### Note 1:

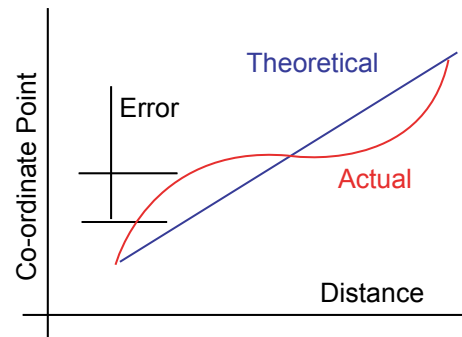
Measurement condition of linearity is corrected within the control IC. In general the location accuracy is specified as follows:

**Actual co-ordinate point - theoretical co-ordinate point = location accuracy.**

In general a 9 point co-ordinate calibration system is used to adjust the micro controller accuracy. (20 point can be used in combination with an EEPROM design).

### Note 2:

Pins 3, 5 and 7 are the glass and film connection points.



## ■ 5.4 ENVIRONMENTAL

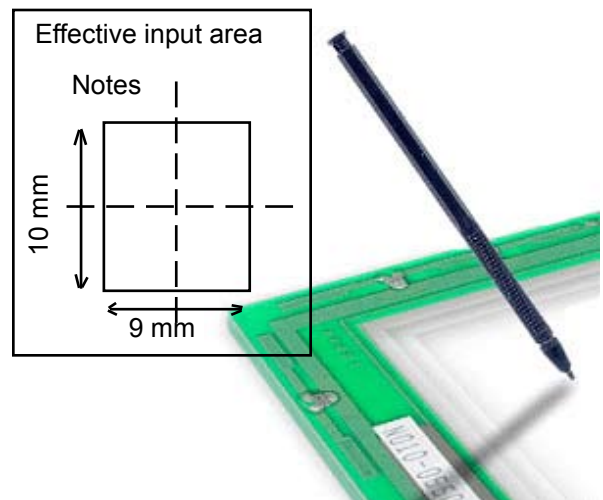
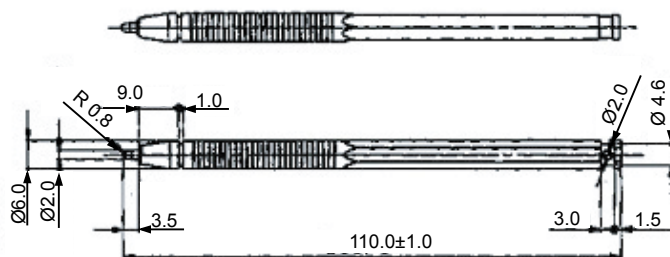
|                                   |  |
|-----------------------------------|--|
| <b>Operating Temperature (*):</b> | -5°C to 60°C   |
| <b>Storage Temperature:</b>       | -30°C to 70°C  |
| <b>Operating Humidity:</b>        | 20% to 90% RH with a Maximum wet bulb temperature of 38°C  |
| <b>Storage Humidity:</b>          | 10% ~ 90% RH with a Maximum wet bulb temperature of 38°C   |
| <b>Chemical Resistance:</b>       | Coating with the following chemicals and storing at room temperature for 2 hours gives no problems. 10% NaCl-water solution, ethyl-acetate, ethyl-alcohol, toluene, methyl-ethyl-ketone. |

## ■ 5.5 PEN LIFE

|                                |                          |
|--------------------------------|--------------------------|
| <b>Character Writing life:</b> | 1,000,000 words minimum  |
| <b>Touch Input life :</b>      | 10,000,000 times minimum |

### Note 1:

Words are written in the notes area and the size of the word is 7.5mm x 6.75mm. A word is any Alphabet / Number / Mark. The pen is as shown below and applies a force of 250g. A failure is judged to happen when the current consumption or insulation resistance or dielectric strength are not met as shown in 5.3. The location accuracy with 9 point calibration must be ±4.4 mm max.

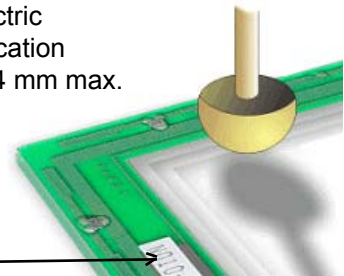


## ■ 5.6 FINGER LIFE



A finger is simulated by a silicon rubber plunger R8 (Round type 8mm size) hardness 60°C at 200g at frequency 5Hz.

A failure is judged to happen when the current consumption or insulation resistance or dielectric strength are not met as shown in 5.3. The location accuracy with 9 point calibration must be  $\pm 4.4$  mm max. Typical operating force is 150g max.



## ■ 5.7 INFORMATION ON THE PANEL

The panel part number is visible from the film side  
The production information is visible from the glass side.  
Production year 99 00 etc.

1 2 3 4 5 6 7 8 9 X Y Z or 1 2 3 4 5 6 7 8 9 X Y Z

January Production

□ 2 3 4 5 6 7 8 9 X Y Z or ○ 2 3 4 5 6 7 8 9 X Y Z

February Production

□ □ □ □ □ □ □ □ □ □ Z or 1 2 3 4 5 6 7 8 9 ○ Y Z

December Production

## ■ 6 PACKAGING

### ■ 6.1 PACKING SPECIFICATION

Vibration: 10~55 Hz at 1 Octave per minute 10G 20 cycles with one side 0.75mm

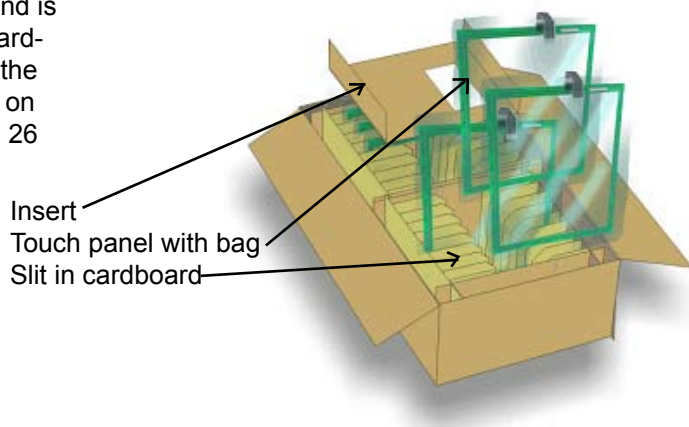
Drop test: 60cm Drop 1 corner, 3 crease lines and 6 faces. 1 each 1 time

After the test no glass: flaw or crack is seen, and no dent or scratch on the film.

Also glass and film must not separate.

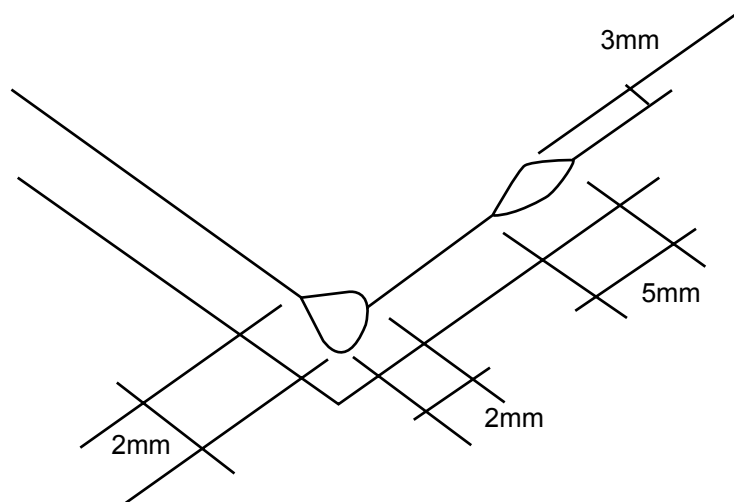
### ■ 6.1 PACKING DETAILS

Each touch panel is placed into a plastic bag and is held in place by a slit cut into the side of the cardboard. A second insertion piece is placed into the carton to again add stability. The qty is written on the side of the box. For example the T611 has 26 pieces per box.



■ **7.0 REJECT CRITERIA**

| Description                             |           | Reject Criteria   |   |
|---|-----------|---|---|
| Film Dent                               |           | Area $\geq 0.1\text{mm}^2$  | : to be zero  |
|   |           | Area $\geq 0.05\text{mm}^2$ & area $< 0.1\text{mm}^2$   | : to be max. 5 points                                     |
|   |           | Area $< 0.05\text{mm}^2$  | : none specified  |
| Foreign material between glass and film | Dot type  | Area $> 0.1\text{mm}^2$<br>Area $\geq 0.05\text{mm}^2$ & area $< 0.1\text{mm}^2$<br>Area $< 0.05\text{mm}^2$  | : to be zero<br>: to be max. 5 points<br>: none specified |
|   | Line type | Area $> 0.1\text{mm}$<br>Area $\geq 0.03\text{mm}$ & width $< 0.1\text{mm}$ and length $< 10\text{mm}$<br>Area $< 0.05\text{mm}$  | : to be zero<br>: to be max. 1 point<br>: none specified  |
| Scratch                                 |           | Area $\geq 0.1\text{mm}$<br>Area $\geq 0.03\text{mm}$ & width $< 0.1\text{mm}$ with length $< 80\text{mm}$<br>Area $< 0.03\text{mm}$ & width $< 0.1\text{mm}$ with length $< 30\text{mm}$ | : to be zero<br>: to be max. 1 point<br>: none specified  |
| Dot blur or hard coat missing           |           | Area $\geq 0.5\text{mm}^2$<br>Area $\geq 0.03\text{mm}^2$ & area $< 0.5\text{mm}^2$<br>Area $< 0.05\text{mm}^2$   | : to be zero<br>: to be max. 5 points<br>: none specified |
| Newton Ring                             |           | These must not be seen from Panel film side under a fluorescent lamp (3 wavelength type lamp). Not to be verified form glass side.  |   |
| Glass flaw                              |           | To be no flaw which is bigger than that shown in the following diagram. The number of flaws is not specified.   |   |



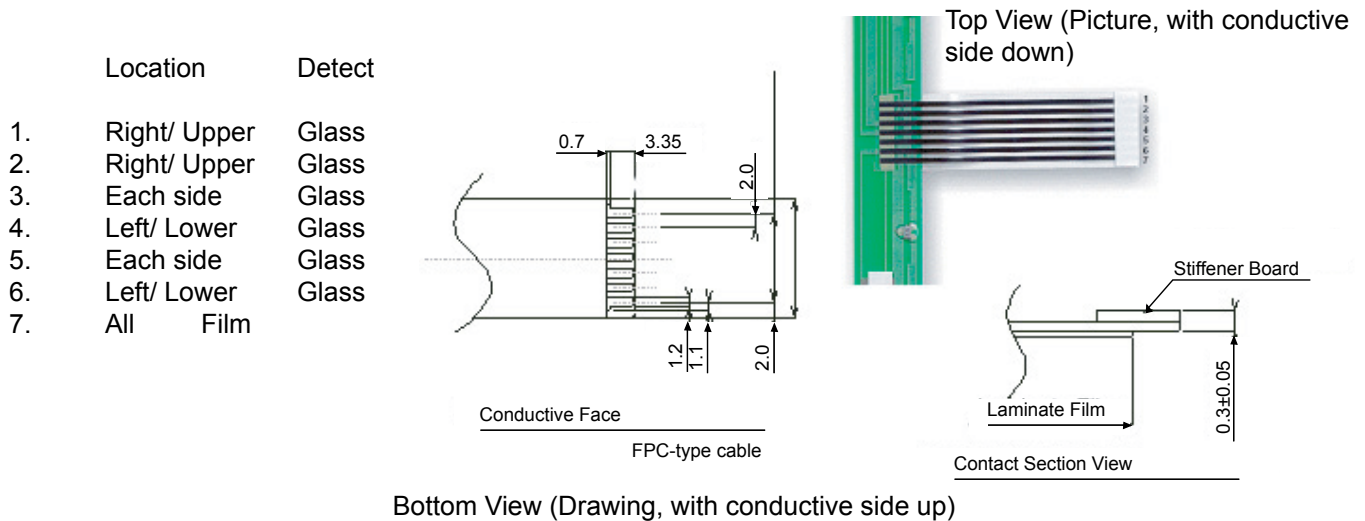
■ **8.0 GENERAL POINTS OF CAUTION**

Touch panels are made of glass, so care must be taken in handling them. Do not stress, pile, bend, lift by the cable or put any stress on the film, for example moving by film face vacuum. In order to clean wring dry a cloth which has been emersed in a natural detergent. DO NOT use any organic solvent, acid or alkali solution. Watch the edge of the panel when cleaning, again for safety reasons.

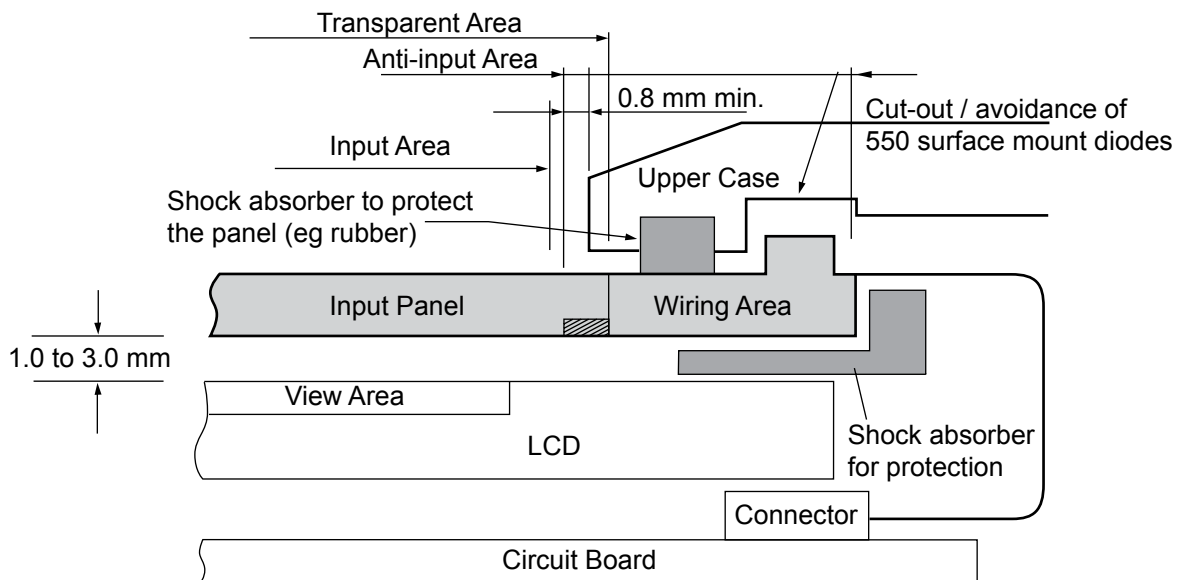
## ■ 9.0 CONNECTION AND MOUNTING

The details below indicate the recommended mounting structure for panel and enclosure. The enclosure support to fix the touch panel must be over 1.0mm I width and must be outside the view (Transparent area). Also ensure that the enclosure does not cause miss input by touching the view area.

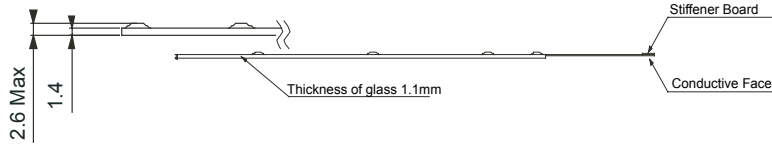
The following diagram shows that the enclosure edge must be between the View area and the guaranteed active area. Ensure space is allocated for the diodes, and we recommend that the material to fix the panel and enclosure is elastic. Special design would be required to stop water ingress. The corners of the touch panel are conductive so do not touch any metal parts after mounting.



(Mating connector type FCI or equivalent SFW15R-1STAE1-LF: for FPC)



## ■ 10.0 PANEL THICKNESS



## Fujitsu Components International Headquarter Offices

### Japan

Fujitsu Component Limited  
Gotanda-Chuo Building  
3-5, Higashigotanda 2-chome, Shinagawa-ku  
Tokyo 141 8630, Japan  
Tel: (81-3) 5449-7010  
Fax: (81-3) 5449-2626  
Email: [promothq@fcl.fujitsu.com](mailto:promothq@fcl.fujitsu.com)  
Web: [www.fcl.fujitsu.com](http://www.fcl.fujitsu.com)

### North and South America

Fujitsu Components America, Inc.  
250 E. Caribbean Drive  
Sunnyvale, CA 94089 U.S.A.  
Tel: (1-408) 745-4900  
Fax: (1-408) 745-4970  
Email: [components@us.fujitsu.com](mailto:components@us.fujitsu.com)  
Web: <http://us.fujitsu.com/components/>

### Europe

Fujitsu Components Europe B.V.  
Diamantlaan 25  
2132 WV Hoofddorp  
Netherlands  
Tel: (31-23) 5560910  
Fax: (31-23) 5560950  
Email: [info@fceu.fujitsu.com](mailto:info@fceu.fujitsu.com)  
Web: [emea.fujitsu.com/components/](http://emea.fujitsu.com/components/)

### Asia Pacific

Fujitsu Components Asia Ltd.  
102E Pasir Panjang Road  
#01-01 Citilink Warehouse Complex  
Singapore 118529  
Tel: (65) 6375-8560  
Fax: (65) 6273-3021  
Email: [fcsl@fcal.fujitsu.com](mailto:fcsl@fcal.fujitsu.com)  
Web: <http://www.fujitsu.com/sg/services/micro/components/>

©2007 Fujitsu Components America, Inc. All rights reserved. All trademarks or registered trademarks are the property of their respective owners.

Fujitsu Components America or its affiliates do not warrant that the content of datasheet is error free. In a continuing effort to improve our products Fujitsu Components America, Inc. or its affiliates reserve the right to change specifications/datasheets without prior notice.  
Rev. May 30, 2007.