

1.25G Spring-Latch SFP Transceiver

(For 80km transmission with monitoring function)

Members of Flexon™ Family



- ◆ Compatible with FDA 21 CFR 1040.10 and 1040.11, Class I
- ◆ Compatible with Telcordia GR-468-CORE
- ◆ RoHS compliant

Description

FTM-5112C-SL80iG SFP transceiver is high performance, cost effective module supporting 1.25Gbps and 80km transmission distance on SMF.

The transceiver consists of two sections: The transmitter section incorporates a DFB laser. And the receiver section consists of a PIN photodiode integrated with a trans-impedance preamplifier (TIA). All modules satisfy class I laser safety requirements.

The optical output can be disabled by a TTL logic high-level input of Tx Disable. Tx Fault is provided to indicate that degradation of the laser. Loss of signal (LOS) output is provided to indicate the loss of an input optical signal of receiver.

FTM-5112C-SL80iG provides an enhanced monitoring interface, which allows real-time access to device operating parameters such as transceiver temperature, laser bias current, transmitted optical power, received optical power and transceiver supply voltage. For further information, please refer to SFP MSA and SFF-8472 Rev 9.5.

FTM-5112C-SL80iG is compliant with RoHS.

Features

- ◆ Dual data-rate of 1.25Gbps operation
- ◆ 1550nm DFB laser and PIN photo-detector
- ◆ Monitoring interface compatible with SFF-8472
- ◆ SFP MSA package with duplex LC connector
- ◆ With Spring-Latch for high density application
- ◆ Very low EMI and excellent ESD protection
- ◆ +3.3V single power supply
- ◆ Operating case temperature:-40~+85°C

Applications

- ◆ Switch to Switch interface
- ◆ Switched backplane applications
- ◆ Router/Server interface
- ◆ Other optical transmission systems

Standard

- ◆ Compatible with SFP MSA
- ◆ Compatible with SFF-8472
- ◆ Compatible with IEEE 802.3z
- ◆ Compatible with FCC 47 CFR Part 15, Class B

Regulatory Compliance

The transceivers have been tested according to American and European product safety and electromagnetic compatibility regulations (See Table 1). For further information regarding regulatory certification, please refer to Flexon™ regulatory specification and safety guidelines, or contact with Fiberxon, Inc. America sales office listed at the end of the documentation.

Table 1 - Regulatory Compliance

Feature	Standard	Performance
Electrostatic Discharge (ESD) to the Electrical PINs	MIL-STD-883E Method 3015.7	Class 1(>500 V)
Electrostatic Discharge (ESD) to the Duplex LC Receptacle	IEC 61000-4-2 GR-1089-CORE	Compatible with standards
Electromagnetic Interference (EMI)	FCC Part 15 Class B EN55022 Class B (CISPR 22B) VCCI Class B	Compatible with standards
Immunity	IEC 61000-4-3	Compatible with standards
Laser Eye Safety	FDA 21CFR 1040.10 and 1040.11 EN60950, EN (IEC) 60825-1,2	Compatible with Class I laser product.
Component Recognition	UL and CSA	Compatible with standards
RoHS	2002/95/EC 4.1&4.2 2005/747/EC	Compliant with standards ^{note}

Note:

In light of item 5 in Annex of 2002/95/EC, "Pb in the glass of cathode ray tubes, electronic components and fluorescent tubes." and item 13 in Annex of 2005/747/EC, "Lead and cadmium in optical and filter glass.", the two exemptions are being concerned for Fiberxon's transceivers, because Fiberxon's transceivers use glass, which may contain Pb, for components such as lenses, windows, isolators, and other electronic components.

Absolute Maximum Ratings

Stress in excess of the maximum absolute ratings can cause permanent damage to the module.

Table 2 - Absolute Maximum Ratings

Parameter	Symbol	Min.	Max.	Unit
Storage Temperature	T _S	-40	+85	°C
Supply Voltage	V _{CC}	-0.5	3.6	V
Operating Relative Humidity	-	5	95	%
Input Optical Power	P _{max}		+5	dBm

Recommended Operating Conditions

Table 3- Recommended Operating Conditions

Parameter	Symbol	Min.	Typical	Max.	Unit
Operating Case Temperature	T _C	-40		+85	°C
Power Supply Voltage	V _{CC}	3.13		3.47	V

Date Rate	Gigabit Ethernet			1.25		Gbps
Fiber Length on 9/125µm SMF ^{Note}		L		80		km

Notes:

The transmission distance is indicative only. Please refer to the Optical Characteristics in Table 4 to calculate the exact distance based on specific conditions in your application. A 10dB inline optical attenuator should be inserted between the fiber-optic cable plant and the receiving port on the transceiver whenever the fiber-optic cable span is less than 25km; or a 5dB inline optical attenuator should be inserted whenever the fiber-optic cable span is equal to or more than 25km but less than 50km.

Optical and Electrical Characteristics**Table 4 - Optical and Electrical Characteristics (T_C=-40 to +85°C, V_{CC}=3.13 to 3.47V)**

Parameter	Symbol	Min.	Typical	Max.	Unit	Notes
Transmitter						
Centre Wavelength	λ_C	1500	1550	1580	nm	
Average Output Power	P _{Out}	0		5	dBm	1
P _{Out} @TX Disable Asserted	P _{Out}			-45	dBm	1
Spectral Width (-20dB)	$\Delta\lambda$			1	nm	
Extinction Ratio	EX	9			dB	
Rise/Fall Time (20%~80%)	t _r /t _f			0.26	ns	2
Total Jitter	1.25G	T _J		0.431	UI	3
Deterministic Jitter	1.25G	D _J		0.2	UI	3
Output Optical Eye	IEEE 802.3z Compatible					4
Data Input Swing Differential	V _{IN}	500		2400	mV	5
Input Differential Impedance	Z _{IN}	90	100	110	Ω	
TX Disable	Disable		2.0	V _{CC}	V	
	Enable		0	0.8	V	
TX Fault	Fault		2.0	V _{CC} +0.3	V	
	Normal		0	0.8	V	
Receiver						
Centre Wavelength	λ_C	1260		1580	nm	
Receiver Sensitivity				-22	dBm	6
Receiver Overload		-3			dBm	6
Return Loss		-27			dB	
LOS De-Assert	LOS _D			-23	dBm	
LOS Assert	LOS _A	-35			dBm	
LOS Hysteresis		1		4	dB	
Total Jitter	1.25G	T _J		0.749	UI	3
Deterministic Jitter	1.25G	D _J		0.462	UI	3
Data Output Swing Differential	V _{OUT}	400		2000	mV	5
LOS	High		2.0	V _{CC} +0.3	V	

	Low		0		0.8	V	
--	-----	--	---	--	-----	---	--

Notes:

1. The optical power is launched into SMF.
2. Unfiltered, measured with a PRBS 2^7-1 test pattern @1.25Gbps
3. Meet the specified maximum output jitter requirements if the specified maximum input jitter is present.
4. Measured with a PRBS 2^7-1 test pattern @1.25Gbps
5. CML logic, internally AC coupled.
6. Measured with a PRBS 2^7-1 test pattern @1.25Gbps, worst-case extinction ratio, BER $\leq 1 \times 10^{-12}$.

EEPROM Information

The SFP MSA defines a 256-byte memory map in EEPROM describing the transceiver's capabilities, standard interfaces, manufacturer, and other information, which is accessible over a 2 wire serial interface at the 8-bit address 1010000X (A0h). The memory contents refer to Table 5.

Table 5 - EEPROM Serial ID Memory Contents (A0h)

Addr.	Field Size (Bytes)	Name of Field	Hex	Description
0	1	Identifier	03	SFP
1	1	Ext. Identifier	04	MOD4
2	1	Connector	07	LC
3—10	8	Transceiver	00 00 00 02 12 00 01 01	Transmitter Code
11	1	Encoding	01	8B10B
12	1	BR, nominal	0D	1.25Gbps
13	1	Reserved	00	
14	1	Length (9um)-km	50	80km
15	1	Length (9um)	FF	
16	1	Length (50um)	00	
17	1	Length (62.5um)	00	
18	1	Length (copper)	00	
19	1	Reserved	00	
20—35	16	Vendor name	46 49 42 45 52 58 4F 4E 20 49 4E 43 2E 20 20 20	"FIBERXON INC." (ASC II)
36	1	Reserved	00	
37—39	3	Vendor OUI	00 00 00	
40—55	16	Vendor PN	46 54 4D 2D 35 31 31 32 43 2D 53 4C 38 30 45 47	"FTM-5112C-SL80iG" (ASC II)
56—59	4	Vendor rev	xx xx 20 20	ASC II ("31 30 20 20" means 1.0 revision)
60-61	2	Wavelength	06 0E	1550nm
62	1	Reserved	00	
63	1	CC BASE	xx	Check sum of bytes 0 - 62
64—65	2	Options	00 1A	LOS, TX_FAULT and TX_DISABLE
66	1	BR, max	00	
67	1	BR, min	00	
68—83	16	Vendor SN	xx xx xx xx xx xx xx xx	ASC II

			xx xx xx xx xx xx xx xx	
84—91	8	Vendor date code	xx xx xx xx xx xx 20 20	Year(2 bytes), Month(2 bytes), Day (2 bytes)
92	1	Diagnostic type	68	Diagnostics (Int.Cal)
93	1	Enhanced option	B0	Diagnostics(Optional Alarm/warning flags, Soft TX_FAULT and Soft TX_LOS monitoring)
94	1	SFF-8472	02	Diagnostics(SFF-8472 Rev 9.4)
95	1	CC_EXT	xx	Check sum of bytes 64 - 94
96—255	160	Vendor specific		

Note: The “xx” byte should be filled in according to practical case. For more information, please refer to the related document of SFF-8472 Rev 9.5.

Monitoring Specification

The digital diagnostic monitoring interface also defines another 256-byte memory map in EEPROM, which makes use of the 8 bit address 1010001X (A2h). Please see Figure 1. For detail EEPROM information, please refer to the related document of SFF-8472 Rev 9.5. The monitoring specification of this product is described in Table 6.

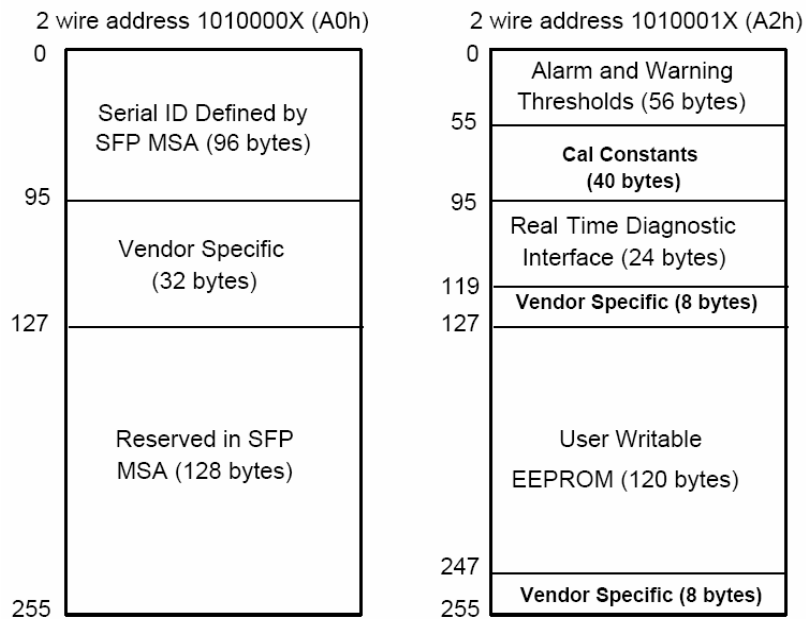


Figure 1, EEPROM Memory Map Specific Data Field Descriptions

Table 6 - Monitoring Specification

Parameter	Range	Accuracy	Calibration*
Temperature	-40 to +95°C	±3°C	Internal
Voltage	3.0 to 3.6V	±3%	Internal
Bias Current	0 to 100mA	±10%	Internal
TX Power	0 to 5dBm	±3dB	Internal
RX Power	-22 to -3dBm	±3dB	Internal

Recommended Host Board Power Supply Circuit

Figure 2 shows the recommended host board power supply circuit.

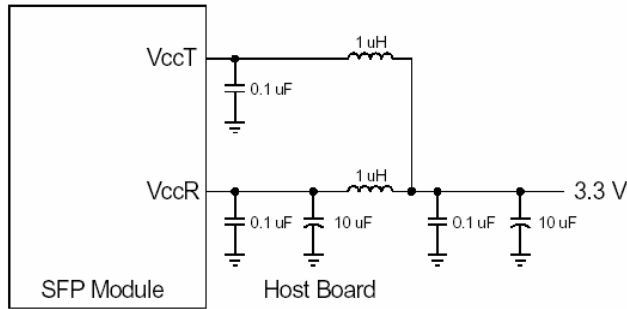


Figure 2, Recommended Host Board Power Supply Circuit

Recommended Interface Circuit

Figure 3 shows the recommended interface circuit.

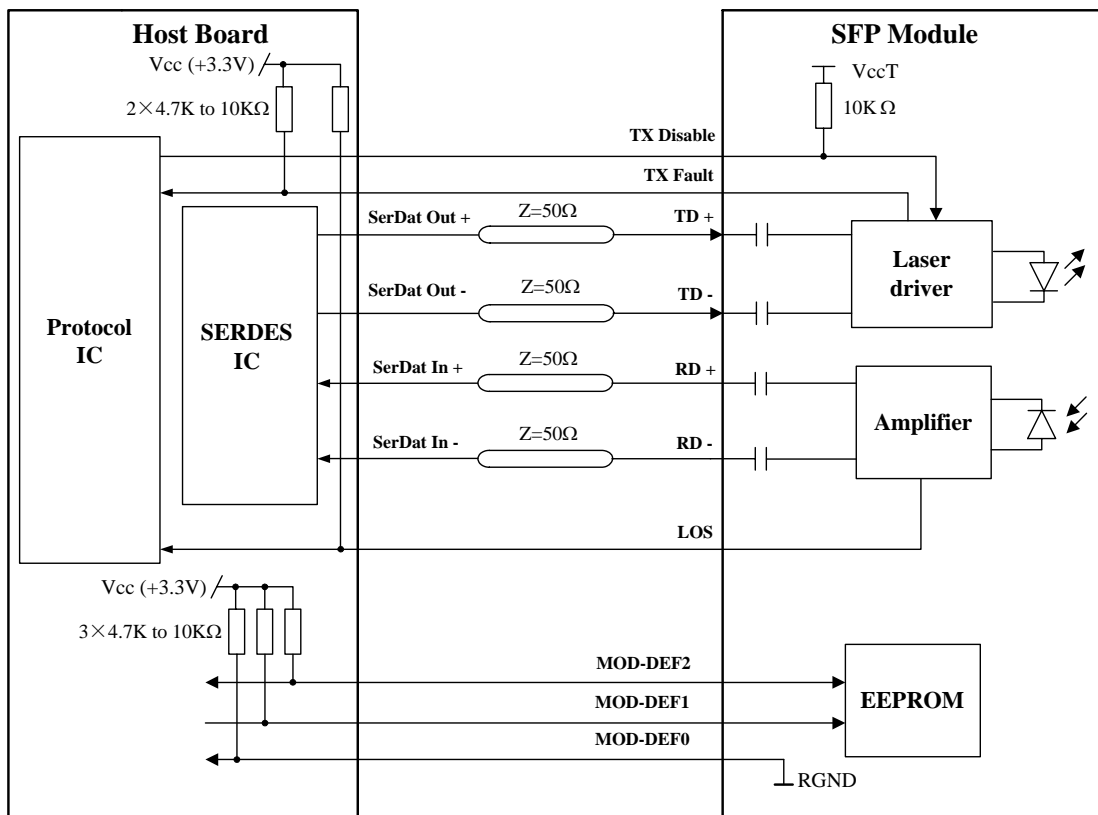


Figure 3, Recommended Interface Circuit

PIN Definitions

Figure 4 below shows the PIN numbering of SFP electrical interface. The PIN functions are described in Table 7 with some accompanying notes.

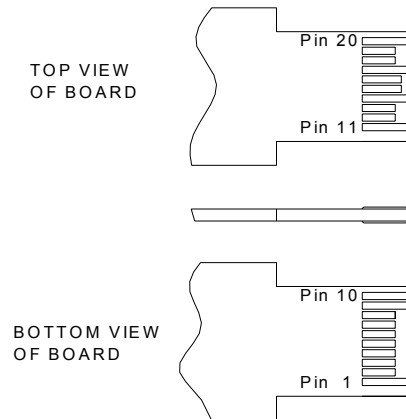


Figure 4, PIN View

Table 7– PIN Function Definitions

PIN No.	Name	Function	Plug Seq.	Notes
1	VeeT	Transmitter Ground	1	
2	TX Fault	Transmitter Fault Indication	3	Note 1
3	TX Disable	Transmitter Disable	3	Note 2
4	MOD-DEF2	Module Definition 2	3	Note 3
5	MOD-DEF1	Module Definition 1	3	Note 3
6	MOD-DEF0	Module Definition 0	3	Note 3
7	Rate Select	Not Connected	3	
8	LOS	Loss of Signal	3	Note 4
9	VeeR	Receiver Ground	1	
10	VeeR	Receiver Ground	1	
11	VeeR	Receiver Ground	1	
12	RD-	Inv. Received Data Out	3	Note 5
13	RD+	Received Data Out	3	Note 5
14	VeeR	Receiver Ground	1	
15	VccR	Receiver Power	2	
16	VccT	Transmitter Power	2	
17	VeeT	Transmitter Ground	1	
18	TD+	Transmit Data In	3	Note 6
19	TD-	Inv. Transmit Data In	3	Note 6
20	VeeT	Transmitter Ground	1	

Notes:

- TX Fault is an open collector output, which should be pulled up with a 4.7k~10kΩ resistor on the host board to a voltage between 2.0V and Vcc+0.3V. Logic 0 indicates normal operation; logic 1 indicates a laser fault of some kind. In the low state, the output will be pulled to less than 0.8V.
- TX Disable is an input that is used to shut down the transmitter optical output. It is pulled up within the

module with a 4.7k~10kΩ resistor. Its states are:

- Low (0~0.8V): Transmitter on
- (>0.8V, <2.0V): Undefined
- High (2.0~3.465V): Transmitter Disabled
- Open: Transmitter Disabled

3. MOD-DEF 0,1,2 are the module definition PINs. They should be pulled up with a 4.7k~10kΩ resistor on the host board. The pull-up voltage shall be VccT or VccR.
 MOD-DEF 0 is grounded by the module to indicate that the module is present
 MOD-DEF 1 is the clock line of two wire serial interface for serial ID
 MOD-DEF 2 is the data line of two wire serial interface for serial ID
4. LOS is an open collector output, which should be pulled up with a 4.7k~10kΩ resistor on the host board to a voltage between 2.0V and Vcc+0.3V. Logic 0 indicates normal operation; logic 1 indicates loss of signal. In the low state, the output will be pulled to less than 0.8V.
5. These are the differential receiver output. They are internally AC-coupled 100Ω differential lines which should be terminated with 100Ω (differential) at the user SERDES.
6. These are the differential transmitter inputs. They are AC-coupled, differential lines with 100Ω differential termination inside the module.

Mechanical Design Diagram

The mechanical design diagram is shown in Figure 5.

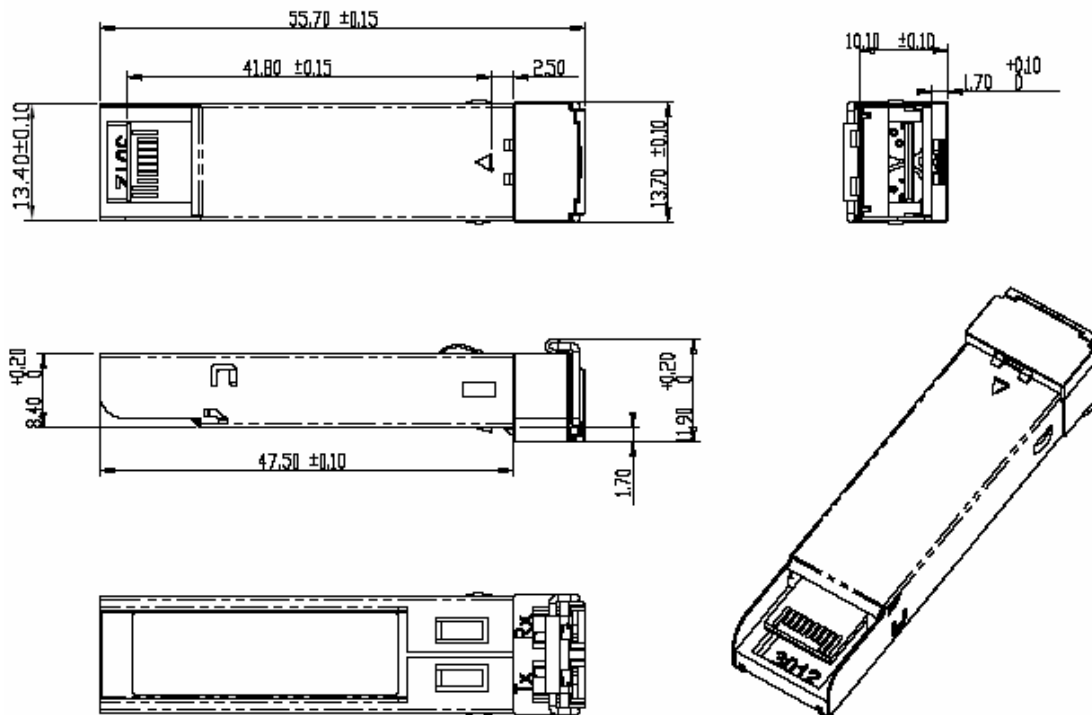
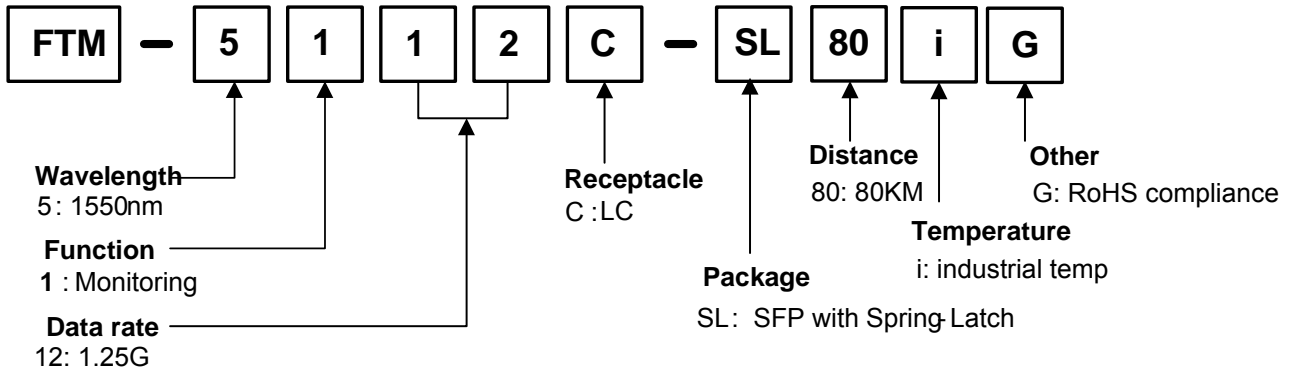


Figure 5, Mechanical Design Diagram of the SFP with Spring- Latch

Ordering information



Part No.	Product Description
FTM-5112C-SL80iG	1550nm, 1.25, 80km, RoHS compliant, SFP with Spring-Latch, -40°C~+85°C

Related Documents

For further information, please refer to the following documents:

- *Fiberxon Spring-Latch SFP Installation Guide*
- *Fiberxon SFP Application Notes*
- *SFP Multi-Source Agreement (MSA)*

Obtaining Document

You can visit our website:

<http://www.fiberxon.com>

Or contact with Fiberxon, Inc. America Sales Office listed at the end of documentation to get the latest documents.

Revision History

Revision	Initiate	Review	Approve	Subject	Release Date
Rev. 1a	Henry.xiao	Simon.Jiang	Walker.We	Initial datasheet	Apr 9, 2006

© **Copyright Fiberxon Inc. 2007**

All Rights Reserved.

All information contained in this document is subject to change without notice. The products described in this document are NOT intended for use in implantation or other life support applications where malfunction may result in injury or death to persons.

The information contained in this document does not affect or change Fiberxon product specifications or warranties. Nothing in this document shall operate as an express or implied license or indemnity under the intellectual property rights of Fiberxon or third parties. All information contained in this document was obtained in specific environments, and is presented as an illustration. The results obtained in other operating environment may vary.

THE INFORMATION CONTAINED IN THIS DOCUMENT IS PROVIDED ON AN "AS IS" BASIS. In no event will Fiberxon be liable for damages arising directly from any use of the information contained in this document.

Contact

U.S.A. Headquarter:

5201 Great America Parkway, Suite 340

Santa Clara, CA 95054

U. S. A.

Tel: 408-562-6288

Fax: 408-562-6289

Or visit our website: <http://www.fiberxon.com>