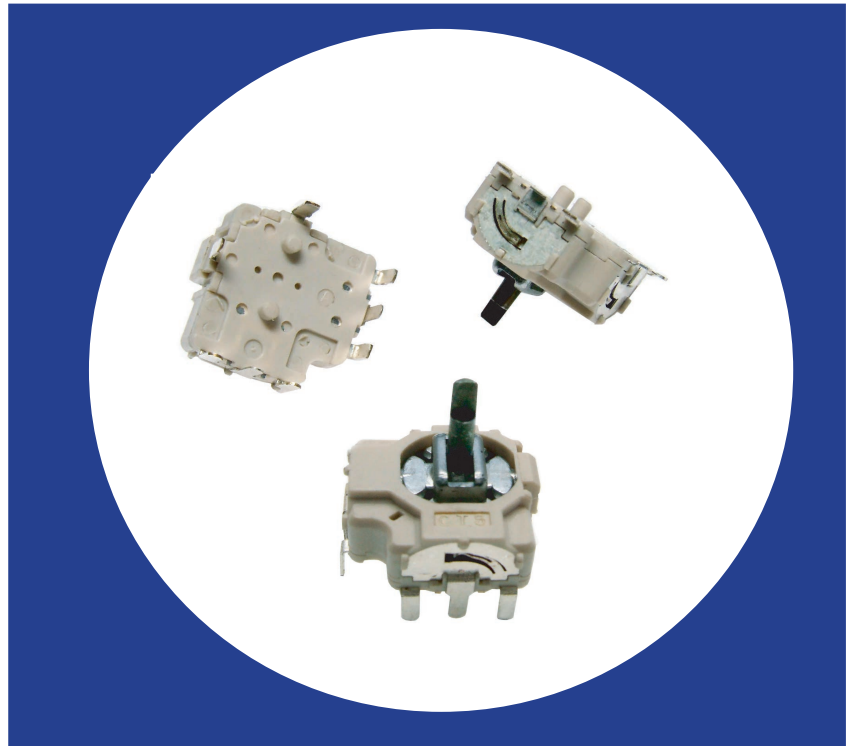


Two Axis, Micro-stick Controller With Optional Momentary Switch

Features

- Sub-Compact Size: 11x11x5 (mm)
- Long Life 1 Million Cycles
- Provides excellent electrical accuracy through patented mechanism
- Optional momentary switch is operational at all rotations
- RoHS compliant



Electrical and Mechanical Specifications

Potentiometer 1 & 2

Resistance Range

10 K ohms through 100 K ohms

Resistance Tolerance

Standard: $\pm 30\%$

Special: $\pm 20\%$ available

Dielectric Strength

250 VAC 50/60 Hz for 1 minute

Insulation Resistance

100 Megohms @ 250 VDC

Operational Torque

120 ± 50 gf-cm

Power Rating

0.0125 watt @ 50°C, derated to no load @ 85°C

Maximum Operating Voltage

50 VAC or 5 VDC maximum

Angle of Rotation

60° maximum

Life

1,000,000 cycles

Available Switch

Type

Momentary

Contact Resistance

100 milliohms maximum

Maximum Contact Resistance

200 milliohms maximum after 200,000 cycles
switching 5mA @ 5VDC

Insulation Resistance

100 Megaohms minimum @ 100 VDC

Operational Force

800 \pm 200 gf

Power Rating

5 VDC, 5 mA maximum

Travel

0.8 \pm 0.2mm

Switch Life

200,000 cycles

Electrical and Mechanical Specifications

Potentiometer 1 & 2

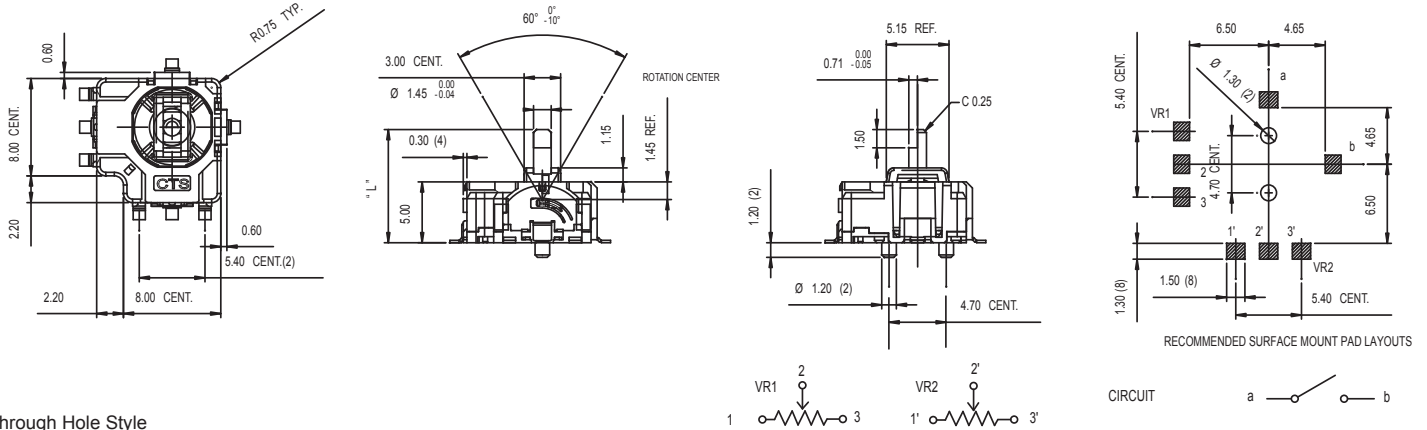
Operating Temperature
Operating: -10°C to +70°C

Soldering Heat Resistance
260±5°C for 5 seconds

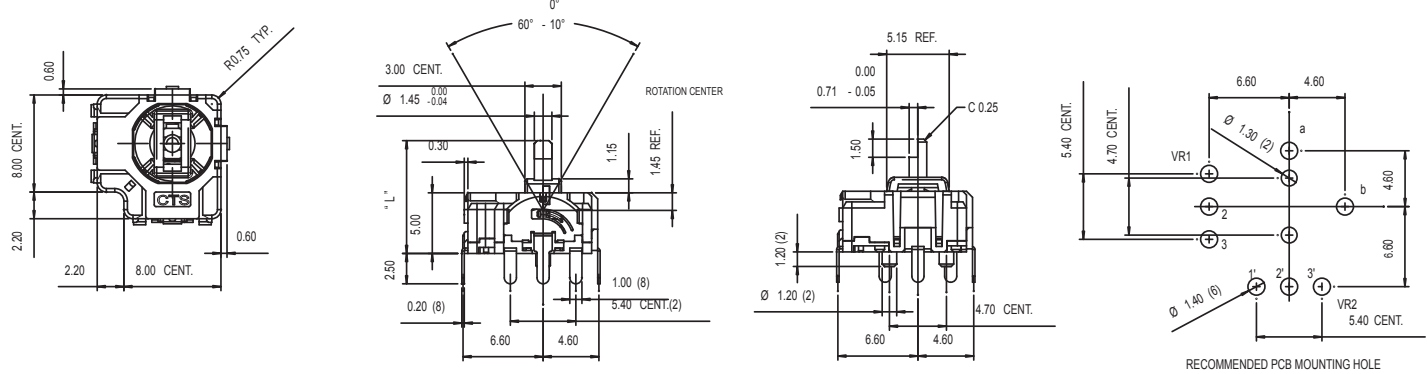
Mounting Information
Through Hole or SMD Terminal

CTS Series 254 DIMENSION: mm

SMD Style



Through Hole Style



Ordering Information

254

T

B

103

C

50

A

TERMINAL STYLE	DRIVE ARM LENGTH DIM "L"	RESISTANCE CODE EXAMPLES	RESISTANCE TOLERANCE	ELECTRICAL ANGLE	SWITCH CONFIGURATION
S - SMD T - THROUGH HOLE	LENGTH FROM MOUNTING SURFACE A - 9.3 mm B - 12.0 mm	CODE RESISTANCE 103 10K 104 100K	B - ±20% C - ±30%	60 - 60° 50 - 50°	A - W/O SWITCH B - MOMENTARY SWITCH

STANDARD PART (QUICK DELIVERY, IVORY COLOR) - 254TA103C50A, 254TA103C50B, 254SA103C50A, 254SA103C50B