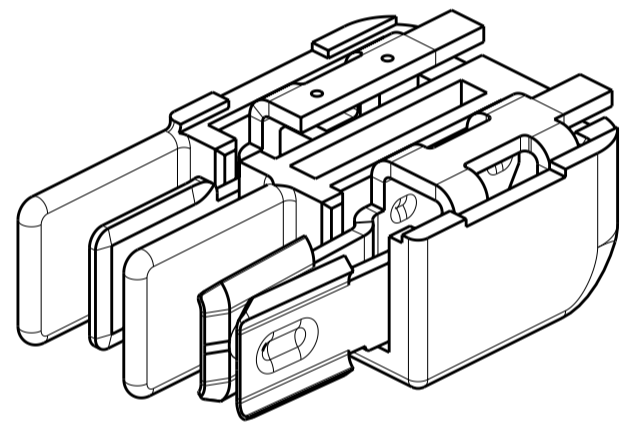
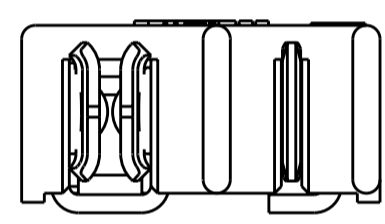
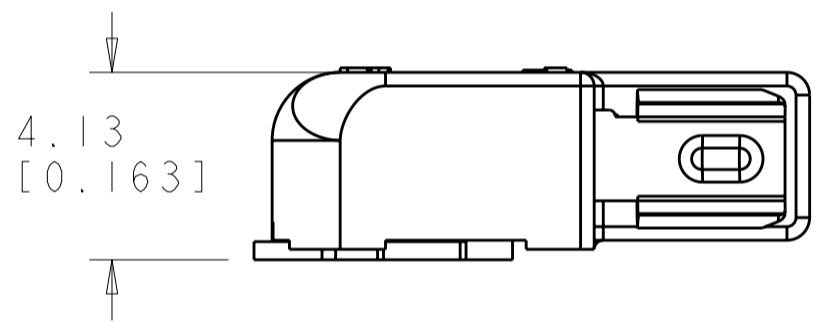
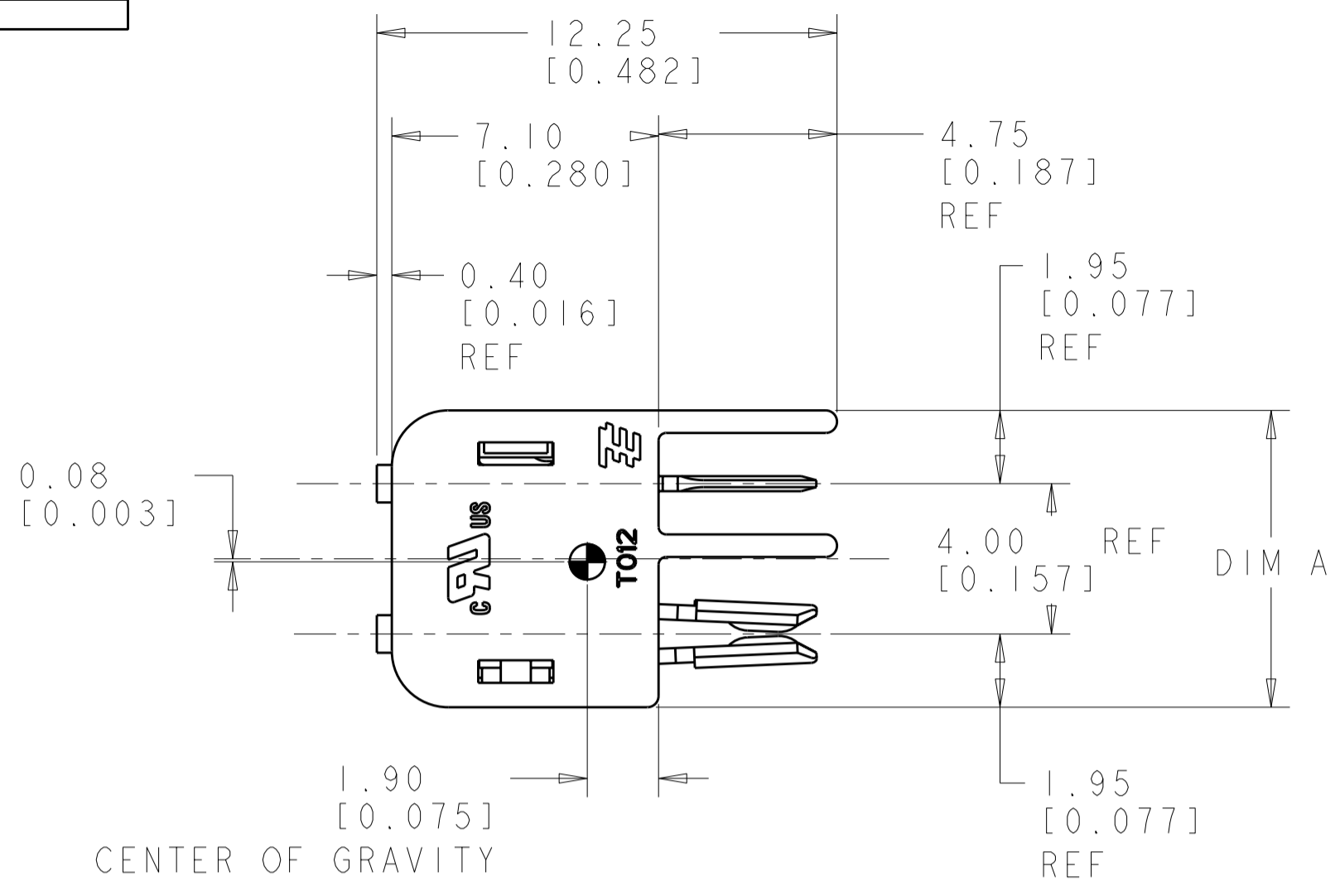


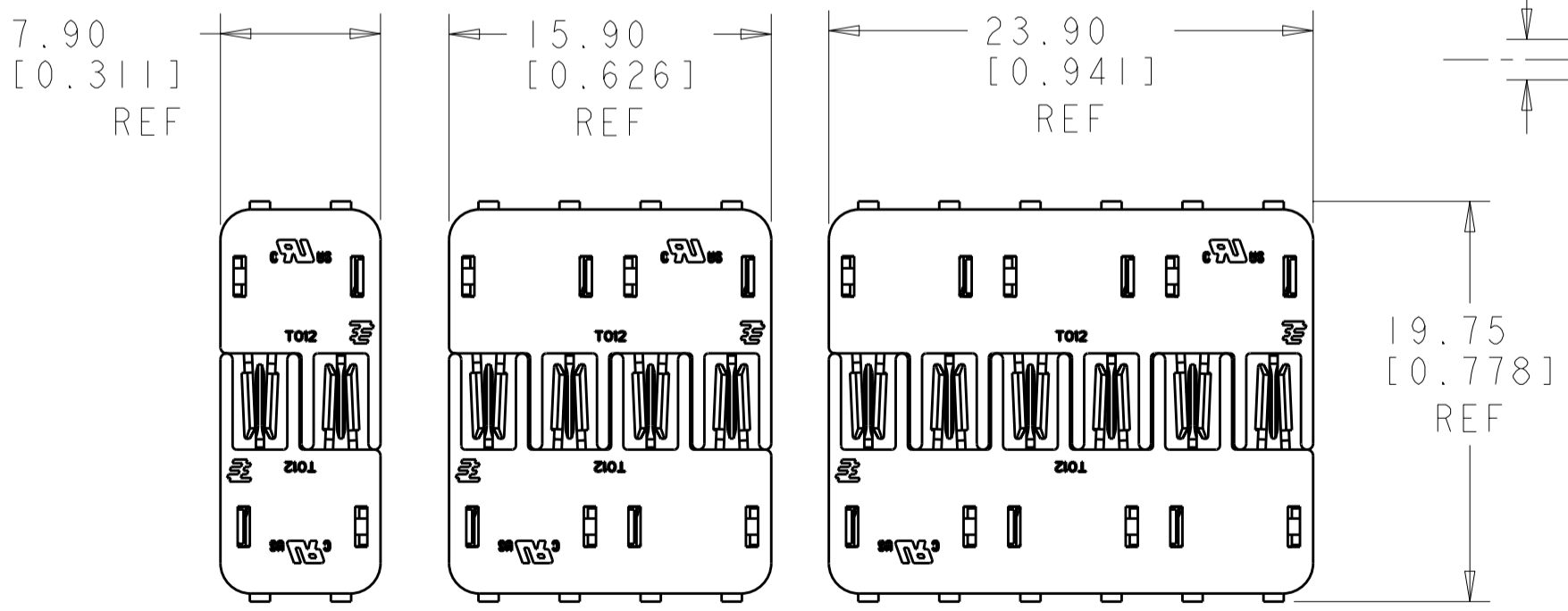
THIS DRAWING IS UNPUBLISHED. RELEASED FOR PUBLICATION 20  
 © COPYRIGHT 20 BY - ALL RIGHTS RESERVED.

REVISIONS					
P	LTR	DESCRIPTION	DATE	DWN	APVD
B1		REVISED PER ECO-11-004587	11MAR2011	RK	HMR
B2		REVISED PER ECR-11-015304	29JUL2011	RK	DD

NOTES:  
 1 MATERIALS AND FINISH  
 - HOUSING: LCP  
 - CONTACTS: COPPER ALLOY,  
 FINISH: TIN  
 2 PRODUCT TO COMPLY WITH  
 DIRECTIVE 2002/95/EC (ROHS)  
 3 PACKAGED IN TAPE AND REEL  
 PER EIA-481 SPECIFICATIONS



1954289-1/  
 1-1954289-1  
 SHOWN



1954289-1/ 1954289-2/  
 1-1954289-1 1-1954289-2  
 SCALE 3:1 SCALE 3:1  
 1954289-3/  
 1-1954289-3  
 SCALE 3:1

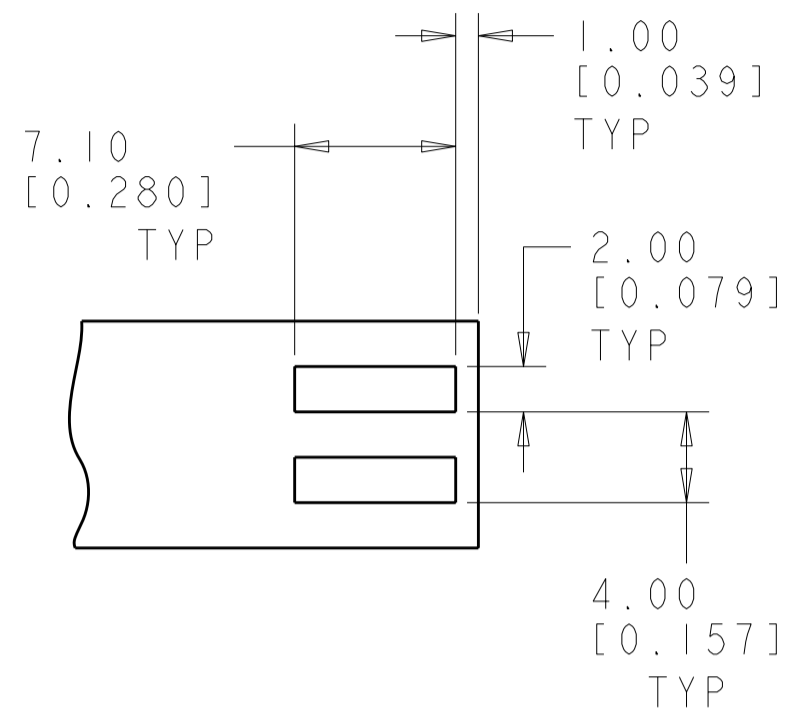
MATED PAIRS SHOWN FOR REFERENCE

POSITION	COLOR	DIM A	PART NO.
6	BLACK	23.90	1-1954289-3
4	BLACK	15.90	1-1954289-2
2	BLACK	7.90	1-1954289-1
6	NATURAL	23.90	1954289-3
4	NATURAL	15.90	1954289-2
2	NATURAL	7.90	1954289-1

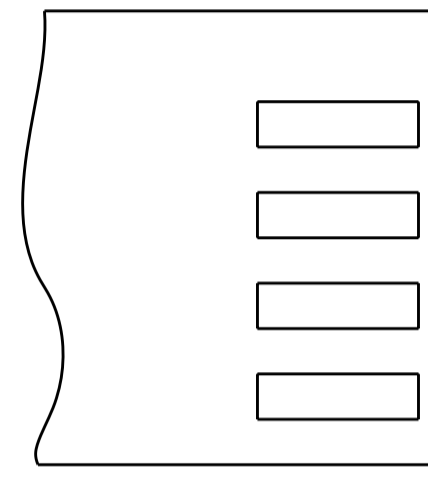
THIS DRAWING IS A CONTROLLED DOCUMENT.		DWN RAGHU 18DEC2006	<b>STE</b> TE Connectivity		
		CHK S_HORST 17APR2007			
DIMENSIONS: mm		TOLERANCES UNLESS OTHERWISE SPECIFIED:		NAME CONNECTOR ASSEMBLY, HERMAPHRODITIC BLADE AND RECEPTACLE	
0 PLC ±-		1 PLC ±-		APVD -	
2 PLC ±0.13		3 PLC ±0.013		PRODUCT SPEC 108-2342	
4 PLC ±-		ANGLES ±°		APPLICATION SPEC 114-13225	
FINISH		MATERIAL		SIZE CAGE CODE DRAWING NO	
CUSTOMER DRAWING		WEIGHT -		A200779C-1954289	
		SCALE 3:1		RESTRICTED TO -	
		SHEET 1 OF 2		REV B2	

THIS DRAWING IS UNPUBLISHED. RELEASED FOR PUBLICATION 20  
 © COPYRIGHT 20 BY - ALL RIGHTS RESERVED.

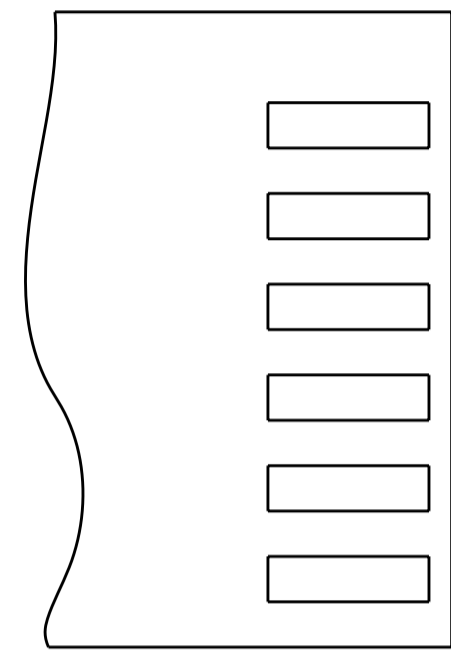
LOC		DIST		REVISIONS			
P	LTR	DESCRIPTION	DATE	DWN	APVD		
-	-	SEE SHEET 1	-	-	-		



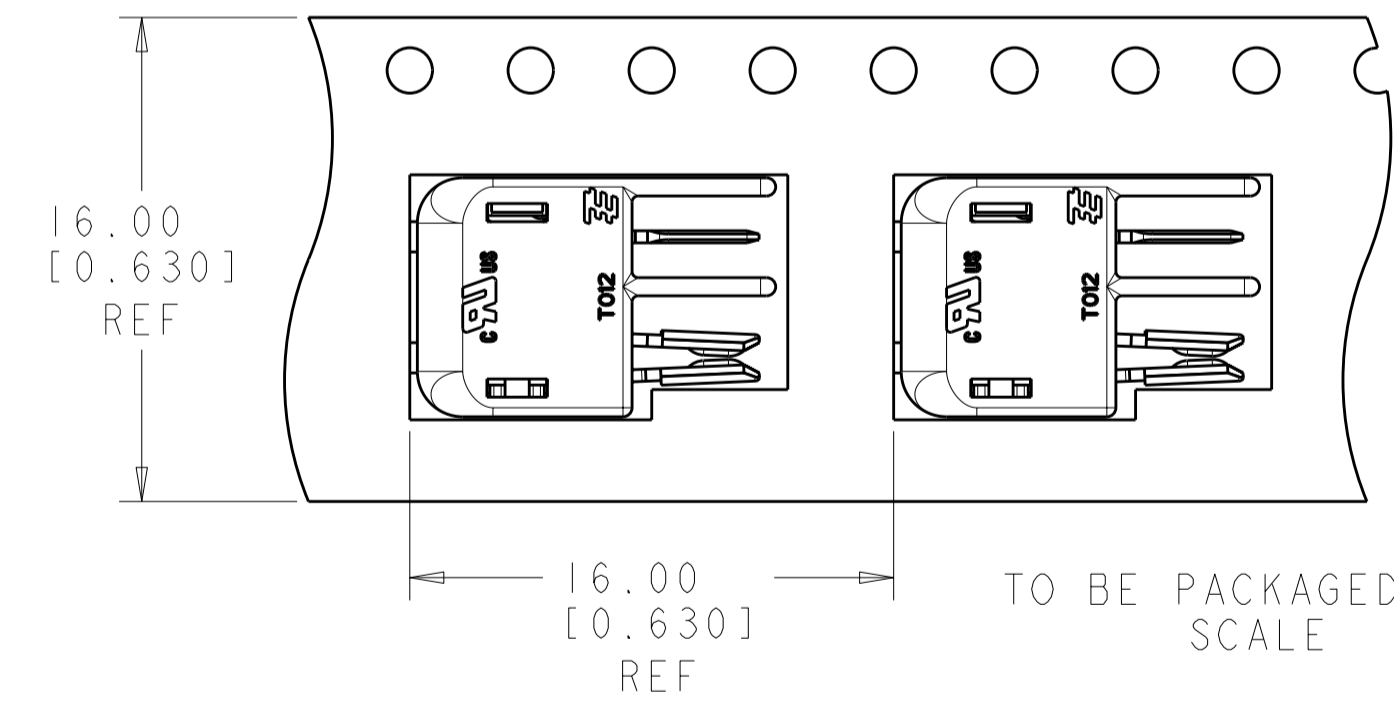
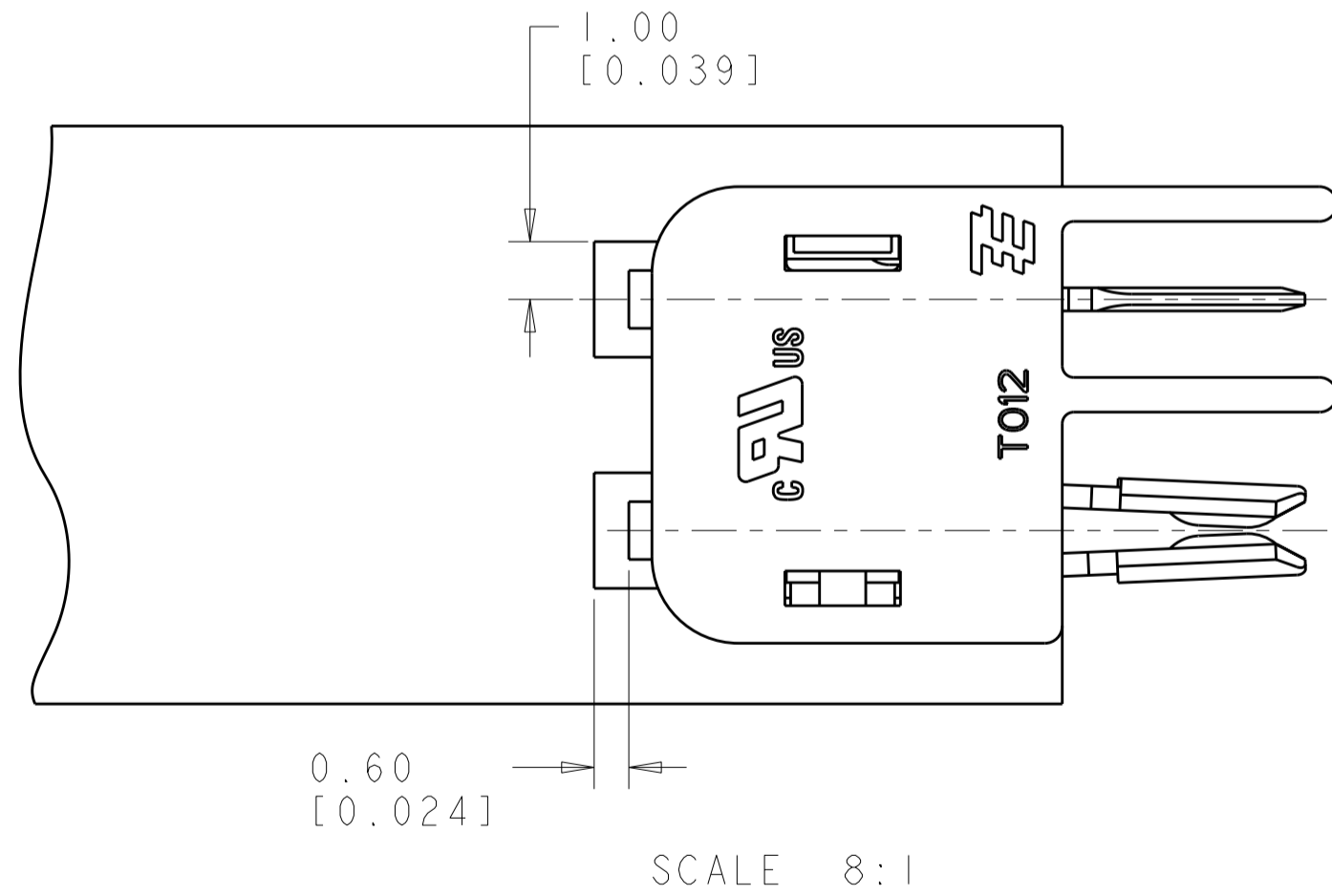
RECOMMENDED PCB LAYOUT  
FOR 1954289-1 & 1-1954289-1



RECOMMENDED PCB LAYOUT  
FOR 1954289-2 & 1-1954289-2



RECOMMENDED PCB LAYOUT  
FOR 1954289-3 & 1-1954289-3



THIS DRAWING IS A CONTROLLED DOCUMENT.		DWN RAGHU 18DEC2006	<b>STE</b> TE Connectivity	
		CHK S_HORST 17APR2007		
DIMENSIONS: mm		TOLERANCES UNLESS OTHERWISE SPECIFIED:		NAME
<ul style="list-style-type: none"> <li>0 PLC ±</li> <li>1 PLC ±</li> <li>2 PLC ±0.13</li> <li>3 PLC ±0.013</li> <li>4 PLC ±</li> <li>ANGLES ±°</li> <li>FINISH</li> </ul>		APVD -	PRODUCT SPEC 108-2342	CONNECTOR ASSEMBLY, HERMAPHRODITIC BLADE AND RECEPTACLE
MATERIAL -		APVD -	APPLICATION SPEC 114-13225	RESTRICTED TO
		WEIGHT -	SIZE A200779	CAGE CODE C-1954289
		CUSTOMER DRAWING	SCALE 3:1	SHEET 2 OF 2 REV B2

# Mouser Electronics

Authorized Distributor

Click to View Pricing, Inventory, Delivery & Lifecycle Information:

[TE Connectivity:](#)

[1-1954289-1](#)