

PLEASE CHECK WWW.MOLEX.COM FOR LATEST PART INFORMATION

Part Number: [0734060080](#)
Status: **Active**
Overview: SMPM and SMP RF Connectors
Description: 50 Ohms, SMP Plug PCB Through hole legs with SMT Contact, Smooth Bore

Documents:

[Drawing \(PDF\)](#) [RoHS Certificate of Compliance \(PDF\)](#)

General

Product Family	RF/Coax Connectors
Series	73406
Overview	SMPM and SMP RF Connectors
Product Name	SMP
Style	PCB
UPC	800756682419
Wire/Cable Type	N/A

Physical

Cable Attachment	N/A
Gender	Plug
Keying to Mating Part	None
Net Weight	0.742/g
Orientation	Straight
PCB Mounting	Through Hole
Packaging Type	Embossed Tape on Reel
Panel Mount	No
Panel Mount Method	N/A

Electrical

Impedance	50#
-----------	-----

Solder Process Data

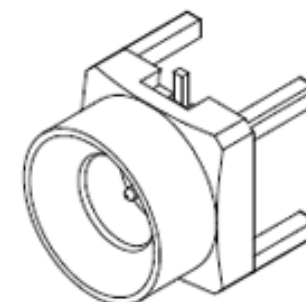
Duration at Max. Process Temperature (seconds)	010
Lead-freeProcess Capability	REFLOW
Max. Cycles at Max. Process Temperature	002
Process Temperature max. C	260

Material Info

Old Part Number	894060080
-----------------	-----------

Reference - Drawing Numbers

Sales Drawing	SD-73406-008
---------------	--------------



Series image - Reference only

EU ELV

Not Relevant

EU RoHS

Compliant with Exemption 6(c)

REACH SVHC

Not Contained Per - ED/21/2016 (20 June 2016)

Halogen-Free

Status

Low-Halogen

Need more information on product environmental compliance?

Email productcompliance@molex.com
Please visit the [Contact Us](#) section for any non-product compliance questions.

China ROHS

50 Image

ELV

Not Relevant

Search Parts in this Series

[73406 Series](#)