

PLEASE CHECK WWW.MOLEX.COM FOR LATEST PART INFORMATION

Part Number: [0755167776](#)
Status: **Active**
Overview: [gbx_backplane_connector_system](#)
Description: 1.85mm by 1.85mm (.073 by .073") Pitch 5-Pair GbX® Backplane Connector System, Power Module, 10 Circuits, 1.27µm (50µ") Gold (Au)

Documents:

[Drawing \(PDF\)](#) [Product Specification PS-75221-999 \(PDF\)](#)
[Packaging Specification \(PDF\)](#) [RoHS Certificate of Compliance \(PDF\)](#)

General

| | |
|-------------------------------|---|
| Product Family | Backplane Connectors |
| Series | 75517 |
| Application | Backplane |
| Application Tooling Documents | Tooling Manual |
| Comments | Blade Length A 7.50mm, B 7.50mm, C 7.50mm, D 7.50mm, E 6.00mm |
| Component Type | Power Header |
| Overview | gbx_backplane_connector_system |
| Product Name | GbX® |
| Style | N/A |

Physical

| | |
|--------------------------------|--------------------------------|
| Circuits (Loaded) | 10 |
| Circuits (maximum) | 10 |
| Circuits Detail | Rows A, B, C, D & E |
| Color - Resin | Gray (Dark) |
| Durability (mating cycles max) | 200 |
| First Mate / Last Break | Yes |
| Guide to Mating Part | No |
| Keying to Mating Part | None |
| Material - Metal | High Performance Alloy (HPA) |
| Material - Plating Mating | Gold |
| Material - Plating Termination | Tin-Lead |
| Material - Resin | High Temperature Thermoplastic |
| Number of Columns | N/A |
| Number of Pairs | 5 |
| Number of Rows | 5 |
| Orientation | Vertical |
| PC Tail Length (in) | 0.094 In |
| PC Tail Length (mm) | 2.40 mm |
| PCB Locator | Yes |
| PCB Retention | Yes |
| PCB Thickness Recommended (in) | 0.063 In |
| PCB Thickness Recommended (mm) | 1.60 mm |
| Packaging Type | Tube |
| Pitch - Mating Interface (in) | 0.102 In |
| Pitch - Mating Interface (mm) | 2.60 mm |
| Pitch - Term. Interface (in) | 0.102 In |
| Pitch - Term. Interface (mm) | 2.60 mm |
| Plating min: Mating (µin) | 50 |
| Plating min: Mating (µm) | 1.25 |
| Plating min: Termination (µin) | 30 |
| Plating min: Termination (µm) | 0.75 |
| Polarized to PCB | Yes |

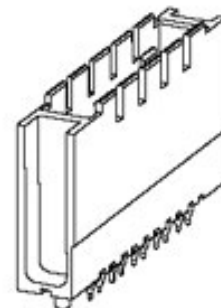


image - Reference only

Series

EU RoHS

RoHS Compliant by Exemption

REACH SVHC

Contains SVHC: No

Halogen-Free

Status

Halogen-Free

Need more information on product environmental compliance?

Email productcompliance@molex.com
 For a multiple part number RoHS Certificate of Compliance, [click here](#)

Please visit the [Contact Us](#) section for any non-product compliance questions.

China RoHS



Pb

Search Parts in this Series

[75517Series](#)

Mates With

[75292 GbX® Daughtercard](#)

Application Tooling | FAQ

Tooling specifications and manuals are found by selecting the products below. Crimp Height Specifications are then contained in the Application Tooling Specification document.

Global

| Description | Product # |
|---|----------------------------|
| Insertion Module, GbX® 5 pair 1 - Up Power Module | 0622022007 |

| | |
|--------------------------------|------------------------------|
| Stackable | No |
| Surface Mount Compatible (SMC) | Yes |
| Temperature Range - Operating | 105°C |
| Termination Interface: Style | Through Hole - Compliant Pin |

Electrical

| | |
|-------------------------------|------------------|
| Current - Maximum per Contact | 6A |
| Data Rate | 8.0 Gbps |
| Real Signals (per 25mm) | 48 |
| Shielded | No |
| Voltage - Maximum | 120V AC (RMS)/DC |

Material Info

Reference - Drawing Numbers

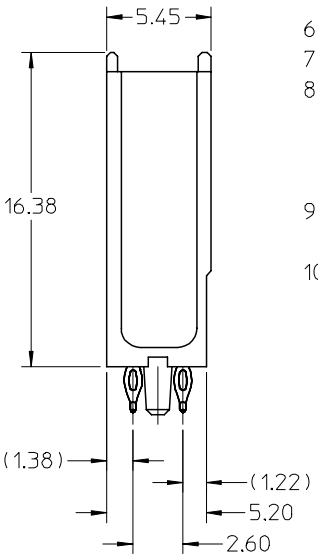
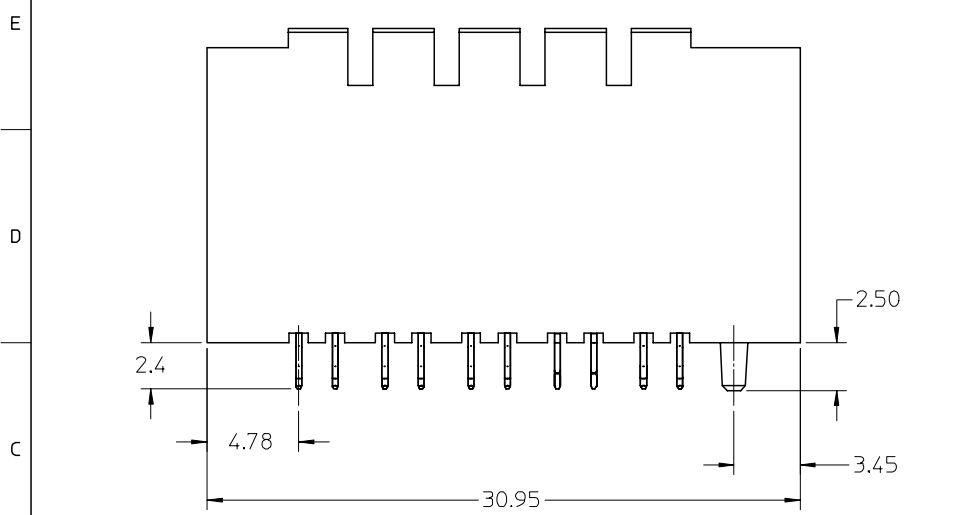
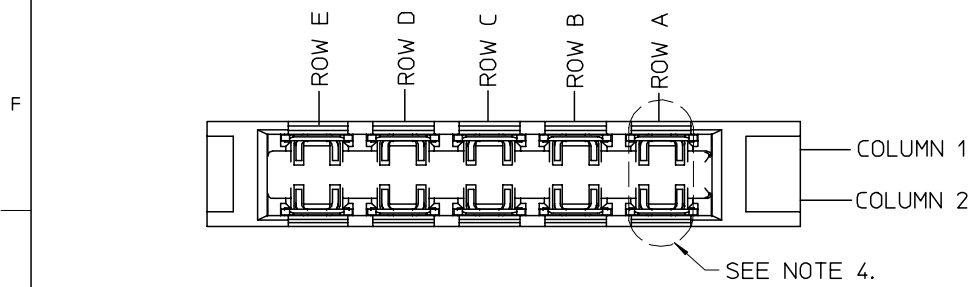
| | |
|-------------------------|--------------|
| Packaging Specification | PK-70873-566 |
| Product Specification | PS-75221-999 |
| Sales Drawing | SD-75510-001 |

GbX is a registered trademark of Amphenol Corporation.

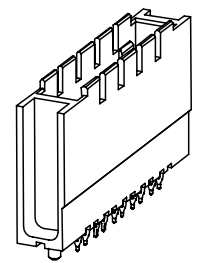
This document was generated on 05/14/2010

PLEASE CHECK WWW.MOLEX.COM FOR LATEST PART INFORMATION

10 9 8 7 6 5 4 3 2 1



- NOTES:
1. MATERIALS: HOUSING - LIQUID CRYSTAL POLYMER (LCP), UL 94V-0, GRAY; CONTACT - COPPER ALLOY.
 2. FINISH: SELECT GOLD IN CONTACT AREA, 50 μ" THICK; TIN/LEAD OR MATTE TIN IN COMPLIANT AREA.
 3. PACKAGING PER PK-70873-566.
 4. CONTACTS IN EACH ROW HAVE THE SAME WIPE LENGTH.
 5. BACKPLANE ASSEMBLY MATES WITH DAUGHTERCARD POWER MODULE 75292-5***.
 6. PART SHOWN IS 75514-0467 (SHEET 4).
 7. SEE OTHER SHEETS FOR ADDITIONAL NOTES.
 8. WHEN INSERTING OPEN SIGNAL MODULES NEXT TO COLUMN 1 SIDE OF POWER MODULES, SIGNAL MODULES MUST BE INSERTED BEFORE THE POWERS TO AVOID INTERFERENCE BETWEEN THE TWO CONNECTOR HOUSINGS.
 9. THESE PARTS CONFORM TO MOLEX PRODUCT SPECIFICATION PS-75221-999.
 10. THESE PARTS CONFORM TO MOLEX COSMETIC SPECIFICATION PS-45499-002 CLASS B.



1-UP ASSEMBLY PART NUMBER

7 5 5 1 A - B C D E
 - TIN/LEAD PLATED PRODUCT -
 FOR EACH ROW LOCATION A, B, C, D, E:
 0 = VOID
 4 = 4.5 mm WIPE
 6 = 6.0 mm WIPE
 7 = 7.5 mm WIPE
 - LEAD-FREE PLATED PRODUCT -
 FOR EACH ROW LOCATION A, B, C, D, E:
 0 = VOID
 2 = 4.5 mm WIPE
 3 = 6.0 mm WIPE
 5 = 7.5 mm WIPE

| | | | | | | | | | |
|---|-------------------------------|--|--|---|------------|---|------------------------|--|--|
| ADDED NOTES 9 & 10 EC NO: UCP2008-0426 DRWN: C STEWART 2007/08/29 CHKD: J BINGHAM 2007/08/30 APPR: J BINGHAM 2007/08/31 | QUALITY SYMBOLS ▽=0 ▽=0 | GENERAL TOLERANCES (UNLESS SPECIFIED) | | DIMENSION STYLE | SCALE | DESIGN UNITS | THIRD ANGLE PROJECTION | | |
| | | | | MM ONLY | 4:1 | METRIC | | | |
| | | | | DRAWN BY | DATE | TITLE | | | |
| | | | | CUNNINGHAM | 2006/04/17 | GBX 5 PAIR BACKPLANE POWER SALES ASSEMBLY | | | |
| | | CHECKED BY | | DATE | | MOLEX INCORPORATED | | | |
| | | ELO | | 2006/04/13 | | MATERIAL NO. SD-75510-001 | | | |
| | | APPROVED BY | | DATE | | DOCUMENT NO. | | | |
| | | CUNNINGHAM | | 2006/04/17 | | SHEET NO. 1 OF 4 | | | |
| | | ANGULAR ±° | | SEE CHART | | | | | |
| | | DRAFT WHERE APPLICABLE MUST REMAIN WITHIN DIMENSIONS | | THIS DRAWING CONTAINS INFORMATION THAT IS PROPRIETARY TO MOLEX INCORPORATED AND SHOULD NOT BE USED WITHOUT WRITTEN PERMISSION | | | | | |

9 8 7 6 5 4 3 2 1

10 9 8 7 6 5 4 3 2 1

2-UP ASSEMBLY PART NUMBER

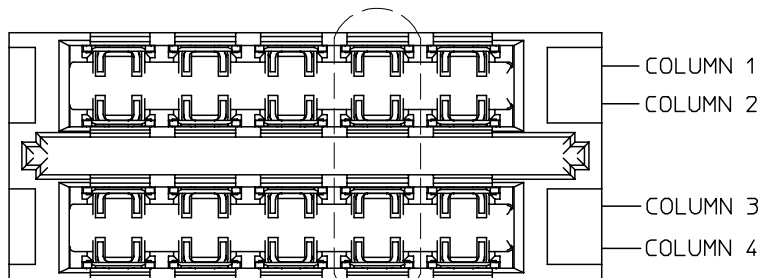
7 5 5 2 A - B C D E

- TIN/LEAD PLATED PRODUCT -
FOR EACH ROW LOCATION A, B, C, D, E:

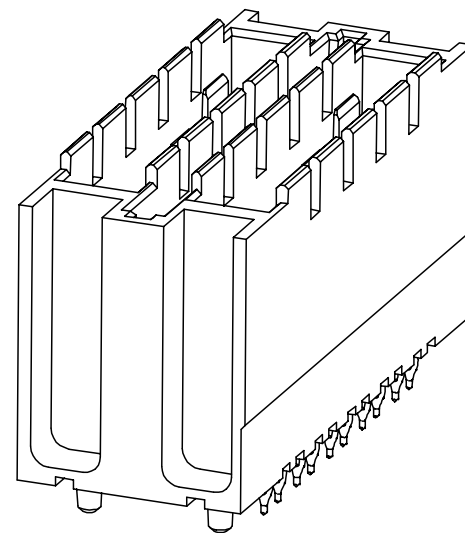
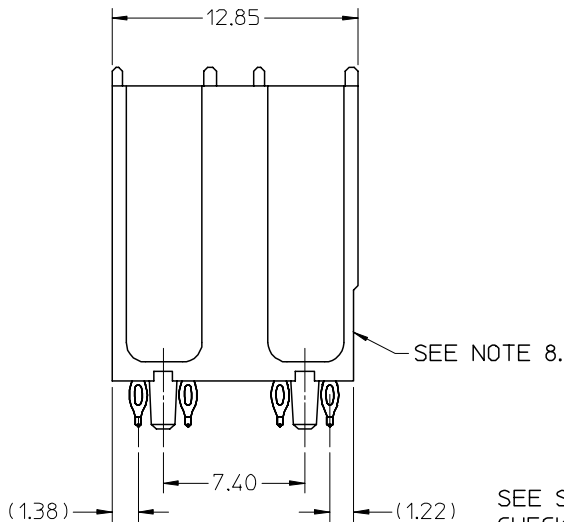
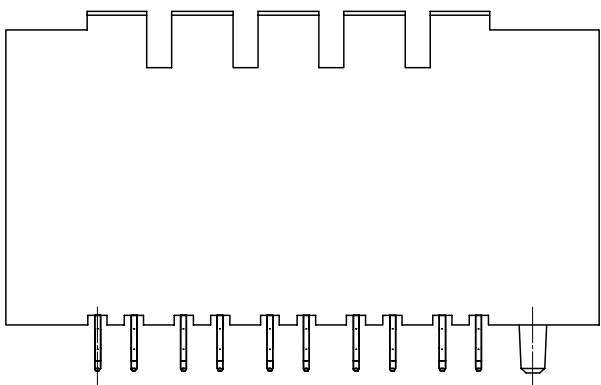
- 0 = VOID
- 4 = 4.5 mm WIPE
- 6 = 6.0 mm WIPE
- 7 = 7.5 mm WIPE

- LEAD-FREE PLATED PRODUCT -
FOR EACH ROW LOCATION A, B, C, D, E:

- 0 = VOID
- 2 = 4.5 mm WIPE
- 3 = 6.0 mm WIPE
- 5 = 7.5 mm WIPE



SEE NOTE 4.

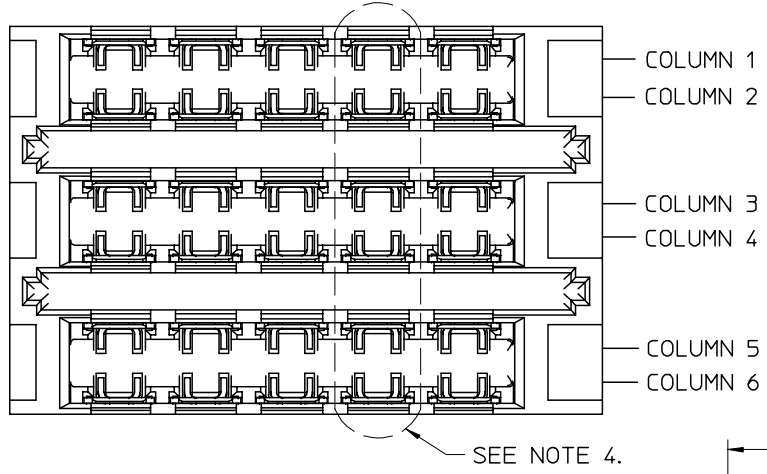


SEE SHEET 1 FOR ADDITIONAL INFORMATION
CHECK WITH PRODUCT MANAGER FOR AVAILABILITY

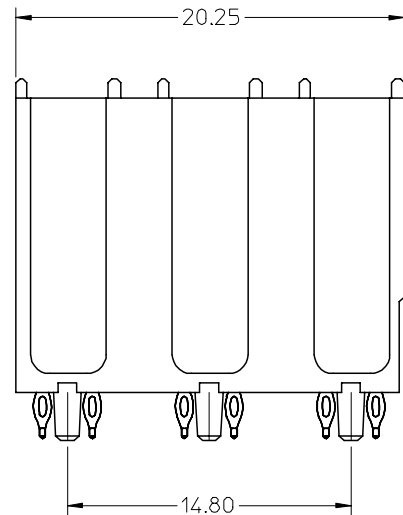
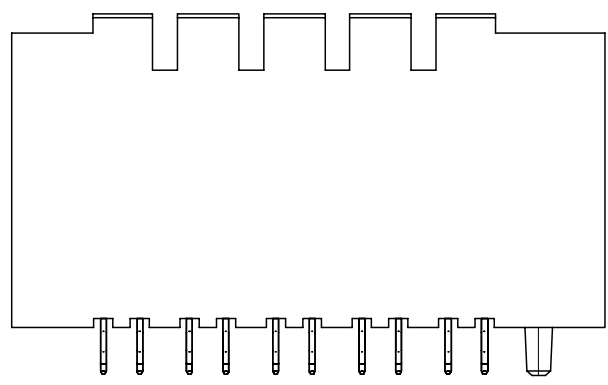
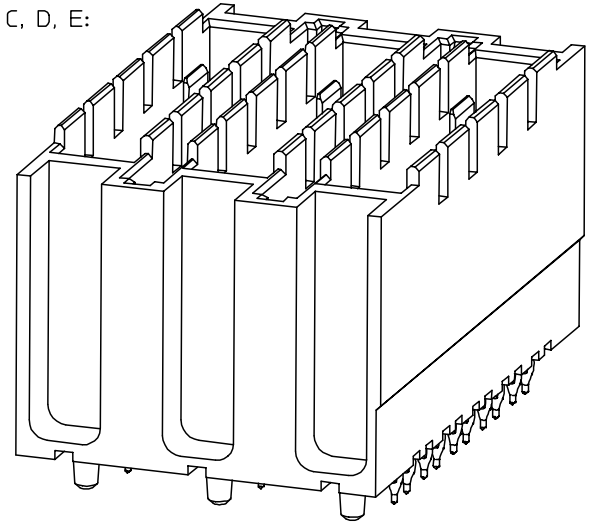
| | | | | | | | | | |
|--|-------------------------------|---------------------------------------|--|--|--|--|------------------------|---|--|
| SEE SHEET ONE EC NO: UCP2008-0426 DRWN: C STEWART 2007/08/29 CHKD: J BINGHAM 2007/08/30 APPR: J BINGHAM 2007/08/31 | QUALITY SYMBOLS ▽=0 ▽=0 | GENERAL TOLERANCES (UNLESS SPECIFIED) | | DIMENSION STYLE MM ONLY | | SCALE 4:1 | DESIGN UNITS METRIC | THIRD ANGLE PROJECTION | |
| | | | | | | TITLE GBX 5 PAIR BACKPLANE POWER SALES ASSEMBLY | | | |
| | | | | | | DRAWN BY DATE ELO 2006/04/13 | | | |
| | | | | | | CHECKED BY DATE ELO 2006/04/13 | | | |
| | | | | | | APPROVED BY DATE CUNNINGHAM 2006/04/17 | | MOLEX INCORPORATED DOCUMENT NO. SD-75510-001 | |
| | | | | | | MATERIAL NO. SEE CHART | | | |
| | | | | DRAFT WHERE APPLICABLE MUST REMAIN WITHIN DIMENSIONS | | SHEET NO. 2 OF 4 | | | |
| | | | | THIS DRAWING CONTAINS INFORMATION THAT IS PROPRIETARY TO MOLEX INCORPORATED AND SHOULD NOT BE USED WITHOUT WRITTEN PERMISSION | | | | | |

9 8 7 6 5 4 3 2 1

10 9 8 7 6 5 4 3 2 1



3-UP ASSEMBLY PART NUMBER
7 5 5 3 A - B C D E
 - TIN/LEAD PLATED PRODUCT -
 FOR EACH ROW LOCATION A, B, C, D, E:
 0 = VOID
 4 = 4.5 mm WIPE
 6 = 6.0 mm WIPE
 7 = 7.5 mm WIPE
 - LEAD-FREE PLATED PRODUCT -
 FOR EACH ROW LOCATION A, B, C, D, E:
 0 = VOID
 2 = 4.5 mm WIPE
 3 = 6.0 mm WIPE
 5 = 7.5 mm WIPE



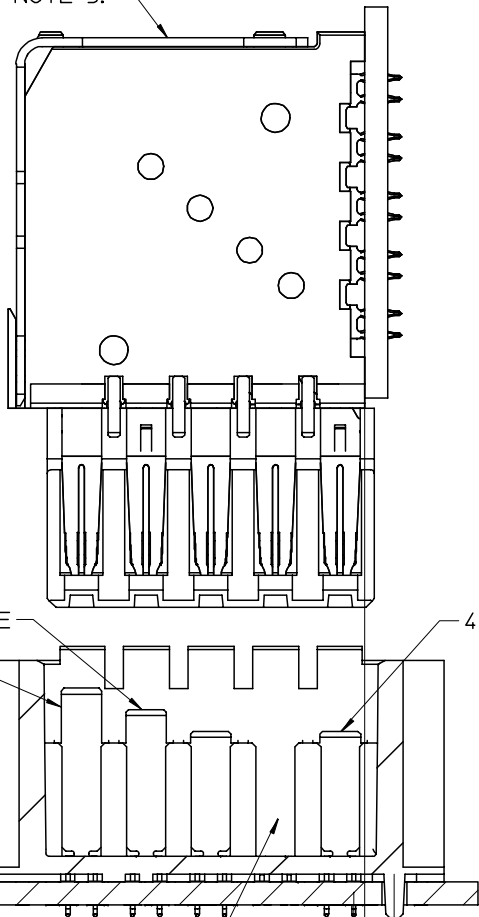
SEE SHEET 1 FOR ADDITIONAL INFORMATION
 CHECK WITH PRODUCT MANAGER FOR AVAILABILITY

| | | | | | | | |
|--|-------------------------------|--|---|-----------------|------------|--------------|---|
| SEE SHEET ONE EC NO: UCP2008-0426 DRW: J. STEWART 2007/08/29 CHKD: J. INGHAM 2007/08/30 APPR: J. INGHAM 2007/08/31 | QUALITY SYMBOLS ▽=0 ▽=0 | GENERAL TOLERANCES (UNLESS SPECIFIED) | | DIMENSION STYLE | SCALE | DESIGN UNITS | THIRD ANGLE PROJECTION GBX 5 PAIR BACKPLANE POWER SALES ASSEMBLY MOLEX INCORPORATED SD-75510-001 |
| | | mm | INCH | MM ONLY | 4:1 | METRIC | |
| | | 4 PLACES ±--- | ±--- | DRAWN BY | DATE | TITLE | |
| | | 3 PLACES ±--- | ±--- | ELO | 2006/04/13 | | |
| 2 PLACES ±--- | ±--- | CHECKED BY | DATE | | | | |
| 1 PLACE ±--- | ±--- | ELO | 2006/04/13 | | | | |
| | | APPROVED BY | DATE | | | | |
| | | CUNNINGHAM | 2006/04/17 | | | | |
| | | MATERIAL NO. | DOCUMENT NO. | | | | |
| | | SEE CHART | | | | | |
| | | DRAFT WHERE APPLICABLE MUST REMAIN WITHIN DIMENSIONS | | | | | |
| | | SIZE | THIS DRAWING CONTAINS INFORMATION THAT IS PROPRIETARY TO MOLEX INCORPORATED AND SHOULD NOT BE USED WITHOUT WRITTEN PERMISSION | | | | |
| | | B | | | | | |

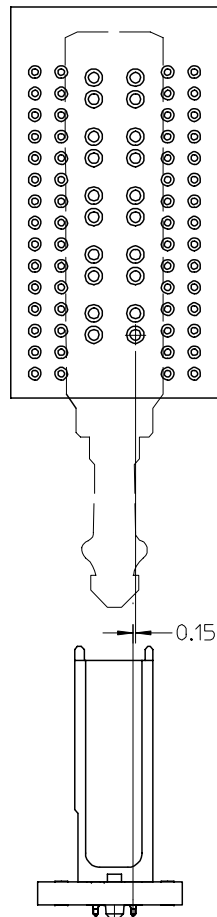
9 8 7 6 5 4 3 2 1

10 9 8 7 6 5 4 3 2 1

SEE NOTE 5.

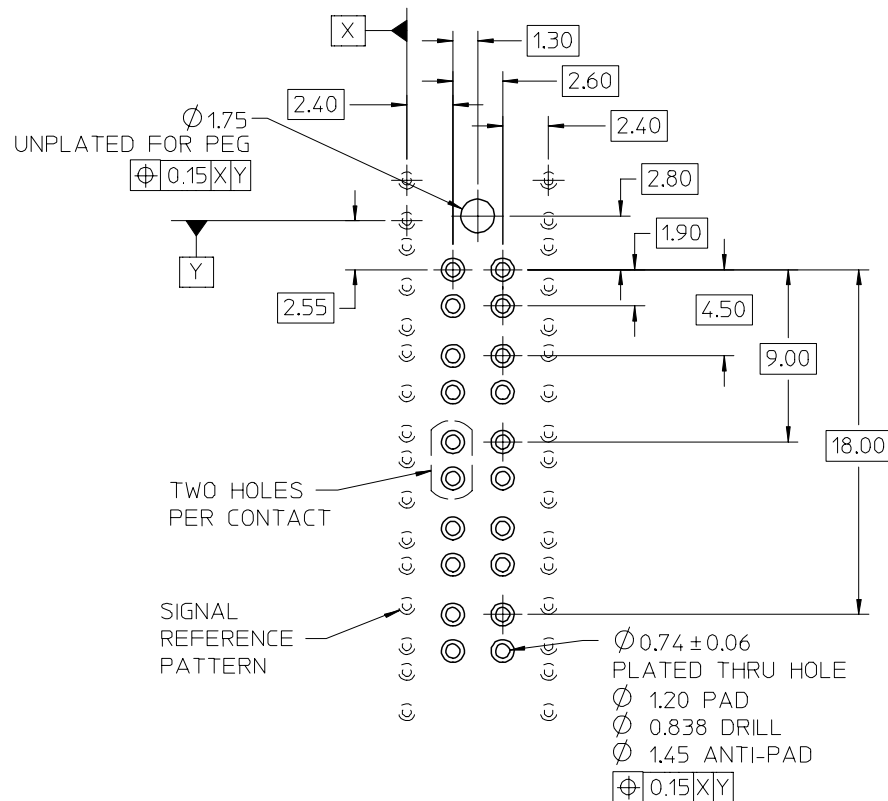


DC BOARD EDGE TO CENTERLINE OF BP TAIL



HOLE PATTERN FOR 1-UP ASSEMBLY

- 1.) ADD 7.40 FROM CENTERLINES OF PEG FOR MULTIPLE UP ASSEMBLIES.
- 2.) ADD 5.55 FROM CENTERLINE TO CENTERLINE OF PEG FOR INDIVIDUAL POWER MODULES STACKED NEXT TO EACH OTHER.



| SEE SHEET ONE EC NO: UCP2008-0426 DRWN: STEWART 2007/08/29 CHKD: BINGHAM 2007/08/30 APPR: BINGHAM 2007/08/31 | QUALITY SYMBOLS ▽=0 ▽=0 | GENERAL TOLERANCES (UNLESS SPECIFIED) | | DIMENSION STYLE MM ONLY | | SCALE 4:1 | DESIGN UNITS METRIC | THIRD ANGLE PROJECTION | | | | | | | | | | | | | | | | | |
|--|-------------------------------|---|-------|----------------------------|---|---------------------|------------------------|---|-------|----------|-------|-------|----------|-------|-------|---------|-------|-------|-----------------|--|--------------------|--|--|--|--|
| | | <table border="1"> <thead> <tr> <th></th> <th>mm</th> <th>INCH</th> </tr> </thead> <tbody> <tr> <td>4 PLACES</td> <td>±----</td> <td>±----</td> </tr> <tr> <td>3 PLACES</td> <td>±----</td> <td>±----</td> </tr> <tr> <td>2 PLACES</td> <td>±----</td> <td>±----</td> </tr> <tr> <td>1 PLACE</td> <td>±----</td> <td>±----</td> </tr> </tbody> </table> | | | mm | INCH | 4 PLACES | ±---- | ±---- | 3 PLACES | ±---- | ±---- | 2 PLACES | ±---- | ±---- | 1 PLACE | ±---- | ±---- | DRAWN BY ELO | | DATE 2006/04/13 | TITLE GBX 5 PAIR BACKPLANE POWER SALES ASSEMBLY | | | |
| | | | mm | INCH | | | | | | | | | | | | | | | | | | | | | |
| | | 4 PLACES | ±---- | ±---- | | | | | | | | | | | | | | | | | | | | | |
| 3 PLACES | ±---- | ±---- | | | | | | | | | | | | | | | | | | | | | | | |
| 2 PLACES | ±---- | ±---- | | | | | | | | | | | | | | | | | | | | | | | |
| 1 PLACE | ±---- | ±---- | | | | | | | | | | | | | | | | | | | | | | | |
| ANGULAR ±-----° | | CHECKED BY ELO | | DATE 2006/04/13 | | | | | | | | | | | | | | | | | | | | | |
| DRAFT WHERE APPLICABLE MUST REMAIN WITHIN DIMENSIONS | | APPROVED BY CUNNINGHAM | | DATE 2006/04/17 | MOLEX INCORPORATED DOCUMENT NO. SD-75510-001 | | | | | | | | | | | | | | | | | | | | |
| REV | | MATERIAL NO. | | SEE PREVIOUS | | SHEET NO. 4 OF 4 | | THIS DRAWING CONTAINS INFORMATION THAT IS PROPRIETARY TO MOLEX INCORPORATED AND SHOULD NOT BE USED WITHOUT WRITTEN PERMISSION | | | | | | | | | | | | | | | | | |

9 8 7 6 5 4 3 2 1