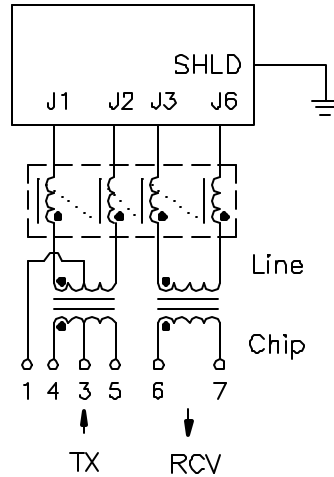


## 2. Schematic:



## 3. Electrical Specification: @25°

Isolation: 1500 Vrms (PRI to SEC)

Isolation: 500 Vrms (TX to RCV)

Turns Ratio: 1CT:1.41CT  $\pm 2\%$  (TX) 1:1  $\pm 2\%$  (RCV)

PRI OCL: 140uH Typical @100KHz 50mV (TX&RCV)

Cw/w: 12pF Maximum @100KHz 50mV

PRI LL: 0.40uH Maximum @100KHz 50mV (SEC Shorted)

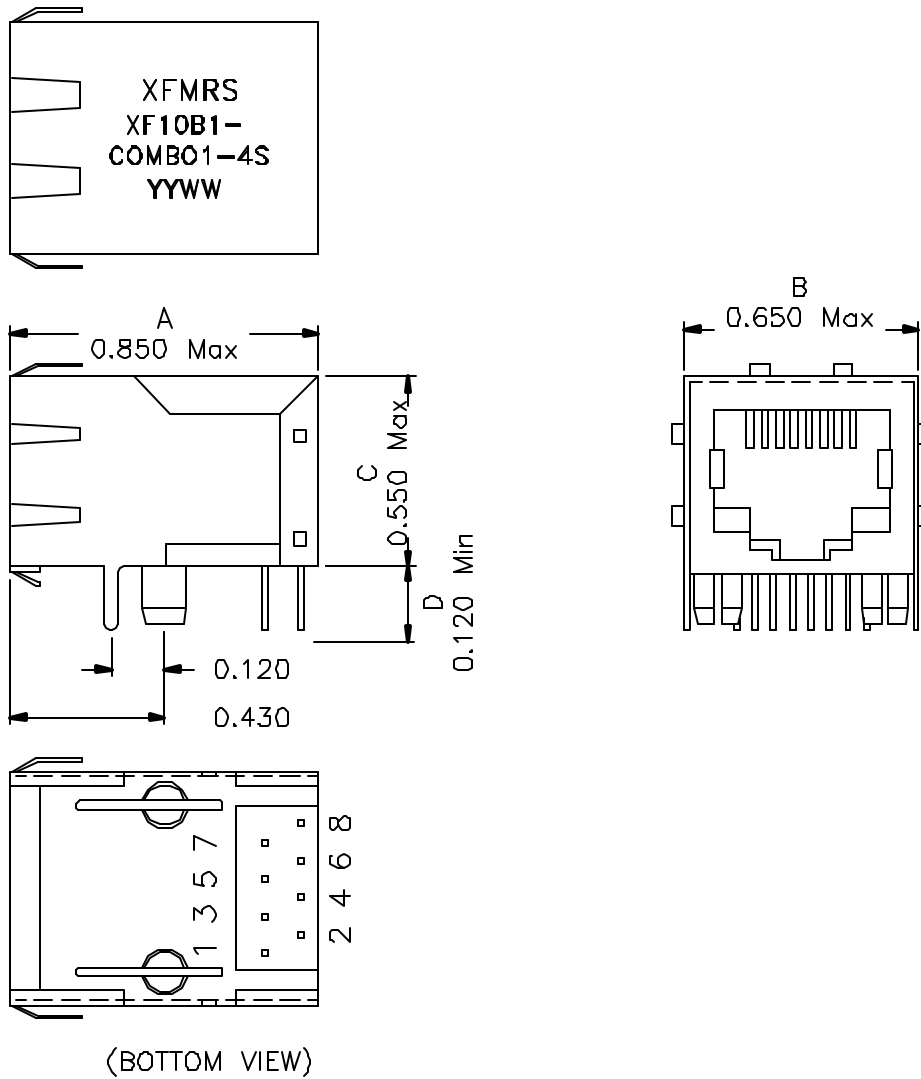
PRI DCR: 0.30 Ohms Maximum

CMR CHOKE OCL: 18uH Typical @100KHz 50mV

DOC. REV: A/1

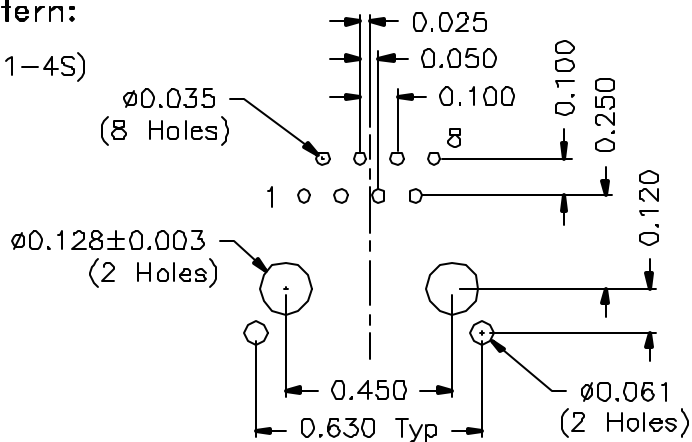
XFMRs Inc.	Title: SINGLE PORT COMBO		
	UNLESS OTHERWISE SPECIFIED	P/N: XF10B1-COMBO1-4S	REV. A
TOLERANCES: .xxx $\pm 0.010$	DWN.	李清儿	Feb-25-99
Dimensions in Inch	CHK.	孙小松	Feb-25-99
SCALE 1.5:1 SHT 1 OF 1	APP.	BW	Feb-25-99

# Mechanical Dimensions:



# Mounting Pattern:

(FOR COMBO1-4S)  
(COMP SIDE)



DOC. REV: A/1

<b>XFMR5 Inc.</b> UNLESS OTHERWISE SPECIFIED TOLERANCES: .xxx ±0.010 Dimensions in Inch SHEET 2 OF 2	Title: Mechanical Dimensions For COMBO1-4S Series	
	P/N: XF10B1-COMBO1-4S	REV. A
	DWN. 廖玉坤	Feb-25-99
	CHK. 李清儿	Feb-25-99
APP. BW	Feb-25-99	