

PLEASE CHECK WWW.MOLEX.COM FOR LATEST PART INFORMATION

Part Number: [0537280419](#)
Status: **Active**
Description: 6.50mm (.256") Header, Vertical, with Peg, Lead-free, 4 Circuits

Documents:

[3D Model](#) [Product Specification PS-51142-003 \(PDF\)](#)
[Drawing \(PDF\)](#) [RoHS Certificate of Compliance \(PDF\)](#)

Agency Certification

CSA	LR19980
TUV	R72081037
UL	E29179

General

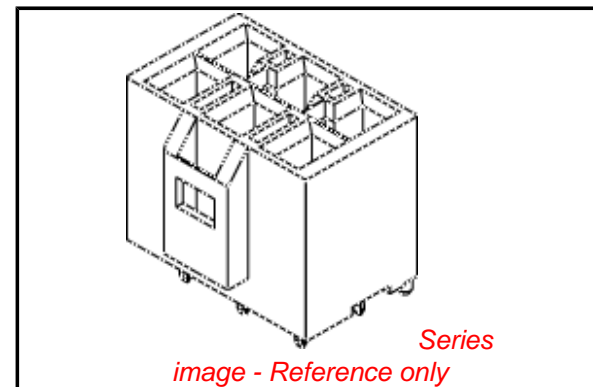
Product Family	PCB Headers
Series	53728
Application	Wire-to-Board
Product Name	N/A

Physical

Breakaway	No
Circuits (Loaded)	4
Circuits (maximum)	4
Durability (mating cycles max)	30
First Mate / Last Break	No
Flammability	94V-0
Glow-Wire Compliant	No
Guide to Mating Part	No
Keying to Mating Part	None
Lock to Mating Part	Yes
Material - Metal	Phosphor Bronze
Material - Plating Mating	Tin
Material - Plating Termination	Tin
Number of Rows	2
Orientation	Vertical
PC Tail Length (in)	0.150 In
PC Tail Length (mm)	3.80 mm
PCB Locator	Yes
PCB Retention	None
PCB Thickness Recommended (in)	0.062 In
PCB Thickness Recommended (mm)	1.60 mm
Packaging Type	Bag
Pitch - Mating Interface (in)	0.256 In
Pitch - Mating Interface (mm)	6.50 mm
Plating min: Mating (µin)	40
Plating min: Mating (µm)	1
Plating min: Termination (µin)	40
Plating min: Termination (µm)	1
Polarized to PCB	Yes
Shrouded	Fully
Stackable	No
Temperature Range - Operating	-40°C to +105°C
Termination Interface: Style	Through Hole

Electrical

Current - Maximum per Contact	9A
-------------------------------	----



EU RoHS

ELV and RoHS Compliant
REACH SVHC
 Not Reviewed
Halogen-Free Status
 Not Reviewed

China RoHS



Need more information on product environmental compliance?

Email productcompliance@molex.com
 For a multiple part number RoHS Certificate of Compliance, [click here](#)

Please visit the [Contact Us](#) section for any non-product compliance questions.

Search Parts in this Series

[53728Series](#)

Mates With

[51142 Wire-to-Board Receptacle Housing](#)

Voltage - Maximum

600V

Material Info

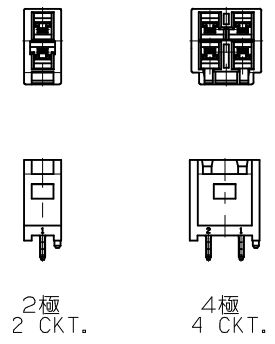
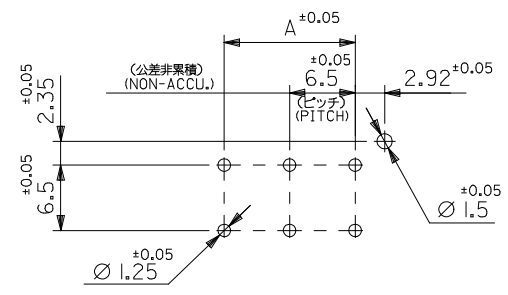
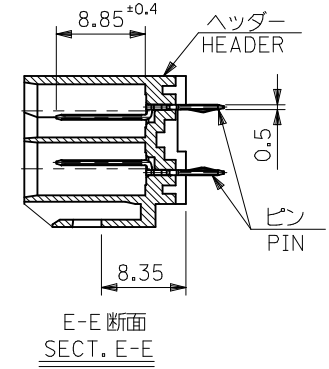
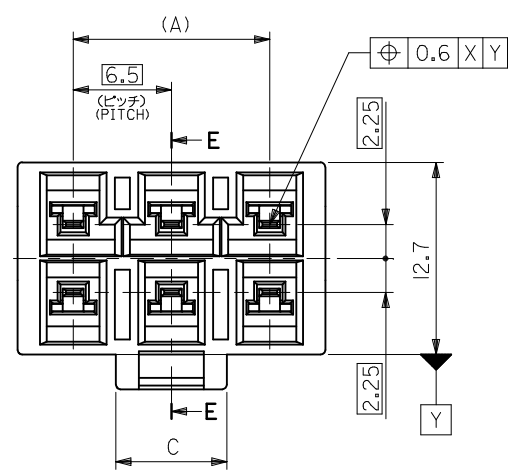
Reference - Drawing Numbers

Product Specification
Sales Drawing

PS-51142-003, RPS-51142-007, RPS-51142-008
SD-53728-008

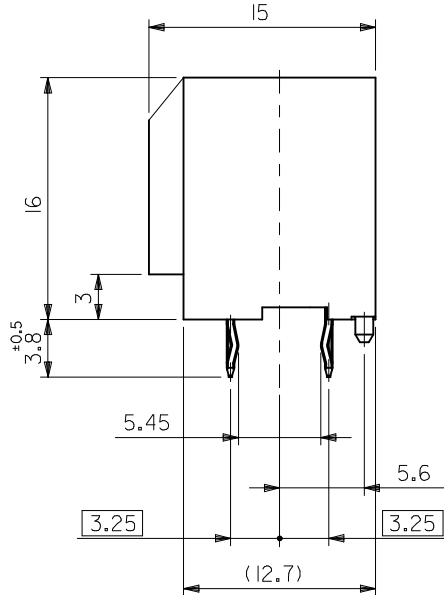
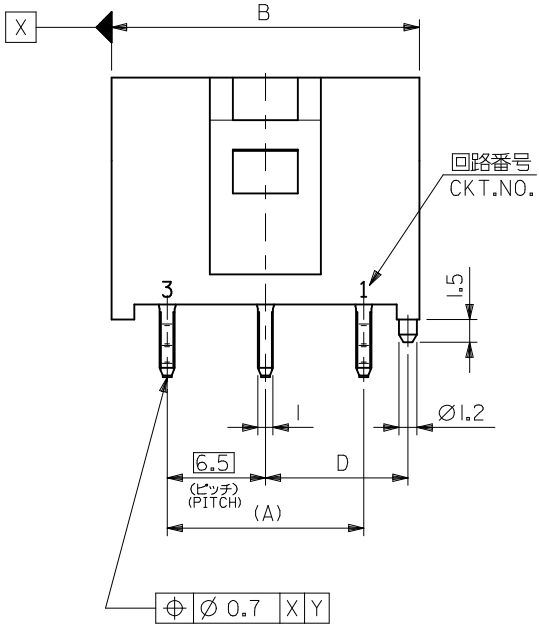
This document was generated on 04/16/2010

PLEASE CHECK WWW.MOLEX.COM FOR LATEST PART INFORMATION



基板取り付け穴推奨寸法 (マウント面)
(基板厚: t1.6mm)
RECOMMENDED P.C.BOARD HOLE
DIM. (MOUNTING SIDE)
(THK.: t1.6mm)

ロック形状図
LOCK CONFIGURATION



注記
NOTES

1. 嵌合相手: 51142シリーズ
MATE WITH: 51142 SERIES
2. 材質 MATERIAL
ピン: 銅合金, ニッケル下地鍍メッキ (t0.5)
PIN: COPPER ALLOY, TIN OVER NICKEL PLATED (t0.5)
ヘッダー: 66NYLON (ガラス入: 25%), UL94V-0
HEADER: 66NYLON(G.F.: 25%), UL94V-0
3. 6極のキングは、両端の4ピンに付加。
KINK FOR 6 CKT. TO BE APPLIED ON 4 PIN OF BOTH SIDES.
4. 53728-**-19は、53728-**-10の鉛フリー品である。
53728-**-19 IS LEAD FREE TYPE OF 53728-**-10.
53728-**-6*は、53728-**-1*の鉛フリー品である。
53728-**-6* IS LEAD FREE TYPE OF 53728-**-1*.

5. 製品型番の下一桁は色を表します。
LAST DIGIT OF PART NUMBER INDICATES COLOR.

- WHITE : 53728-**-19
- BLACK : 53728-**-61
- RED : 53728-**-62
- YELLOW: 53728-**-63
- BLUE : 53728-**-64

9.42	7.34	20.34	13	53728-0664	53728-0663	53728-0662	53728-0661	53728-0619	6
6.17	10.74	13.84	6.5	53728-0464	53728-0463	53728-0462	53728-0461	53728-0419	4
2.92	7.34	7.34	—	53728-0264	53728-0263	53728-0262	53728-0261	53728-0219	2
D	C	B	A	53728-**-64 COLOR: BLUE	53728-**-63 COLOR: YELLOW	53728-**-62 COLOR: RED	53728-**-61 COLOR: BLACK	53728-**-19 COLOR: WHITE	種数 CKT.

REVISED EC NO.: J2009-0175 DRWN: MAKURAA 2008/08/01 CHKD: T. HARUYAMA 2008/08/01 APPR: NUKITA 2008/12/19	GENERAL TOLERANCES (UNLESS SPECIFIED)		DIMENSION STYLE MM ONLY		SCALE ---	DESIGN UNITS METRIC	THIRD ANGLE PROJECTION	
	10 UNDER	±0.2	DRAWN BY M. NABEI	DATE '04/3/26	TITLE 6.5 W/B CONN HEADER ASSY (WITH BOSS WITH KINK) -LEAD FREE- MOLEX INCORPORATED			
	10 OVER 30 UNDER	±0.25	CHECKED BY K. TOJO	DATE '04/3/26				
	30 OVER	±0.3	APPROVED BY M. SASAO	DATE '04/3/26	DOCUMENT NO. SD-53728-008	SHEET NO. 1 OF 1		
ANGULAR ±---°		DRAFT WHERE APPLICABLE MUST REMAIN WITHIN DIMENSIONS		MATERIAL NO. SEE TABLE		THIS DRAWING CONTAINS INFORMATION THAT IS PROPRIETARY TO MOLEX INCORPORATED AND SHOULD NOT BE USED WITHOUT WRITTEN PERMISSION		