

Forward Transformer

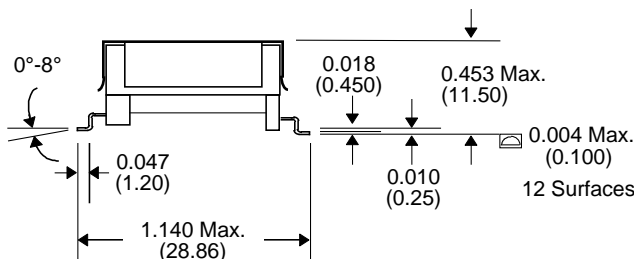
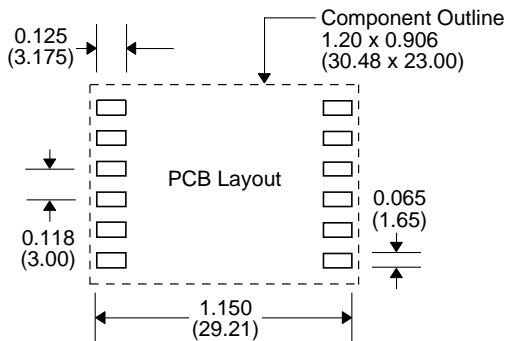
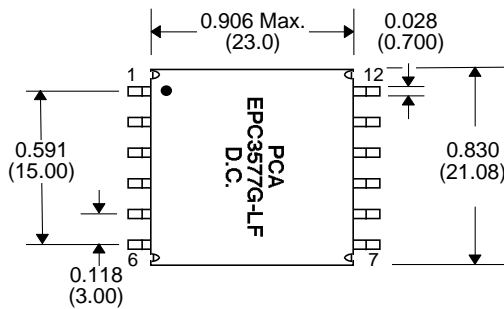
EPC3577G-LF

- 90 WPoE Synchronous Forward Transformer
- Designed to work with LTC3725
- Lead free
- Class B Insulation System
- Switching Frequency: 200 KHz
- Duty Cycle: 65% Max.
- Switching Ipeak: 7A
- Operating Temperature: -40°C to +125°C
- Storage Temperature: -40°C to +125°C

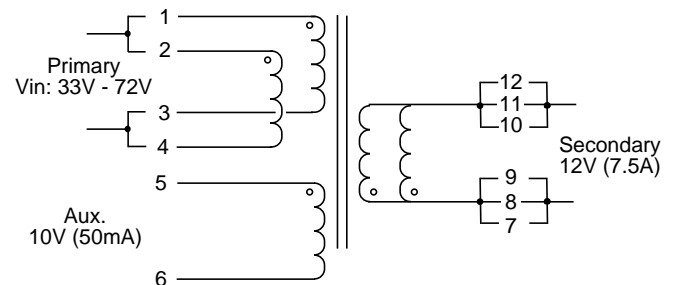
Electrical Parameters @ 25°C

| Inductance ($\mu\text{H} \pm 10\%$) | Leakage Inductance (μH Max.) | Interwinding Capacitance (pF Max.) | DCR (m Max.) | | | Turns Ratio | Hipot (Vrms) | |
|--|--|---------------------------------------|-----------------|----------|---------------------------|-----------------|------------------|------------------------|
| | | | | | | | | |
| @100 KHz, 1.0Vrms | @100 KHz, 0.1Vrms | @100 KHz, 0.1Vrms | | | | | 60Hz, 5 secs | |
| 180 | 0.45 | 180 | 20 | 200 | 10 | 1.375:0.875:1 | 1500 | 1500 |
| Pins 1,2 - 3,4 | Pins 1, 2 - 3, 4 with Aux. & Sec. shorted | Pri. - Aux. & Sec | Pins 1,2 - 3,4 | Pins 5-6 | Pins 7, 8,9 -10, 11,12 | Pri.: Aux.: Sec | Wdgs. to Core | Pri. & Aux. to Sec. |

Package



Schematic



| Notes | EPC3577G-LF |
|---------------------------------|-------------|
| 1. Lead Finish | Pb-Free |
| 2. Peak Solder Rating | 260°C |
| 3. Weight | 14.6 grams |
| 4. Packaging Information (Tray) | TBD |

Unless Otherwise Specified Dimensions are in Inches /mm ± .010 /.25