

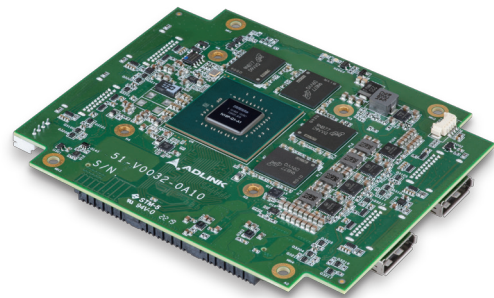
# CM5-P1000

PCIe/104 Type 1 Embedded Graphics Module with NVIDIA® Quadro® P1000

## Features

- PCIe/104 Type 1 (116 x 96 mm)
- 640 CUDA cores
- 1.8 TFLOPS peak FP32 performance
- 4GB GDDR5 memory
- 96GB/s maximum memory bandwidth
- 4x UHD DisplayPort outputs
- Wide operating temperature range: -40°C to +85°C

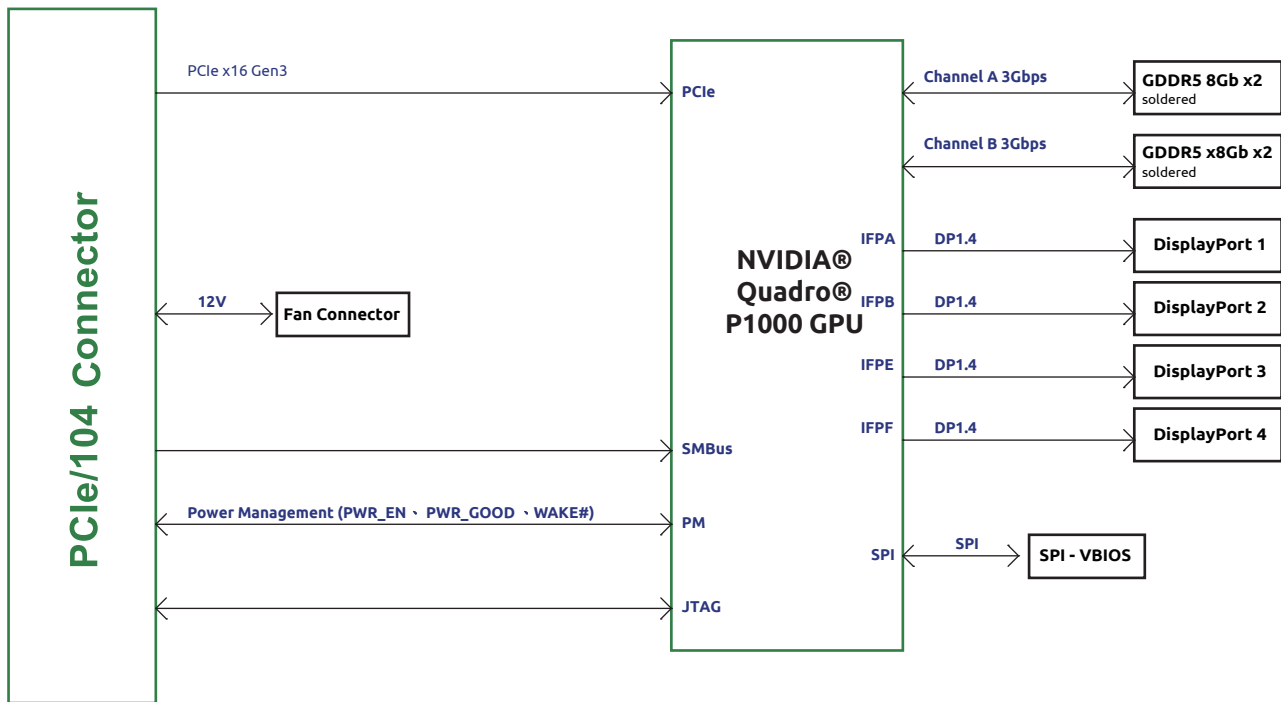
Preliminary



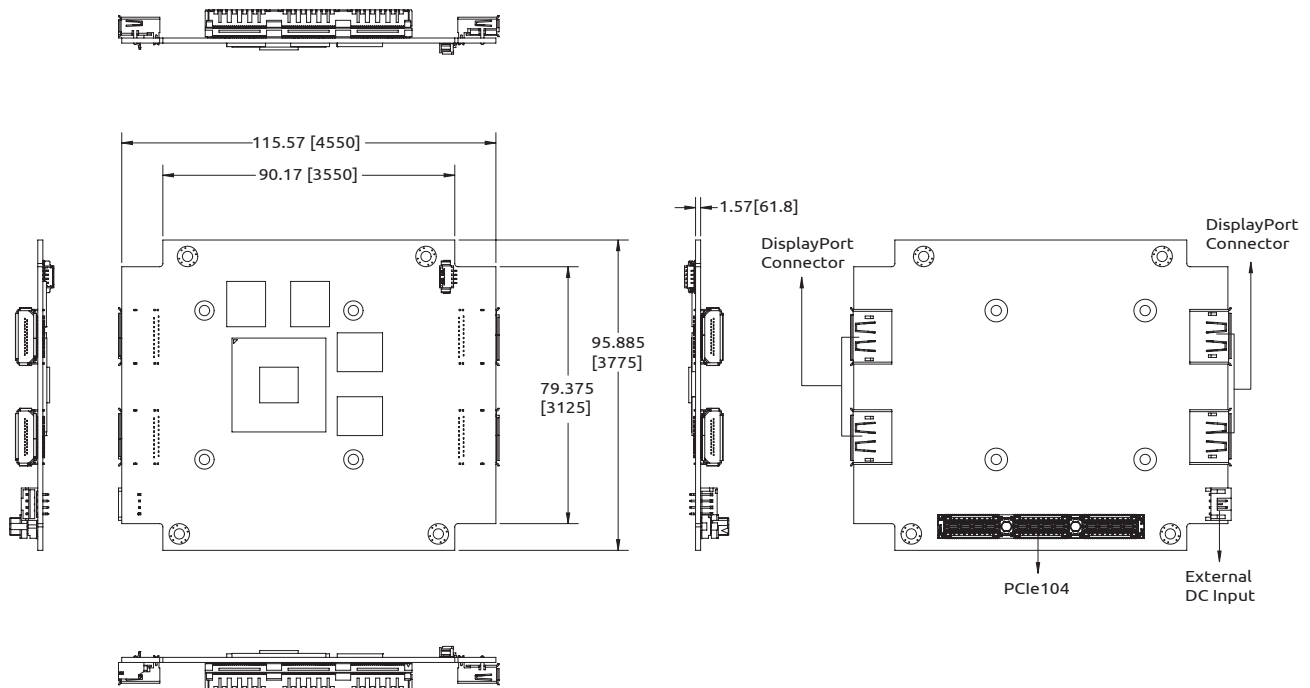
## Specifications

- **Graphics Core**  
**Architecture**  
NVIDIA® Pascal™ GP107, 640 CUDA cores  
**GPU**  
Quadro® P1000  
**Display Outputs**  
4x DisplayPort 1.4 digital video outputs  
**Signal Interface**  
PCI Express x16 Gen3 bus
- **GPGPU Computing**  
**GFLOPS**  
1.8 TFLOPS peak FP32 performance  
**CUDA Support**  
CUDA Toolkit 8.0, CUDA Compute version 6.1  
OpenCL™ 1.2, DirectX® 12, OpenGL 4.5, Vulkan 1.0
- **Memory**  
**GDDR5 Memory**  
4GB  
**Memory Width**  
128-bit  
**Bandwidth**  
96 GB/s
- **Physical Dimensions**  
116 (W) x 96 (D) mm  
**Interface**  
PCIe/104 type 1
- **Environmental**  
**Operating Temp.**  
-40°C to 85°C  
**Storage Temp.**  
-40°C to 85°C  
**Operating Humidity**  
95% @40°C (non-condensing)
- **Operating Systems**  
**Supported OS**  
Windows 7/10  
Linux 64-bit

## Functional Diagram



## Mechanical Drawings



## Ordering Information

- **CM5-P1000**

PCIe/104 Type 1 Graphics module, NVIDIA Quadro P1000 (640 CUDA cores), 4GB GDDR5, 0°C to +60°C

- **CM5-P1000-ETT**

PCIe/104 Type 1 Graphics module, NVIDIA Quadro P1000 (640 CUDA cores), 4GB GDDR5, -40°C to +85°C

For other GPU, memory, I/O configurations or conformal coating please contact your local sales representative.