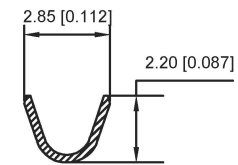
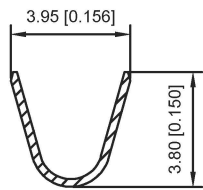
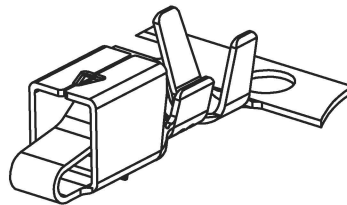
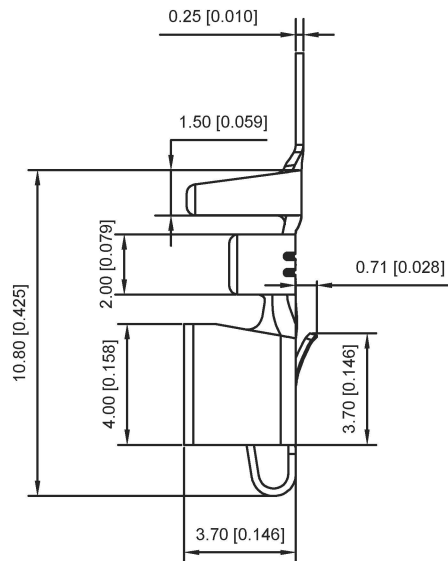


SECTION A-A
SCALE 1: 1



SECTION B-B
SCALE 1: 1



■ Specifications :

- Voltage rating: 250V AC / DC
- Current rating: 7A AC / DC
- Withstanding voltage: 1500V AC/minute
- Temperature range: -25°C~+85°C
- Insulation resistance: $\geq 1000M \Omega$
- Contact resistance: $\leq 10m\Omega$
- After environmental testing : $\leq 20m\Omega$

X9396 T -B SN

① ② ③ ④

- ① Series No.
- ② Category : T-terminal
- ③ Material: B-Brass
- ④ Plating style: SN-Bright tin plating

Poles	Dimensions(mm)		Poles	Dimensions(mm)	
	A	B		A	B
02	3.96	8.30	09	31.68	36.30
03	7.92	12.30	10	35.64	40.30
04	11.88	16.30	11	39.60	44.30
05	15.84	20.30	12	43.56	48.30
06	19.80	24.30	13	47.52	52.30
07	23.76	28.30	14	51.48	56.30
08	27.72	32.30	15	55.44	60.30

X9396T-BSN	Brass	AWG#18-22	3.00mm(Max)	Stamping Before Plating:30u" Ni;70u"Sn	X9396H
PART NO	Material	Wire Range	Insulation O.D.	Finish	Suitable XKB Terminal

广东星坤科技股份有限公司

生效

ΔX	日期
ΔX	日期
ΔX	日期
MARK	DESCRIPTION

REVISIONS

UNSPECIFIED TOLERANCES

DSND	DATE	SCALE: N/A	MODEL TYPE: X9396T-PSN
DWN	DATE	VIEW:	PART NO.: 3.96mm Crimp Style Connectors
CHKD	DATE	UNIT: mm/in	DWG NO.: X9396T-PSN
APPD	DATE	SIZE: A4	
XKB INDUSTRIAL PRECISION CO., LIMITED			WEIGHT 1.0g
			SHEET 1/1
			REVISION A0

文件工程章

www.xk-dg.cn www.helloxkb.com www.helloxkb.cn