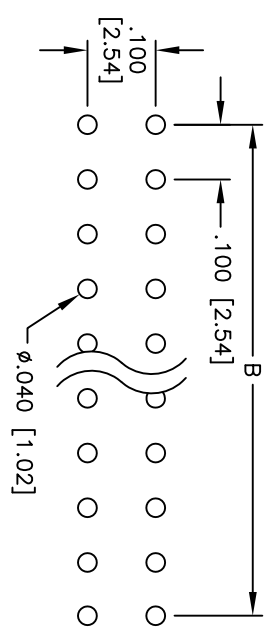
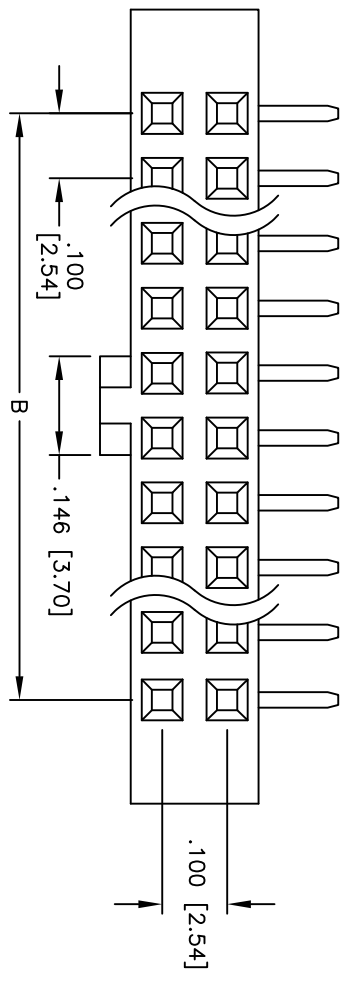
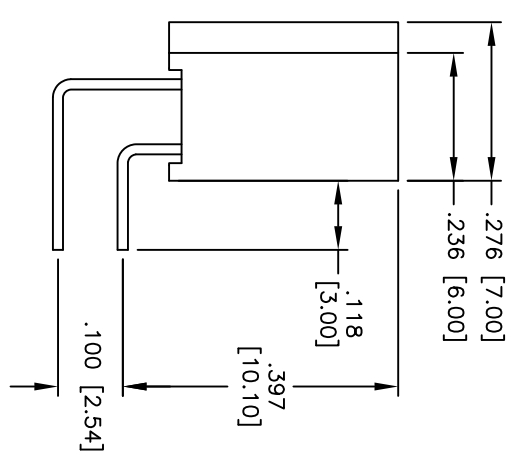
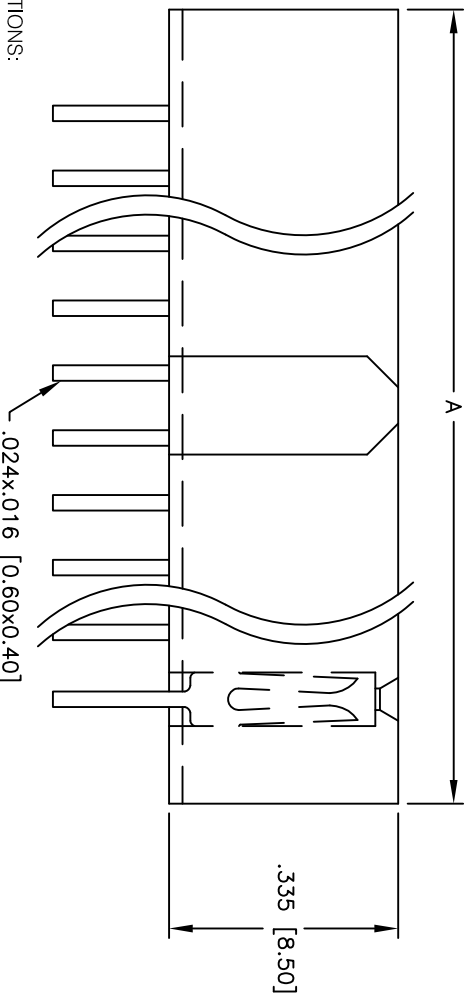


Rev	AWO #	Description	Date	Appr
-		RELEASED	1/5/11	

APPROVED: \_\_\_\_\_  
 DATE: \_\_\_\_\_ TITLE: \_\_\_\_\_



RECOMMENDED PCB LAYOUT



SPECIFICATIONS:  
 Material: Insulator: Hi-temp thermoplastic, rated UL 94V-0  
 Insulator color: Black  
 Contacts: Phosphor Bronze  
 Plating: Gold flash over Nickel underplate overall

Positions: 06 thru 72  
 A = .100 [2.54] x No. of Spaces + .292 [7.42]  
 B = .100 [2.54] x No. of Spaces

Electrical:  
 Operating voltage: 250 VAC max.  
 Current rating: 3 Amps max.  
 Contact resistance: 20 mohms max. initial  
 Insulation resistance: 1000 MW min.  
 Dielectric withstanding voltage: 600 VAC for 1 minute  
 Temperature Rating:  
 Operating temperature: -40°C to +105°C  
 Environmental:  
 Lead free, RoHS compliant  
 Recommended soldering temp: 260°C for 5 seconds



UNLESS OTHERWISE SPECIFIED	
ALL DIMENSIONS ARE INCHES [MM]	
TOLERANCES: EXCEPT AS NOTED	
INCHES	HOLDS
.X ± .10	ØXX ± .10
.XX ± .020	ØXXX ± .015
.XXX ± .015	ØXXXX ± .010
APPROVALS	
DRAWN	AY
CHECKED	VW
DATE	1/5/11

**ADAM TECH**  
 909 Rahway Avenue, Union, NJ 07083  
 Phone: 908-687-5000 Fax: 908-687-5710

TITLE: .100 x .100 DUAL ROW FEMALE HEADER  
 .335 [8.50] HEIGHT, POLARIZING BUMP

SIZE: X  
 PART NO.: RSBR-XX-G-HT  
 REF: S00032T

REV.	DATE	BY	APP.
1	1/5/11	AY	VW