

CATEGORY	DESCRIPTION	P/N #
CONNECTOR	Modular Jack, 8P8C, SMT H=4.60mm	MU88-XX11-KRS1

REV.	ECN NO	DESCRIPTION	REVISED	DATE
A01		New Release	XSY	2013.12.17
A02		新增颜色选项	LCZ	2017.06.30

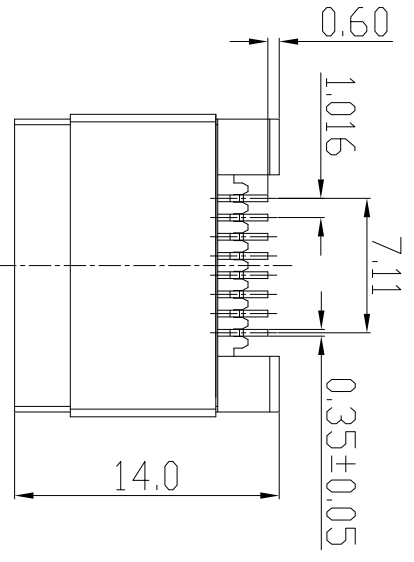


Table 1

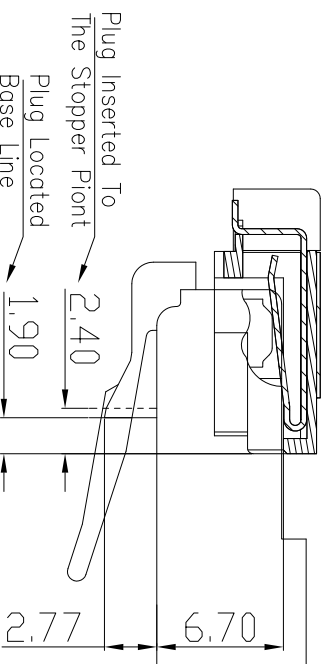
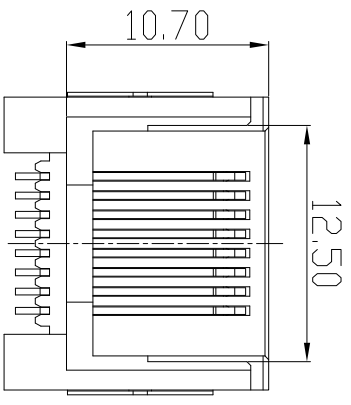
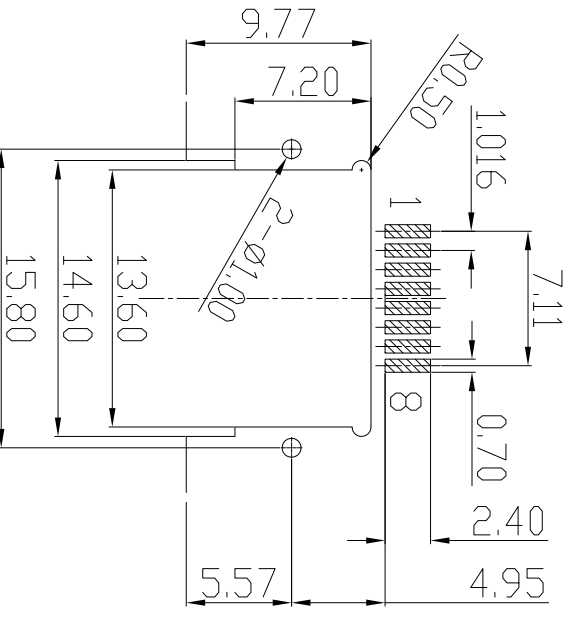
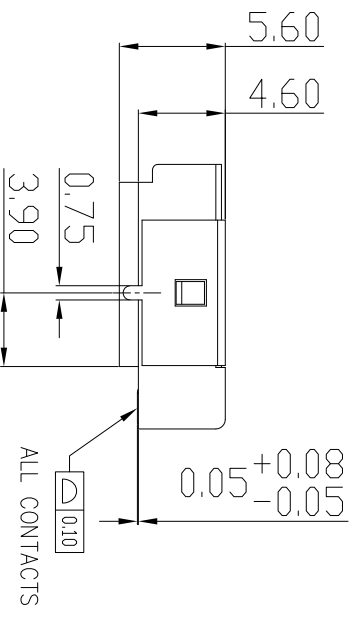
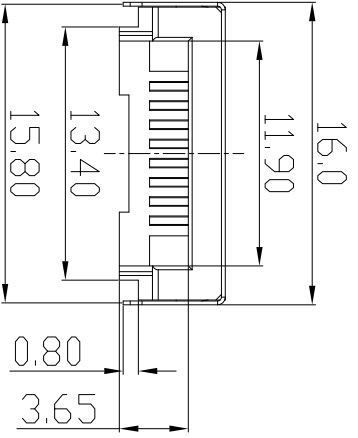
X	PART COLOR	X	Terminal Plating
B	LCP BLACK	0	Au 1u" Plating
W	PA9T WHITE	1	Au 3u" Plating
		2	Au 6u" Plating
		3	Au 15u" Plating

MU88-XX11-KRS1

X	Terminal Plating
0	Au 1u" Plating
1	Au 3u" Plating
2	Au 6u" Plating
3	Au 15u" Plating

SPECIFICATION

- CURRENT RATING: 1.5AMPS
- VOLTAGE RATING: 125V AC
- INSULATION RESISTANCE: 500MΩ MIN.
- WITHSTAND VOLTAGE:
- AC1000V RMS 50Hz or 60Hz MIN.
- CONTACT RESISTANCE:30mΩ MAX.
- DURABILITY: 750 MATING CYCLES
- OPERATING TEMPERATURE: -25°C~+70°C



C	SHELL	1	BRASS T=0.2mm	Tin PLATING	
b	TERMINAL	8	PHOSPHOR BRONZE	Au/Tin PLATING	
a	HOUSING	1	SEE TABLE1 UL94V-0	SEE TABLE1	
NO.	PART NAME	QTY	MATERIAL	PLATING & COLOR	Remark

UNLESS OTHERWISE SPECIFIED TOLERANCES

DECIMALS: ANGLES:

X :±0.5 X :±2°

XX :±0.3 XX :±1°

XXX :±0.2

东莞市合陵电子有限公司
Dongguan Heling Electronic Co.,LTD

SCALE:1/1 UNIT: mm DWG.NO: WJ-061-094

SIZE: A3 PAGE:1 OF 1 REV:A02

APPROVED BY: XSY CHECKED BY: XSY PREPARED BY: XSY

DICK: XSY

CUSTOMER COPY