

671001PS
 (ON 01M1VH)台要図

DESIGNATION

MM50-200B*-*E
 SERIES PREFIX シリーズ名
 NO. OF CONTACTS 芯数
 SOCKET TYPE ソケットタイプ
 B: LATCH TYPE SMT
 錫または錫合金(無鉛)
 (LEAD FREE)TIN/TIN ALLOY
 CONTACT FINISH 接点仕上げ
 1: Au(0.1μm MIN) OVER NI
 2: Au(0.3μm MIN) OVER NI
 KEYING TYPE (DETAIL A) 2: TYPE B(1.8V)
 キータイプ 1: TYPE A(2.5V)

版数 REV.	年月日 DATE	DCN NO.	変更内容 DESCRIPTION	製図 DR.	担当 CHK.	査閲 APPD.	承認 APPD.
2	10.Feb.2006	059307	CORRECTION OF ERROR IN WRITTING	E.MURANO	Y.YAHIRO		K.HIATSUMI

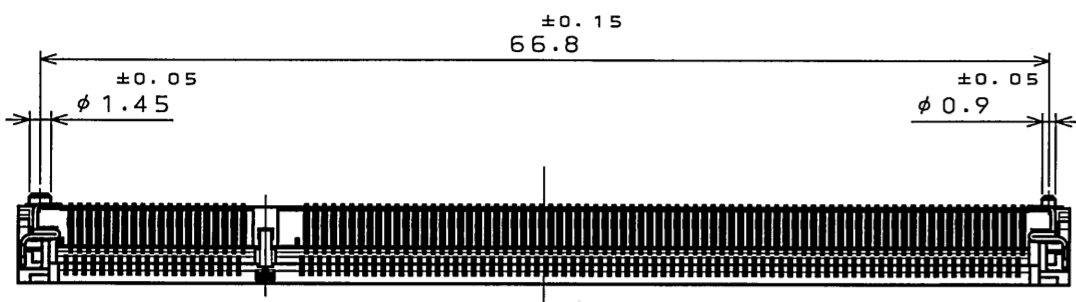


TABLE 2

PARTS NAME	CONTACT AREA	SOLDERING AREA
MM50-200B*-1E	Au(0.1μm Min.) OVER NI	GOLD FLASH OVER NI
MM50-200B*-2E	Au(0.3μm Min.) OVER NI	GOLD FLASH OVER NI

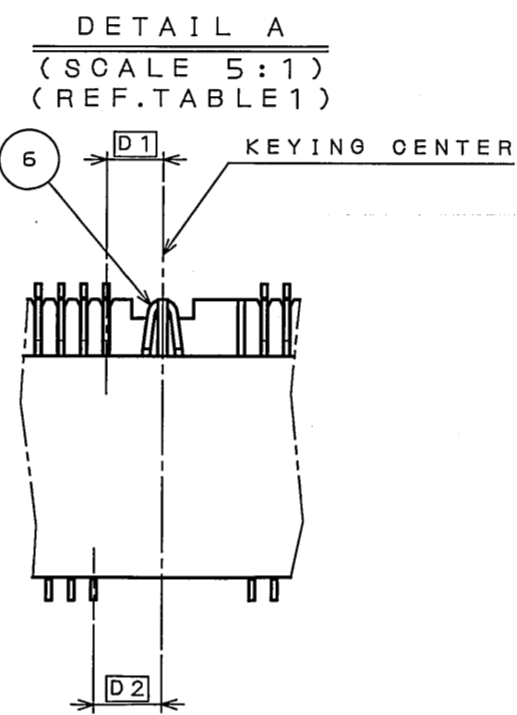
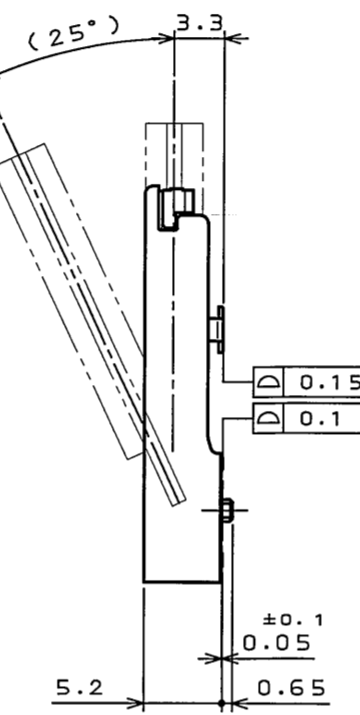
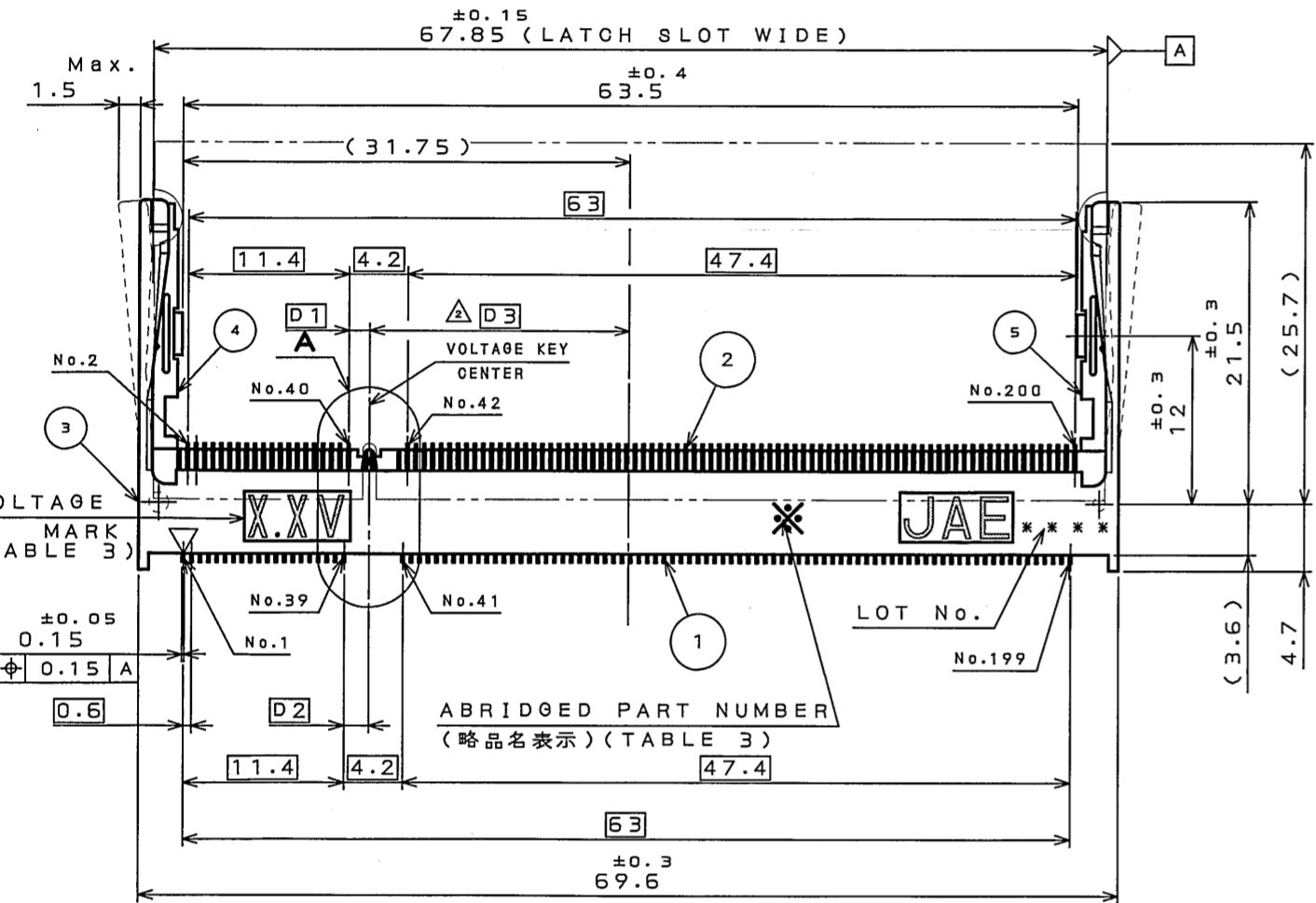
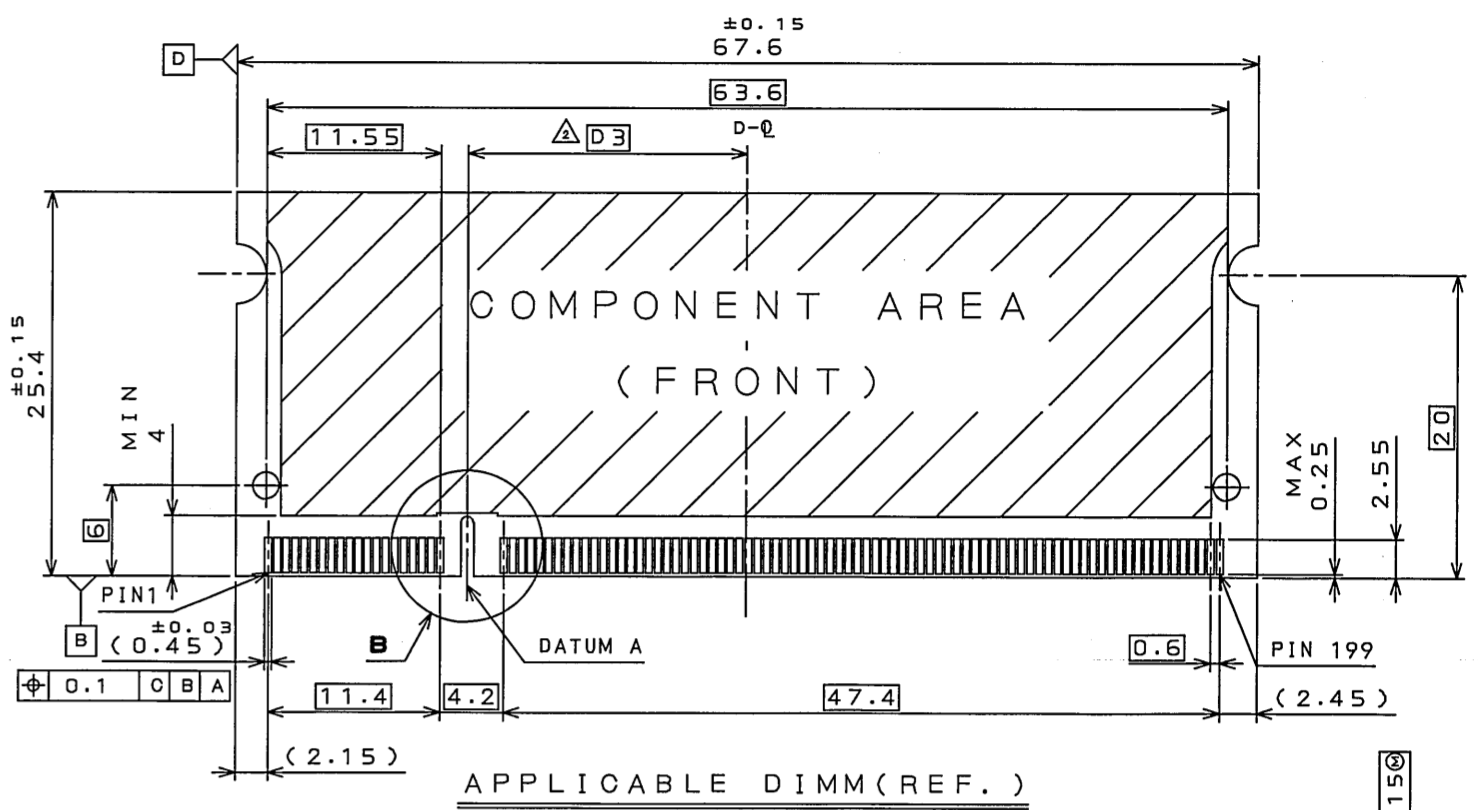


TABLE 3

PARTS NAME	VOLTAGE MARK	ABRIDGED PART NUMBER
MM50-200B1-*E	2.5V	*E
MM50-200B2-*E	1.8V	2-*E

APPLICABLE P.C.B. DIMENSION (REF.)
 適合基板寸法(参考)

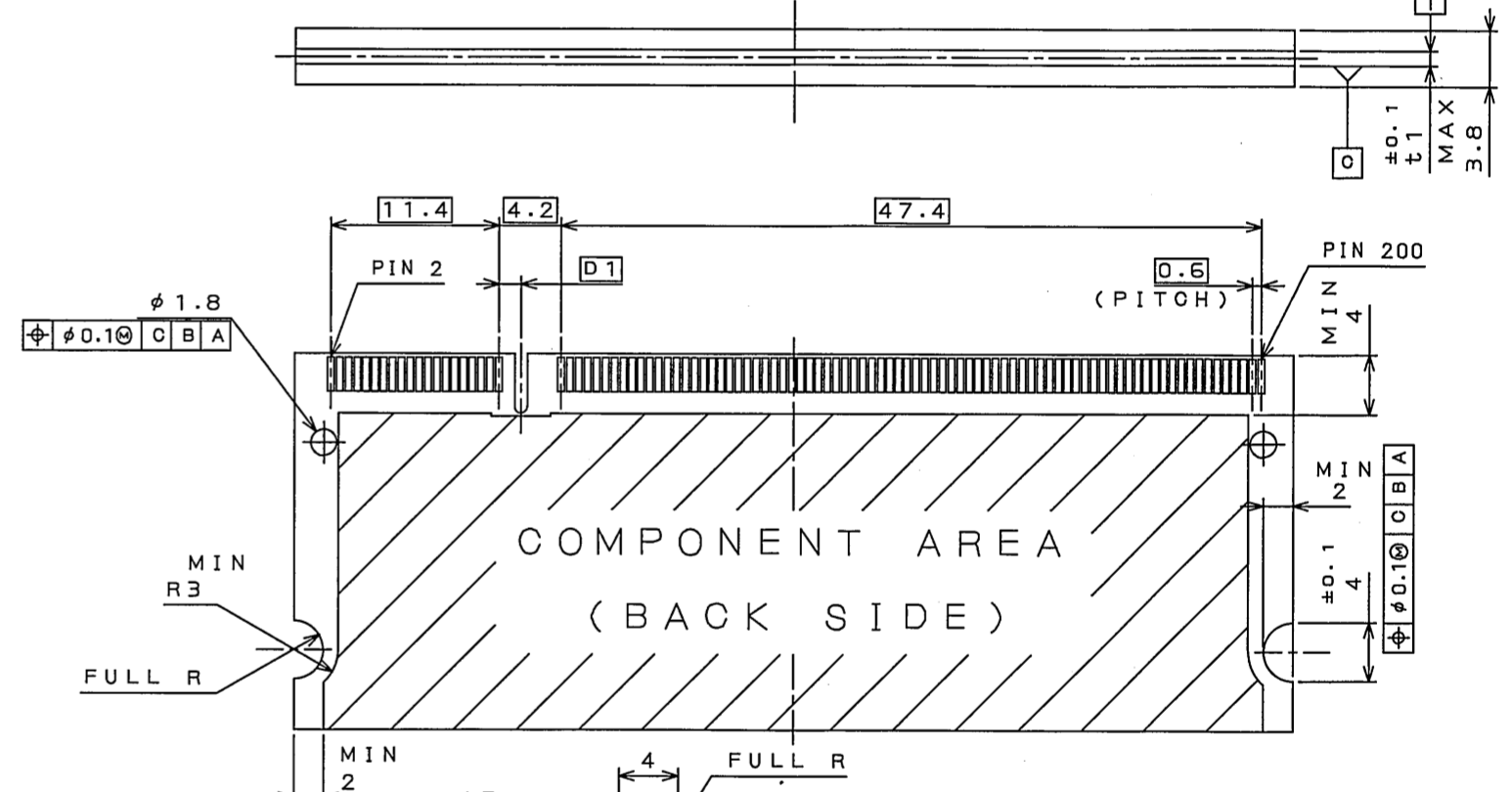
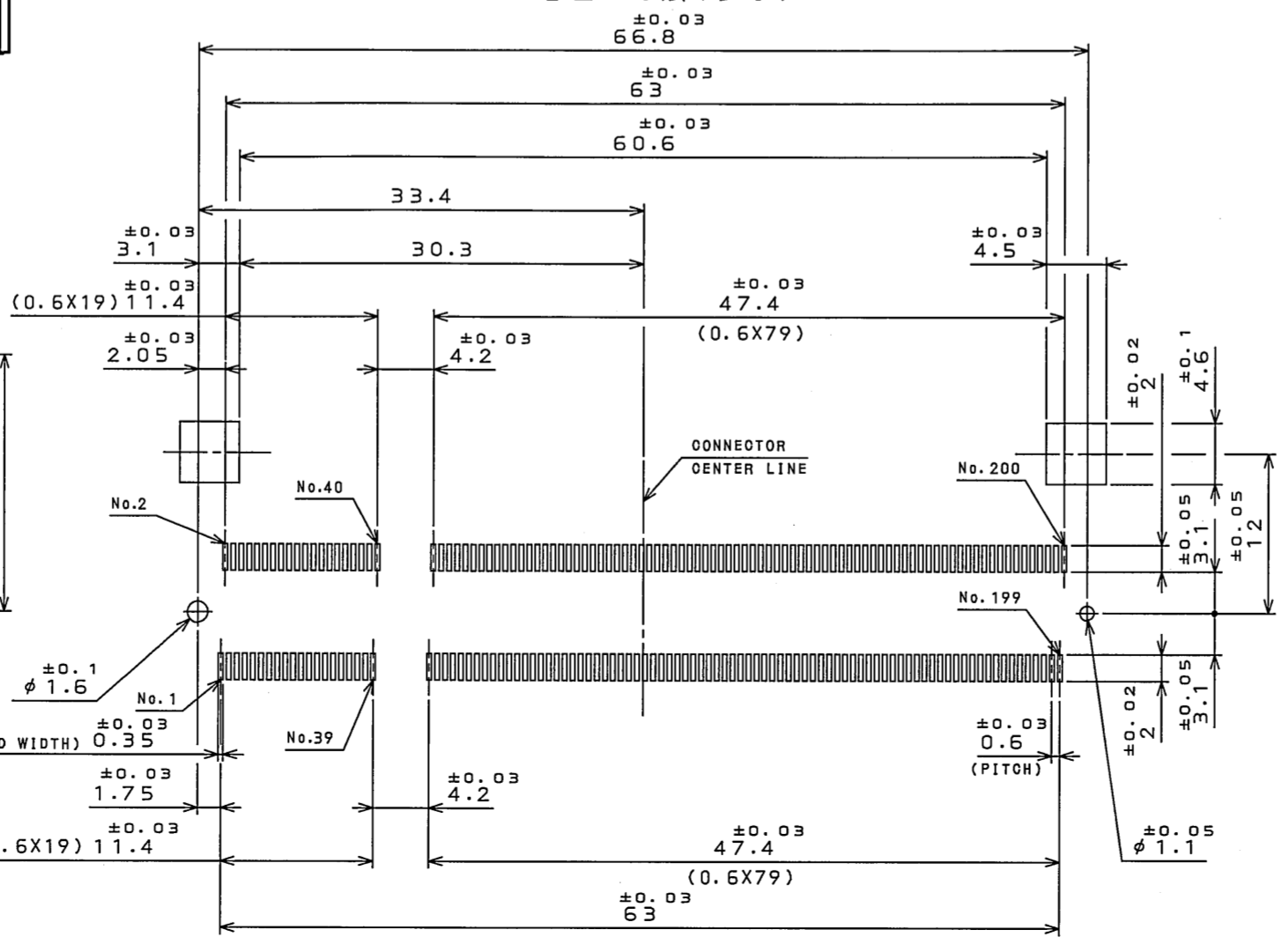
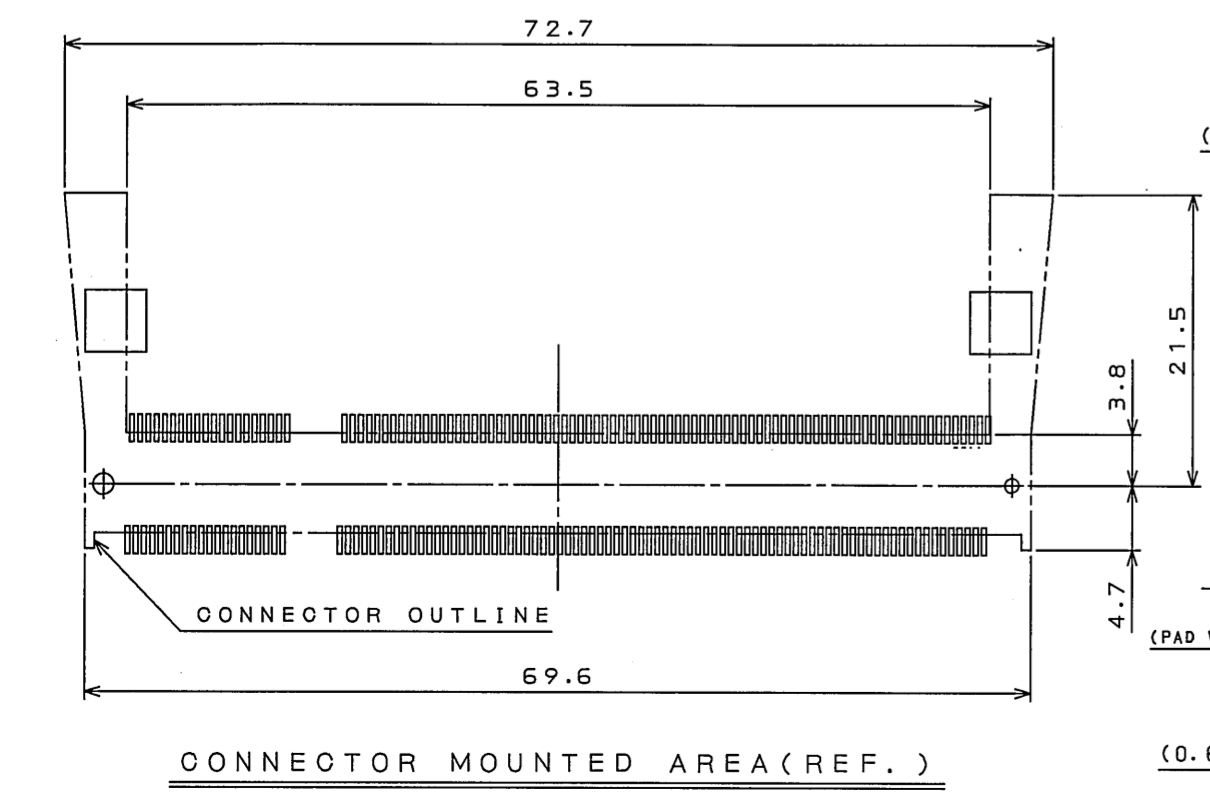
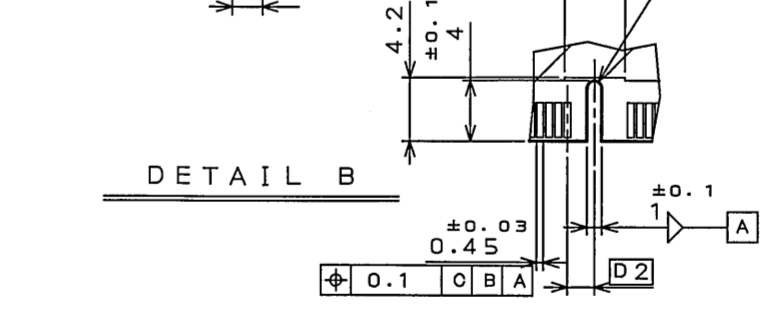


TABLE 1

POWER SUPPLY	D1	D2	D3
2.5V (TYPE A)	1.5	1.8	18.45
1.8V (TYPE B)	2.4	2.7	17.55



KEY	1	2	3	4	5	6
KEY	1	2	3	4	5	6
STAINLESS	1	2	1	1	1	1
PHOSPHOR BRONZE TIN PLATING	1	1	1	1	1	1
PHOSPHOR BRONZE TIN PLATING	1	1	1	1	1	1
GLASS FILLED LCP	1	1	1	1	1	1
PHOSPHOR BRONZE	100	100	100	100	100	100
PHOSPHOR BRONZE	100	100	100	100	100	100

DOF-0-213F(05.08)

LEAD FREE この製品は鉛フリー品です

版数 (REV.)
 2