



MODEL: WT-1205
PRODUCT: Electromagnetic Buzzer
EDITION: A/2016

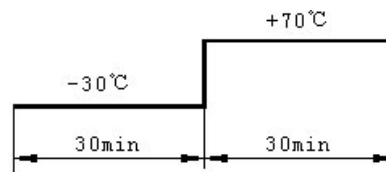
THIS SPECIFICATION APPLIES TO THE ELECTROMAGNETIC BUZZER

SPECIFICATION

item	unit	specification	condition
oscillation frequency	Hz	2400	Vo-p=1/2 duty, square wave
operating voltage	Vo-p	4 ~ 6	
rated voltage	Vo-p	5	
current consumption	mA	MAX.50	At rated voltage
sound pressure level	dB	MIN.87	At 10cm at rated voltage
coil resistance	Ω	47 ± 7	
operating temperature	°C	-20 ~ +70	
storage temperature	°C	-30 ~ +75	
dimension	mm	φ12.0×H9.5	See appearance drawing.
weight (max)	gram	2.0	
housing material		PBT	
leading pin		Tin plated brass(Sn)	See appearance drawing
environmental protection regulation		RoHS	

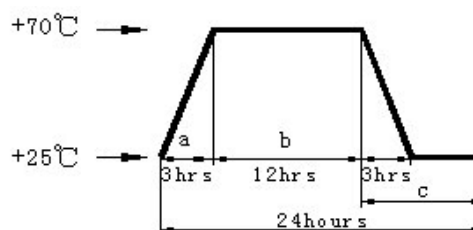
RELIABILITY TEST

item	test condition and requirement
high temperature test (storage)	After being placed in a chamber with 70°C for 96 hours and then being placed in normal condition for 2 hours. Allowable variation of SPL after test: ±10dB.
low temperature test (storage)	After being placed in a chamber with -30°C for 96 hours and then being placed in normal condition for 2 hours. Allowable variation of SPL after test: ±10dB.
thermal shock	The part will be subjected to 5 cycles. One cycle shall be consist of:



Allowable variation of SPL after test: ±10dB.

temp./humidity shock	The part will be subjected to 5 cycles. One cycle shall be consist of:
----------------------	--



a, b: 90~98%RH
c: 80~98%RH

Allowable variation of SPL after test: ±10dB.



MODEL: WT-1205
PRODUCT: Electromagnetic Buzzer
EDITION: A/2016

RELIABILITY TEST (CONTINUED)

item	test condition and requirement
drop test	Drop on a hard wood board of 4cm thick, any directions , 9 times, at the height of 75cm . Allowable variation of SPL after test: $\pm 10\text{dB}$
vibration test	After being applied vibration of amplitude of 1.5mm with 10 to 55 Hz band of vibration frequency to each of 3 perpendicular directions for 2 hours. Allowable variation of SPL after test: $\pm 10\text{dB}$.
solderability test	Lead terminals are immersed in rosin for 5 seconds and then immersed in solder bath of $+270\pm 5^\circ\text{C}$ for 3 ± 1 seconds . 90% min. lead terminals will be wet with solder (Except the edge of terminals).
terminal strength pulling test	The force of 9.8N(1.0kg) is applied to each terminal in axial direction for 10 seconds. No visible damage and cutting off.
soldering heat resistance	Lead terminal are immersed up to 1.5mm from sounder`s body in solder bath of $+260\pm 5^\circ\text{C}$ for 3 ± 1 seconds.
operating life test	HIGH TEMPERATURE The part will be subjected to 72 hours at $+55^\circ\text{C}$ with 5V, 2400Hz applied. ORDINARY TEMPERATURE A duty cycle of 1 minute on 1 minutes off a minimum of 10000 times at room temp ($+25\pm 10^\circ\text{C}$) with 5.0V 2400Hz applied.

TEST CONDITION

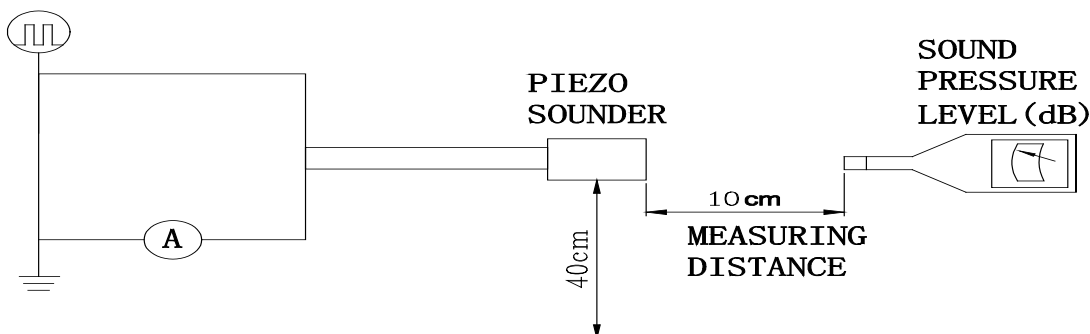
Standard Test Condition: a) Temperature : $+5 \sim +35^\circ\text{C}$ b) Humidity : 45 ~ 85% c) Pressure : 860 ~ 1060mbar

TESTING METHOD

Standard Measurement conditions : Temperature: $25\pm 2^\circ\text{C}$ Humidity: 45 ~ 65%

ACOUSTIC CHARACTERISTICS:

The oscillation frequency, current consumption and sound pressure are measured by the measuring instruments shown below:

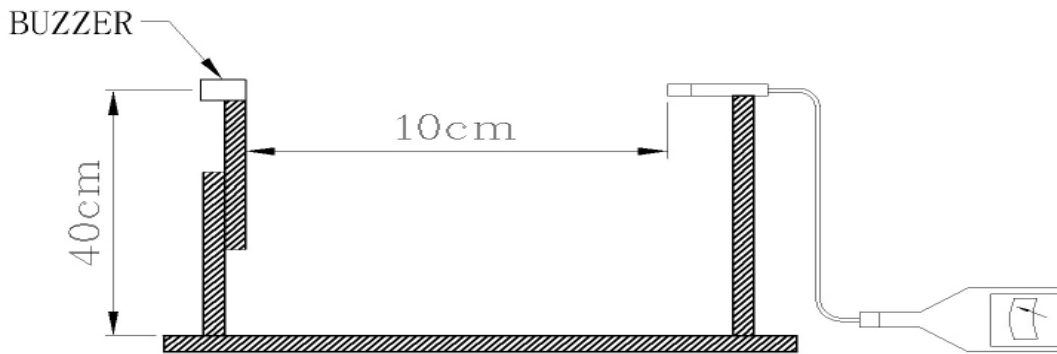




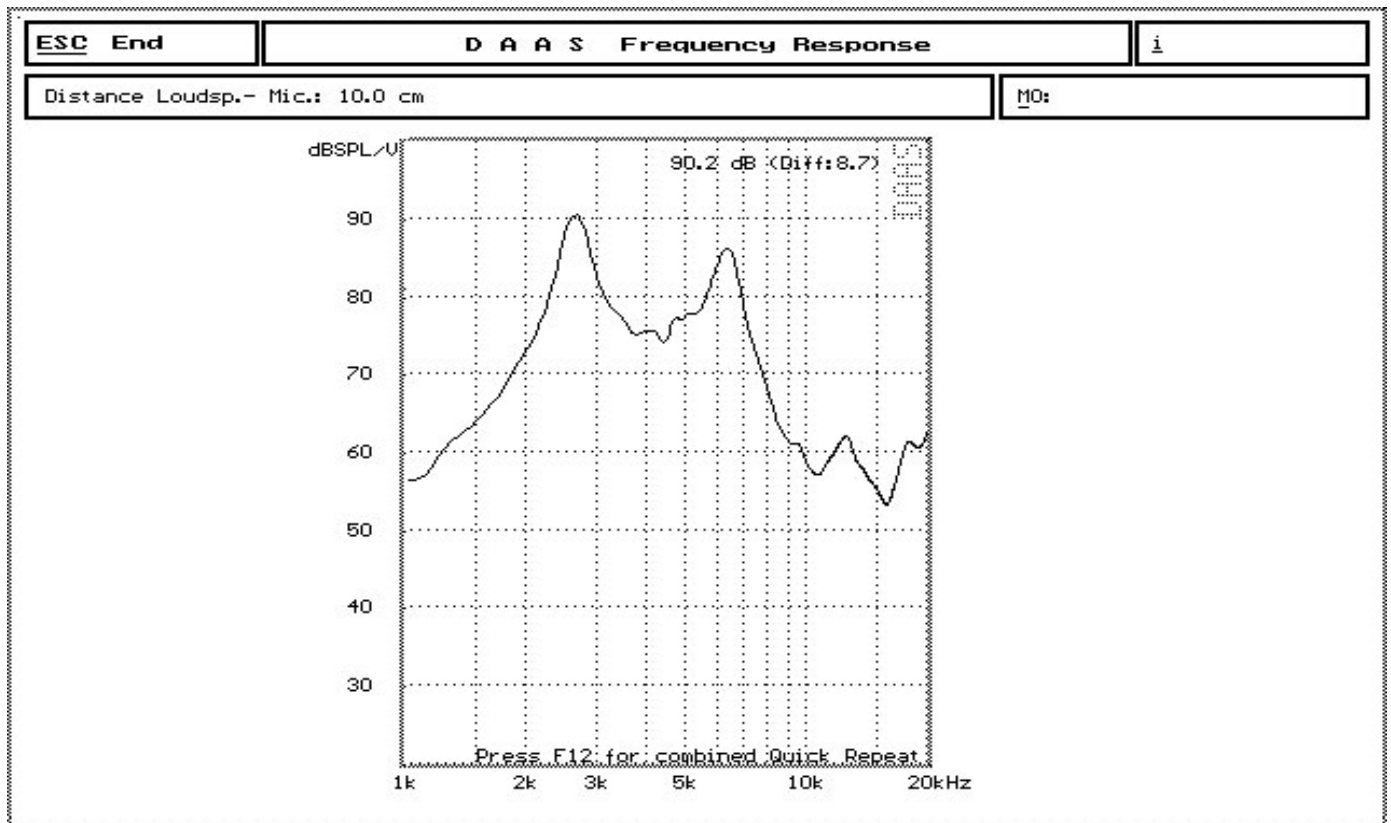
MODEL: WT-1205
PRODUCT: Electromagnetic Buzzer
EDITION: A/2016

TESTING METHOD (CONTINUED)

In the measuring test, buzzer is placed as follows:



TYPICAL FREQUENCY RESPONSE CURVE

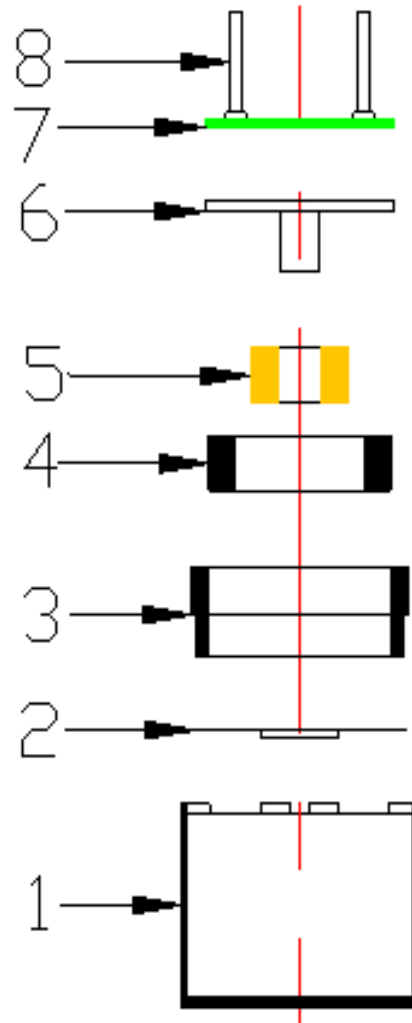
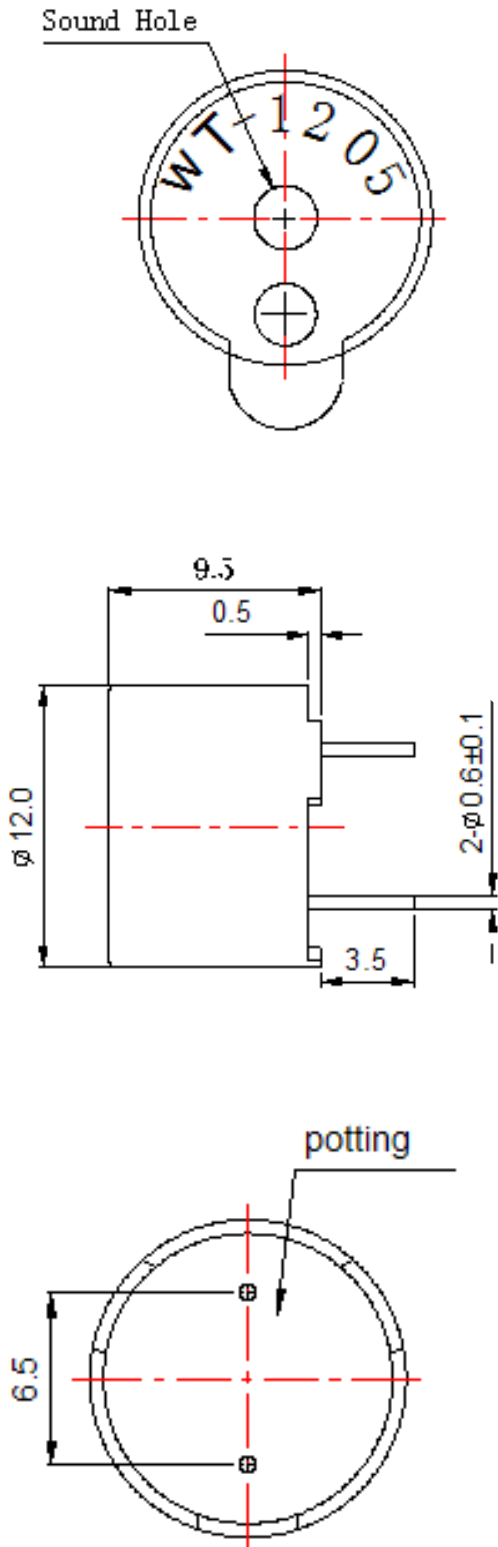




MODEL: WT-1205
PRODUCT: Electromagnetic Buzzer
EDITION: A/2016

DIMENSIONS

Tolerance: ±0.5 (unit: mm)



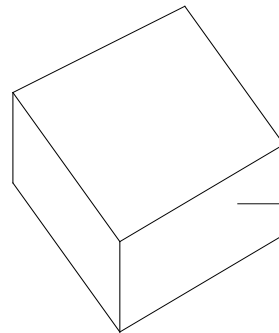
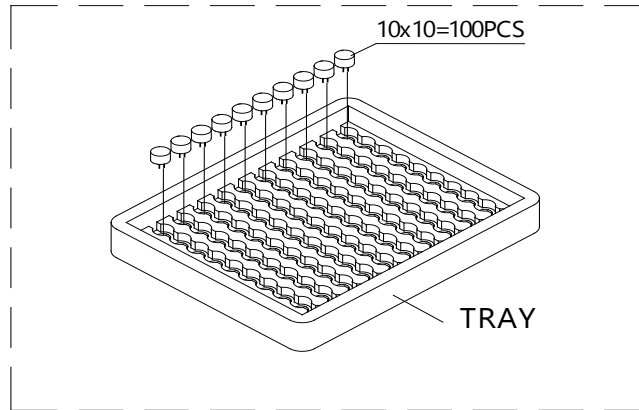
no	components	material	quantity
1	Cover	PBT	1
2	Diaphragm	Iron	1
3	Base	PPO	1
4	Magnet	NdFeB	1
5	Coil	Copper	1
6	Core	Iron	1
7	PCB	Epoxy glass fiber cloth + copper	1
8	PIN	Copper	2



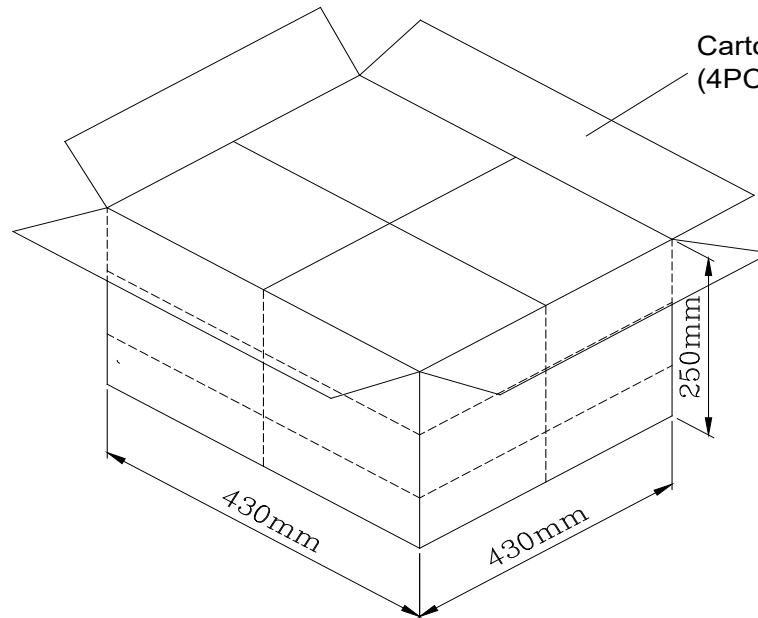
MODEL: WT-1205
PRODUCT: Electromagnetic Buzzer
EDITION: A/2016

Soberton Inc.

PACKING



Out Box
(10PCS Tray)



Carton BOX
(4PCS Out Bo)

packing box	L x W x H (mm)	pieces
Tray	190 x 190 x 25	1 x 100 = 100pcs
Out box	210 x 210 x 220	10 x 100 = 1,000pcs
Carton box	430 x 430 x 250	4 x 1000 = 4,000pcs