

RL-5011

COMMON MODE TOROIDS

VERTICAL MOUNT

DESCRIPTION

- Vertical Mount Toroids

ENVIRONMENTAL DATA

- Storage temperature range: -55°C to +130°C
- Operating temperature range: Contact Engineering

PACKAGING INFORMATION

- Packaging information: pg. 510

FEATURES & APPLICATIONS

- Effective in filtering supply lines having in-phase signals of equal amplitude
- Allows equipment to meet FCC and electrical radiation specifications
- Broad frequency ranges can be filtered
- Typical applications include: power line filter, suppress EMI in switched-mode, and power supplies
- Dielectric withstanding voltage rated at 2000 VAC line to line

Verify operation with sample in actual circuit. Order samples at www.rencousa.com.

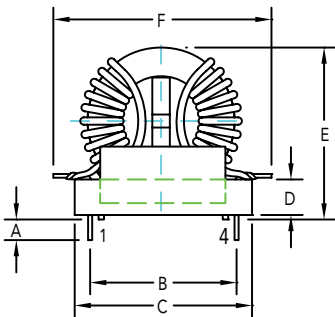
MECHANICAL DIMENSIONS

U.S. Standard (mm)

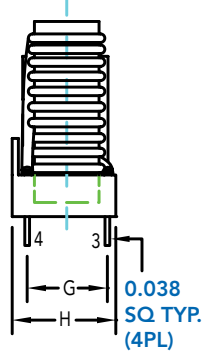
PART NUMBER	A (MIN.)	B	C (MAX.)	D (MAX.)	E (MAX.)	F (MAX.)
RL-5011	0.250 (6.35)	0.80 (20.32)	1.00 (25.40)	0.20 (5.08)	1.30 (33.02)	1.35 (34.29)

PART NUMBER	PART WEIGHT	G	H (MAX.)	I (REF.)	J (REF.)
RL-5011	25.0g (0.88oz)	0.40 (10.16)	0.70 (17.78)	0.80 (20.32)	0.40 (10.16)

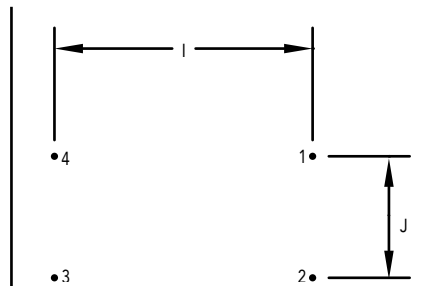
FRONT VIEW



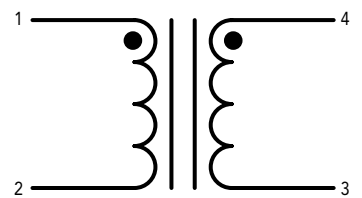
SIDE VIEW



RECOMMENDED LAND PATTERN



SCHEMATIC

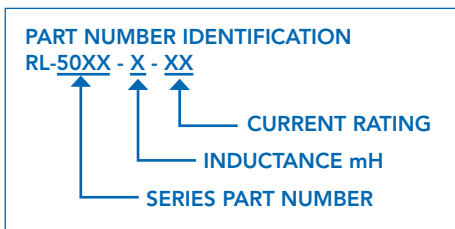


RL-5011

Renco Part No. RL-5011	Inductance (mH)-0+60%	DCR Max. (Ohms)	Leakage Inductance (μH) Typ.
RL-5011-5-1	5.0	0.244	85.0
RL-5011-8-1	8.0	0.280	80.0
RL-5011-15-1	15.0	0.290	100.0
RL-5011-2.5-2	2.5	0.088	43.0
RL-5011-4.0-2	4.0	0.080	40.0
RL-5011-7.5-2	7.5	0.100	60.0
RL-5011-1.3-4	1.3	0.034	32.0
RL-5011-2.1-4	2.1	0.032	28.0
RL-5011-3.7-4	3.7	0.039	40.0
RL-5011-1.0-6	1.0	0.025	25.0
RL-5011-1.7-6	1.7	0.021	20.0
RL-5011-3.0-6	3.0	0.031	31.0
RL-5011-0.6-9	0.6	0.013	20.0
RL-5011-1.1-9	1.1	0.015	15.0
RL-5011-1.9-9	1.9	0.020	24.0
RL-5011-3.0-9	3.0	0.030	23.0
RL-5011-0.5-12	0.5	0.010	17.0
RL-5011-0.8-12	0.8	0.010	20.0
RL-5011-1.4-12	1.4	0.012	28.0
RL-5011-0.3-15	0.3	0.008	15.0
RL-5011-0.6-15	0.6	0.009	15.0
RL-5011-1.1-15	1.1	0.010	23.0

NOTES:

1. ELECTRICAL SPECIFICATIONS MEASURED AT 25°C
2. ALL TERMINALS 0.038 SQUARE (WILL FIT PRINTED BOARD HOLE = #16 AWG)
3. INDUCTANCE TESTED AT 10 kHz, 0.25 Vrms



RENCO ELECTRONICS INC.

595 International Place, Rockledge, FL 32955-4200 USA • www.rencousa.com • ISO 9001 Certified
 Toll Free Engineering Hot Line: 800.645.5828 • P: 321.637.1000 • F: 321.637.1600

