

DATA SHEET

TX51/32/19
Ferrite toroids

Supersedes data of September 2004

2008 Sep 01

Ferrite toroids

TX51/32/19

RING CORES (TOROIDS)

Effective core parameters

SYMBOL	PARAMETER	VALUE	UNIT
$\Sigma(l/A)$	core factor (C1)	0.73	mm ⁻¹
V_e	effective volume	21500	mm ³
l_e	effective length	125	mm
A_e	effective area	172	mm ²
m	mass of core	≈ 100	g

Coating

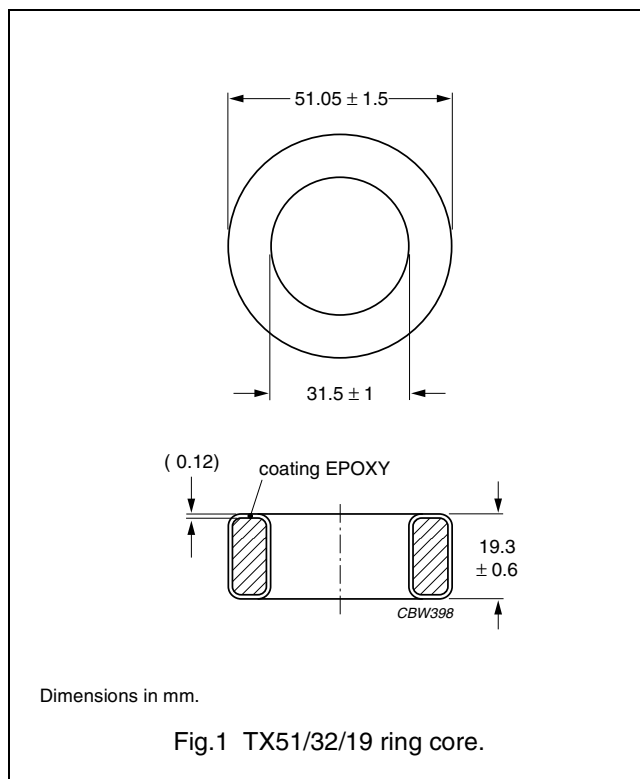
The cores are coated with epoxy, flame retardant in accordance with "UL 94V-0"; UL file number E 235873. The colour is white.

Maximum operating temperature is 200 °C.

Isolation voltage

DC isolation voltage: 2000 V.

Contacts are applied on the edge of the ring core, which is also the critical point for the winding operation.



Ring core data

GRADE	A_L (nH)	μ_i	TYPE NUMBER
3F3 <small>des</small>	3200 ± 20%	≈ 1800	TX51/32/19-3F3
3C90	3980 ± 20%	≈ 2300	TX51/32/19-3C90
3C81	4800 ± 20%	≈ 2700	TX51/32/19-3C81
3E25	8890 ± 20%	≈ 5000	TX51/32/19-3E25
3E27 <small>des</small>	8890 ± 20%	≈ 5000	TX51/32/19-3E27
3E6	17300 ± 30%	≈ 10000	TX51/32/19-3E6

Properties of cores under power conditions

GRADE	B (mT) at	CORE LOSS (W) at		
	H = 250 A/m; f = 25 kHz; T = 100 °C	f = 25 kHz; B = 200 mT; T = 100 °C	f = 100 kHz; B = 100 mT; T = 100 °C	f = 400 kHz; B = 50 mT; T = 100 °C
3C81	≥320	≤ 4.4	–	–
3C90	≥320	≤ 2.4	≤ 2.4	–
3F3	≥320	–	≤ 2.4	≤ 4.1

DATA SHEET STATUS DEFINITIONS

DATA SHEET STATUS	PRODUCT STATUS	DEFINITIONS
Preliminary specification	Development	This data sheet contains preliminary data. Ferroxcube reserves the right to make changes at any time without notice in order to improve design and supply the best possible product.
Product specification	Production	This data sheet contains final specifications. Ferroxcube reserves the right to make changes at any time without notice in order to improve design and supply the best possible product.

DISCLAIMER

Life support applications — These products are not designed for use in life support appliances, devices, or systems where malfunction of these products can reasonably be expected to result in personal injury. Ferroxcube customers using or selling these products for use in such applications do so at their own risk and agree to fully indemnify Ferroxcube for any damages resulting from such application.

PRODUCT STATUS DEFINITIONS

STATUS	INDICATION	DEFINITION
Prototype		These are products that have been made as development samples for the purposes of technical evaluation only. The data for these types is provisional and is subject to change.
Design-in		These products are recommended for new designs.
Preferred		These products are recommended for use in current designs and are available via our sales channels.
Support		These products are not recommended for new designs and may not be available through all of our sales channels. Customers are advised to check for availability.