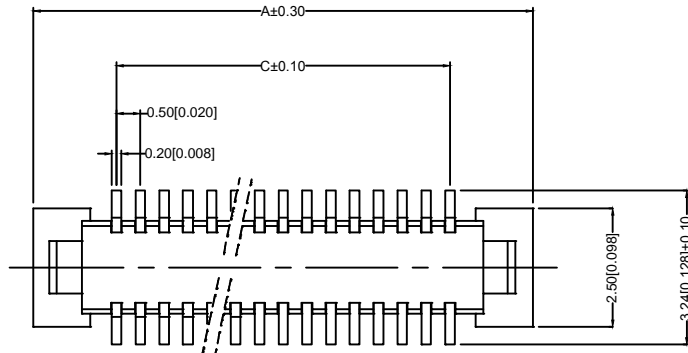


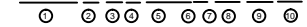
RECOMMENDED PCB PATTERN DIM.
TOLERANCE : ±0.05



Specifications:

- Voltage rating:50V AC/DC
50V AC/DC
- Current rating:0.5A AC/DC
0.5A AC/DC
- Withstanding voltage:1500V AC/minute
500V AC/
- Temperature range:-25 +85
-25 +85
- Insulation resistance:≥1000MΩ
≥1000MΩ
- Contact resistance:≤55mΩ
≤20mΩ
- After environmental testing:≤40mΩ
≤40

X0511 W V S-XX X X S- LP V01



- 1.Series No
- 2.Category:W-WAFER
- 3.Welding Board Angle:V-Straight 180°
- 4.Welding Way:S-SMT
- 5.Row No-Pin No:XXP
- 6.Female Height:A:1.5mm;B:2.0mm;C:2.5
- 7.Male Height:D:0.5mm;
- 8.speclal No:S-With positioning Column
- 9.Material:LP-LCP
- 10.Metal plating:Gold Flash

HIGH	SOCKET(H1)
1.50	1.35
2.00	1.85
2.50	2.35

MATED HEIGHT	
X0511WVS-XXXXS-LPV01	
Single high	
X0511WVS-XXXXS-LPV01	

MATED HEIGHT	
Female Height	D:0.5
A:1.5	1.5
B:2.0	1.5
C:2.5	1.5

P数	尺寸			P数	尺寸		
	A	B	C		A	B	C
10	5.60	3.50	2.00	32	16.60	14.50	13.00
12	6.10	4.00	2.50	34	17.10	15.00	13.50
14	6.60	4.50	3.00	36	17.60	15.50	14.00
16	7.10	5.00	3.50	38	18.10	16.00	14.50
18	7.60	5.50	4.00	40	18.60	16.50	15.00
20	8.10	6.00	4.50	42	19.10	17.00	15.50
22	8.60	6.50	5.00	44	19.60	17.50	16.00
24	9.10	7.00	5.50	46	20.10	18.00	16.50
26	9.60	7.50	6.00	48	20.60	18.50	17.00
28	10.10	8.00	6.50	50	21.10	19.00	17.50
30	10.60	8.50	7.00	52	21.60	19.50	18.00
32	11.10	9.00	7.50	60	22.10	20.00	18.50
34	11.60	9.50	8.00	70	22.60	20.50	19.00
36	12.10	10.00	8.50	80	23.10	21.00	19.50
38	12.60	10.50	9.00				
40	13.10	11.00	9.50				
42	13.60	11.50	10.00				
44	14.10	12.00	10.50				
46	14.60	12.50	11.00				
48	15.10	13.00	11.50				
50	15.60	13.50	12.00				
52	16.10	14.00	12.50				

				ANGLAR	±5°		DSND		SCALE: N/A	MODEL TYPE:		
ΔX				L ≤ 4	±0.2		DWN		VIEW:	PART NO.:		
ΔX				4 < L ≤ 16	±0.3		CHKD		UNIT: mm/in	0.50mm IDC Style Connectors		
ΔX				16 < L ≤ 63	±0.4		APPD		SIZE: A4	DWG NO.:		
MARK	DESCRIPTION	DATE	REVISED	APPROVED	L > 63	±0.5				X0511WVS-XXXXS-LPV01		
REVISIONS						UNSPECIFIED TOLERANCES	XKB INDUSTRIAL PRECISION CO.,LIMITED			WEIGHT	SHEET	REVISION
www.helloxkb.com www.helloxkb.cn www.xk-dg.cn											1/1	A0