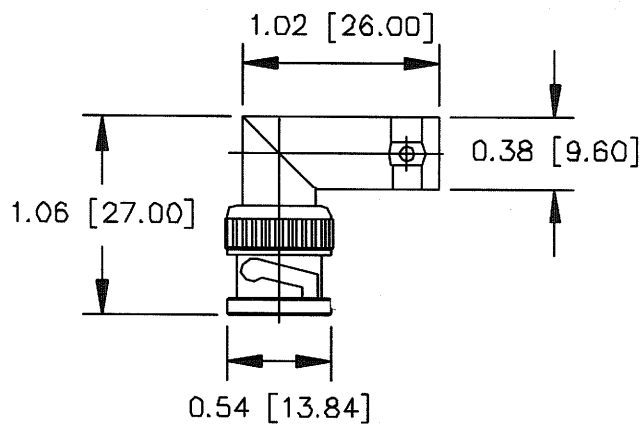


MUELLER®

MODEL: BU-P3534

BNC connector Right Angle (Female to Male)



MATERIALS:

Body – Nickel Plated Brass

Contacts – Gold plated Beryllium Copper

Insulator – PTFE

RATING:

Voltage: Shield/Earth: 30 VAC Max.

Temperature: -50°C to 170°C

Impedance: 50 Ohms