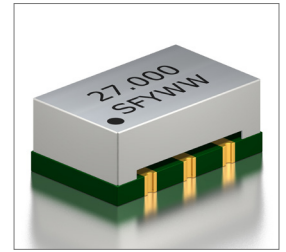


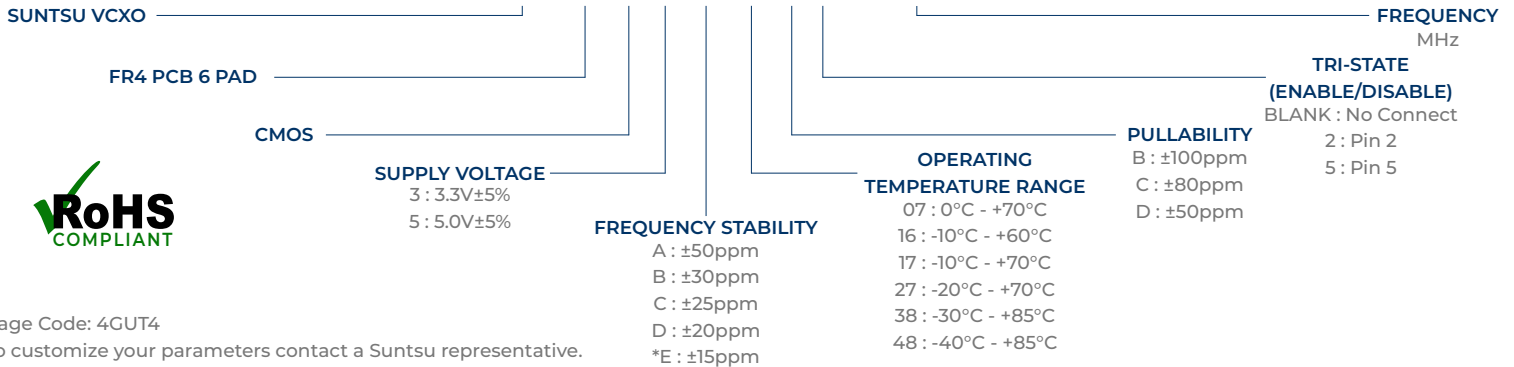
Features
<ul style="list-style-type: none"> ±20ppm (Frequency Stability) Available Low Phase Noise and Jitter Performance Tape and Reel

Applications
<ul style="list-style-type: none"> High Definition TV Avionics Low Phase Signal Sources Test and Measurement Equipment



Part Numbering Guide

SVC F6 C 3 A 48 B 2 - 27.000M



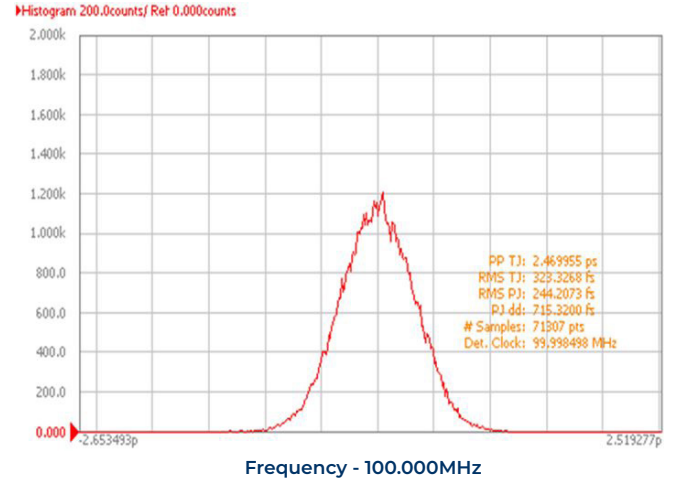
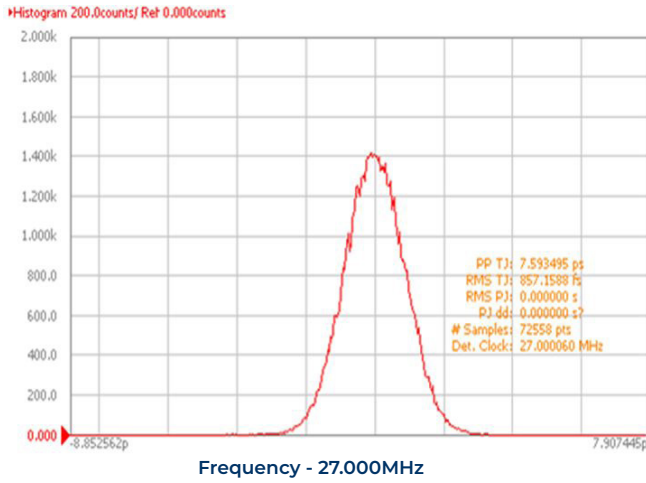
Cage Code: 4GUT4

To customize your parameters contact a Suntsu representative.

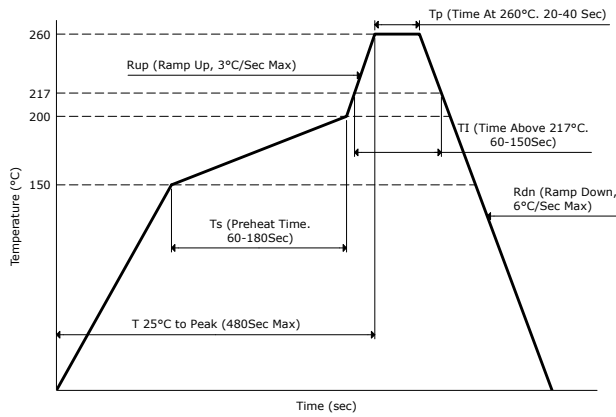
* For frequency stability option E contact a Suntsu representative.

Electrical Parameters	Units	Minimum	Typical	Maximum	Remarks
Frequency Range	MHz	10		250	~160MHz at 5.0V
Frequency Stability (Includes Initial Tolerance at 25°C, Frequency Stability over Operating Temperature, Output Load Change, Supply Voltage Change, and First Year Aging at 25°C.)	ppm	-20		+20	See part numbering guide for options.
Operating Temperature	°C	-40		+85	See part numbering guide for options.
Storage Temperature	°C	-45		+90	
Supply Voltage (V _{DD}) 3.3V Option	V	3.135	3.3	3.465	
Supply Voltage (V _{DD}) 5.0V Option	V	4.750	5.0	5.250	See part numbering guide for options.
Current (I _{DD}) 3.3V Option	mA			40	
Current (I _{DD}) 5.0V Option	mA			60	
Current Voltage (V _C) 3.3V Option	V	0		3.3	
Current Voltage (V _C) 5.0V Option	V	0		5.0	
Pullability	ppm	±50		±100	See part numbering guide for options.
Linearity	%			10	
Output Load (CMOS)	pF			15	
Output Logic HIGH Level (V _{OH})	V	0.9*V _{DD}			
Output Logic LOW Level (V _{OL})	V			0.1*V _{DD}	
Rise (T _R) And Fall (T _F) Time	ns			3	
Symmetry (Duty Cycle)	%	45	50	55	
Input Impedance	kΩ			51	
Modulation Bandwidth	kHz	10			@-3dB
Start-Up Time	ms			10	
Phase Jitter (12KHz ~ 20MHz)	ps			1	

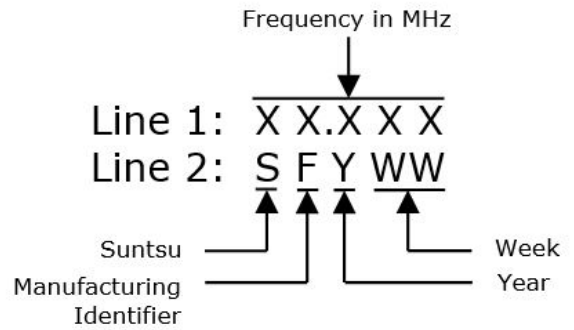
Typical Jitter Performance (Measured By Agilent E5052A)



Reflow Profile



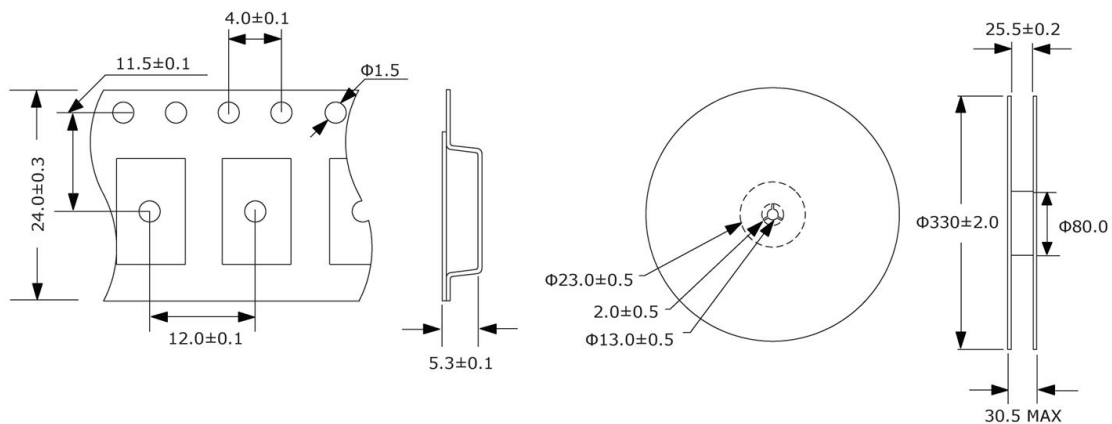
Part Marking



Tape And Reel Dimensions

All dimensions are in millimeters (mm) unless otherwise noted. Drawings are not to scale.

500pcs/Reel



Environmental Specifications		Mechanical Specifications	
Temperature Cycling	MIL-STD-883, Method 1010, Condition B	Mechanical Shock	MIL-STD-202, Method 213, Condition B
Fine Leak Test	MIL-STD-883, Method 1014, Condition A	Vibration	MIL-STD-883, Method 2007, Condition A
Gross Leak Test	MIL-STD-883, Method 1014, Condition C	Moisture Resistance	MIL-STD-883, Method 1004
Solderability	MIL-STD-883, Method 2003	Resistance to Solvents	MIL-STD-202, Method 215
Moisture Sensitivity	J-STD-020, MSL 1	Resistance to Soldering Heat	MIL-STD-202, Method 210, Condition K