

0.6W Power Light LED



Lead-Free Parts

LG-5630WKZ-DT-1-WW-D01

# DATA SHEET

DOC. NO : QW0905-LG-5630WKZ-DT-1-WW-D01

REV. : A

DATE : 11 - Feb. - 2011



## Product Model Designation System

LG - 56 30 WK Z - D T - 1 - WW - X

X1    X2    X3    X4    X5    X6    X7    X8            X9    X10

X1	X2	X3	X4	X5	X6
Title	Dimension(L)	Dimension(W)	Emitting Color	Zener	Epoxy Color
LG:Ligitek	57:5.7mm 56:5.6mm	30:3.0mm	WK:White Color		D:Yellow Diffused
X7	X8	X9	X10		
Package	Chip Modification	Chromaticity Coordinates	Bin Modification		
T:Tape&Reel	-X: 2 chip in 1(Parallel) -1: 1 chip in 1 -2: 2 chip in 1(Series)	-CW: Cool White -NW: Neutral White -WW: Warm White			

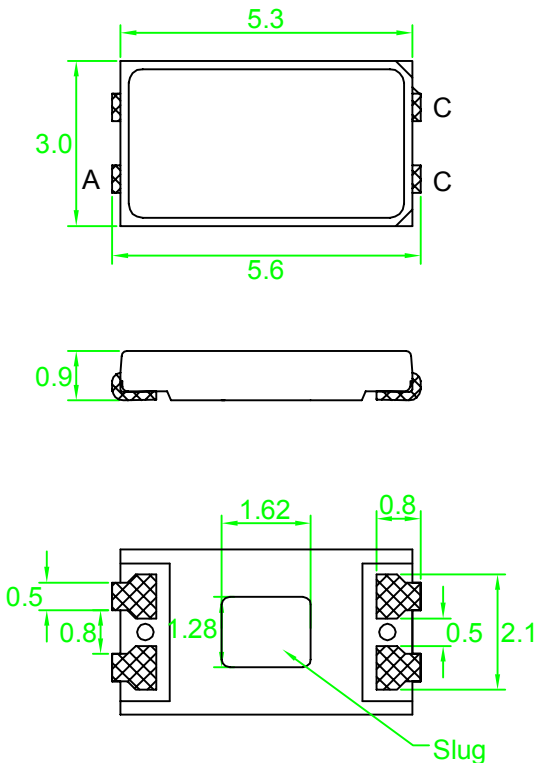
## Features

- \*. White colored SMTpackage
- \*. Suitable for all SMT assembly and soldering methodes
- \*. Pb-Free Reflow soldering application
- \*. More Energy Efficient than Incandescent and most Halogen lamps.
- \*. RoHS compliant

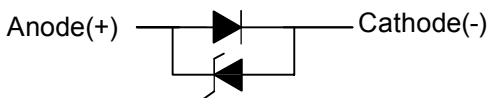
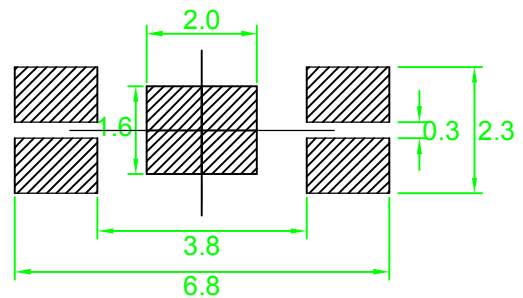
## Typical Applications

- \*. Reading Light (car,bus,aircraft)
- \*. Portable(flashlight,bicycle).
- \*. Backlights(Monitor,TV) / Light Guides.
- \*. Automotive Exterior (Stop-Tail-Tum,CHMSL,Mirror Side Repeat).
- \*. Commercial and Residential Architectural lighting.
- \*. Mini-accent / Uplighters / Downlighters / Orientation lighting
- \*. Fiber Optic Alternative / Decorative / Entertainment lighting.
- \*. Security / Garden lighting.
- \*. Cove / Undershef / Task lighting.
- \*. Traffic signaling / Beacons / Rail crossing and Wayside lighting.

## Dimension



## Recommended Solder Patterns



Note:

- 1.The tolerance unless mentioned is  $\pm 0.1\text{mm}$ ,unit=mm.
- 2.The slug has polarity as anode.
- 3.It is strongly recommended to apply on electrically isolated heat conducting film between the slug and contact surfaces.

## Absolute Maximum Ratings at Ta=25 °C

Parameter	Symbol	Ratings	UNIT
		Warm White	
DC Forward Current	IF	150	mA
Power Dissipation	PD	0.6	W
Peak pulse current Duty 1/10@10KHz	IFP	200	mA
LED junction Temperature	Tj	125	°C
Reverse Current(VR=5V)	Ir	10	μA
ESD Sensitivity	VB	±2000	V
Storage Temperature	Tstg	-40 ~ +100	°C
Operating Temperature	Topr	-40 ~ +85	°C
Soldering Temperature	Tp	260	°C

Note:

1. Proper current derating must be observed to maintain temperature below the maximum.
2. LEDs are not designed to be driven in reverse bias.

## Luminous Intensity Characteristics at 150mA (Ratings At 25°C Ambient)

PART NO	Emission Color	Luminous Intensity			Units
		Min.	Typ.	Max.	
LG-5630WKZ-DT-1-WW-D01	Warm White	33	35	----	lm

Note :

1. Warm White emitters are built with InGaN.
2. Luminous Intensity is measured with an accuracy of ±10%

## Forward Voltage Characteristics at 150mA

(Ratings At 25°C Ambient)

PART NO	Emission Color	Vf			Units
		Min.	Typ.	Max.	
LG-5630WKZ-DT-1-WW-D01	Warm White	----	3.3	3.8	V

Note : Forward Voltage is measured with an accuracy of  $\pm 0.1V$

## Chromaticity Coordinates Characteristics at 150mA

(Ratings At 25°C Ambient )

PART NO	Emission Color	Chromaticity Coordinates (TYP.)	
		X	Y
LG-5630WKZ-DT-1-WW-D01	Warm White	0.46	0.41

Note :  $\pm 0.01$  is tester tolerance.

## Emission Angle Characteristics at 150mA

(Ratings At 25°C Ambient )

PART NO	Emission Color	Lambertian	Units
LG-5630WKZ-DT-1-WW-D01	Warm White	120	Degrees

## Color Rendering Index Characteristics at 150mA

(Ratings At 25°C Ambient )

PART NO	Emission Color	CRI		
		Min.	Typ.	Max.
LG-5630WKZ-DT-1-WW-D01	Warm White	80	----	----

## Bin Code Description

Bin Code		
Luminous Intensity	CIE	Forward Voltage
F36T	MO	3.0-3.2

Luminous Intensity (lm) @IF=150mA		
Bin Code	Min.	Max.
F33T	33	36
F36T	36	39

Color Rank @IF=150mA
LM-NP

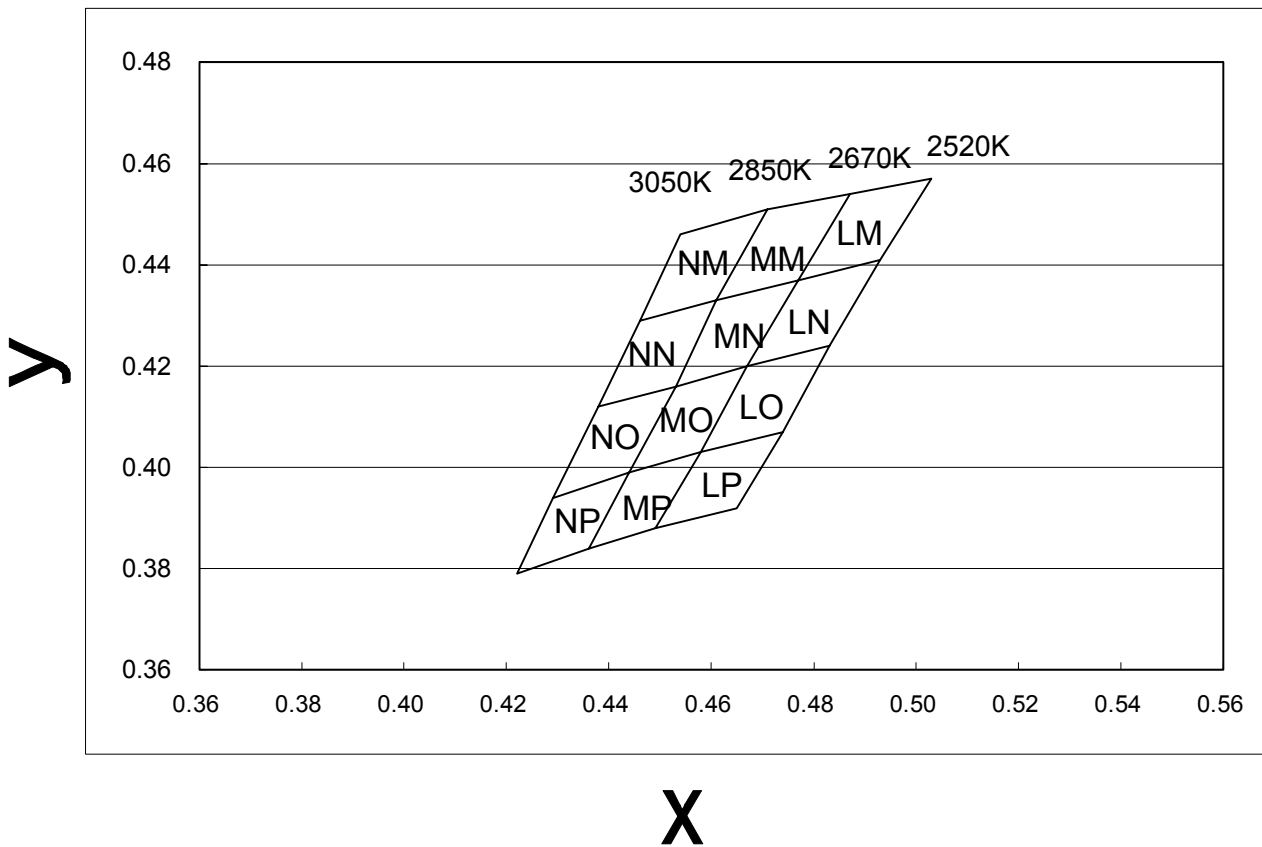
Forward Voltage(V) @IF=150mA
2.8-3.0
3.0-3.2
3.2-3.4
3.4-3.6
3.6-3.8

## Bins Code of chromaticity coordinates

Color Coordiante at 150mA									
CCT(K)	BIN CODE	1		2		3		4	
		X	Y	X	Y	X	Y	X	Y
2520~2670	LM	0.477	0.437	0.4930	0.4410	0.5030	0.4570	0.4870	0.4540
	LN	0.467	0.420	0.4830	0.4240	0.4930	0.4410	0.4770	0.4370
	LO	0.458	0.403	0.4740	0.4070	0.4830	0.4240	0.4670	0.4200
	LP	0.449	0.3880	0.4650	0.3920	0.4740	0.4070	0.4580	0.4030
2670~2850	MM	0.471	0.451	0.461	0.433	0.477	0.437	0.487	0.454
	MN	0.461	0.433	0.453	0.416	0.467	0.420	0.477	0.437
	MO	0.453	0.416	0.444	0.399	0.458	0.403	0.467	0.416
	MP	0.458	0.403	0.444	0.399	0.436	0.384	0.449	0.338
2850~3050	NM	0.454	0.446	0.471	0.451	0.46	0.43	0.444	0.426
	NN	0.444	0.426	0.46	0.43	0.453	0.416	0.438	0.412
	NO	0.438	0.412	0.453	0.416	0.444	0.399	0.429	0.394
	NP	0.429	0.394	0.444	0.399	0.436	0.384	0.422	0.379

NOTE: Tolerance on each color bin(x,y)is±0.01

### The C.I.E 1931 Chromaticity Coordinates

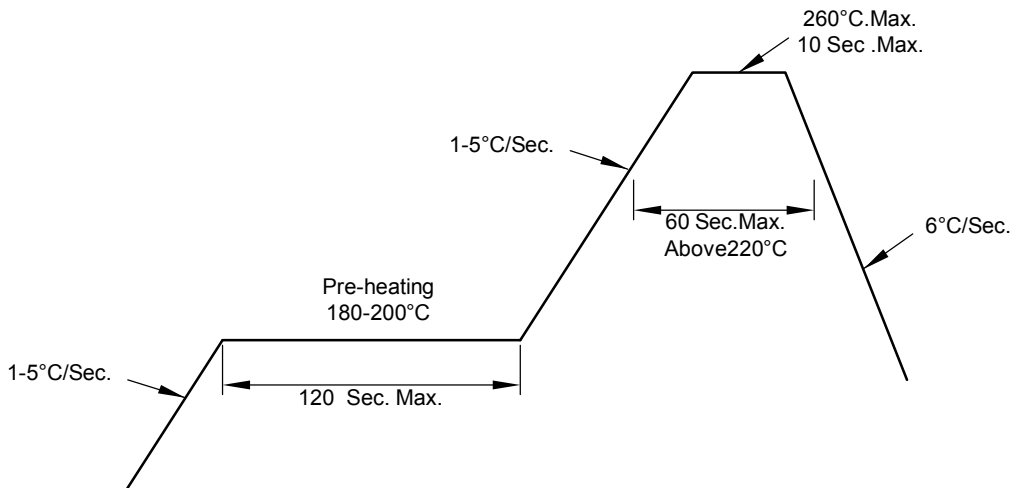




## Recommended Profile for Reflow Soldering

Pb -free solder temperature profile

Pb -free solder Temperature profile	
Pre-heat	180-200°C
Pre-heat time	120 Sec Max
Peak-Temperature	260°C Max
Soldering time condition	10 Sec Max



- (1) Reflow soldering should not be done more than two times.
- (2) When soldering, do not put stress on the LEDs during heating.
- (3) After soldering, do not warp the circuit board.
- (4) The encapsulated material of the LEDs is silicone.  
Precautions should be taken to avoid the strong pressure on the encapsulated part. So when using the chip mounter, the picking up nozzle that does not affect the silicone resin should be used.

### Hand Soldering Conditions:

Do not exceed 3 seconds at maximum 320°C under soldering iron.(one time only)

Fig.1 Forward current vs. Forward Voltage

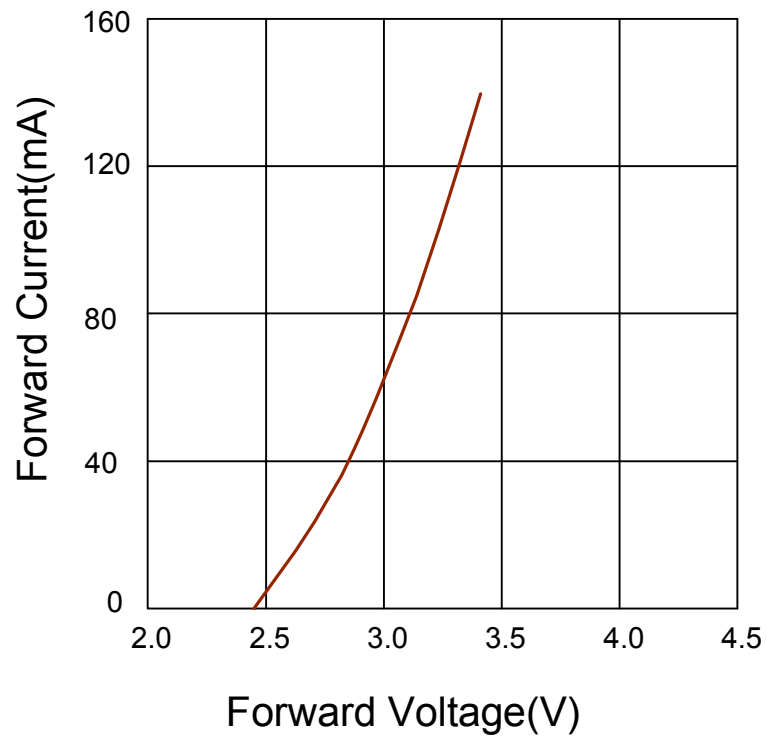


Fig.3 Forward current vs. Luminous Intensity

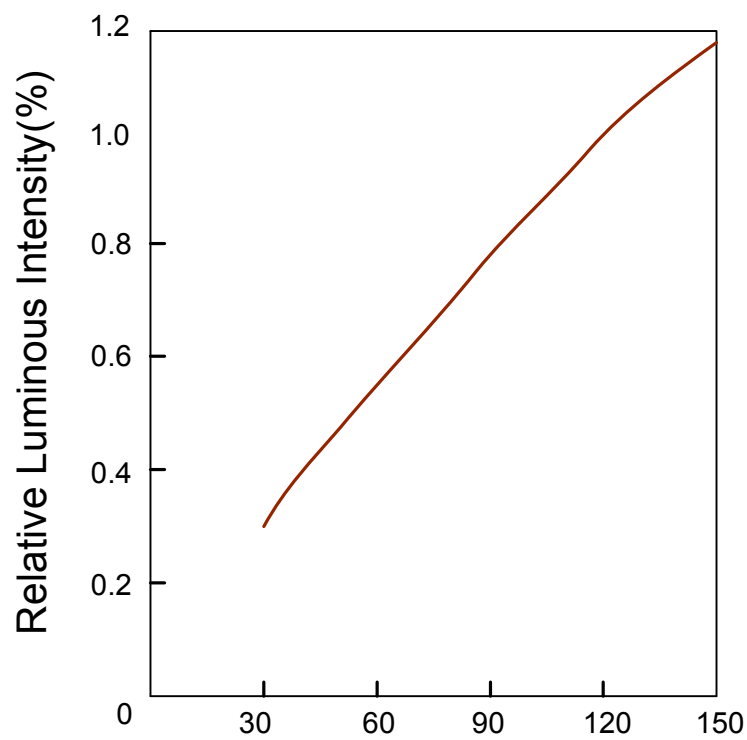


Fig.5 Luminous Spectrum(Ta=25°C)

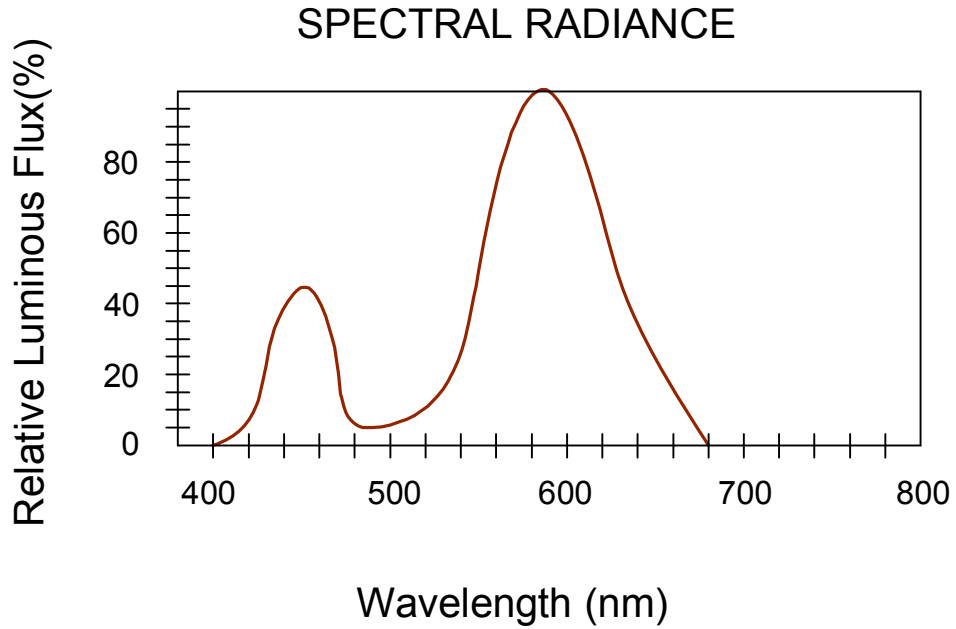
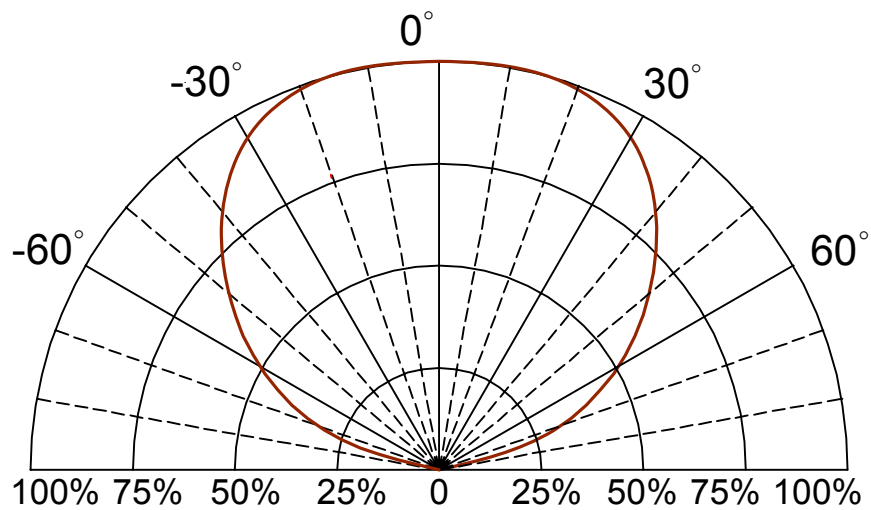
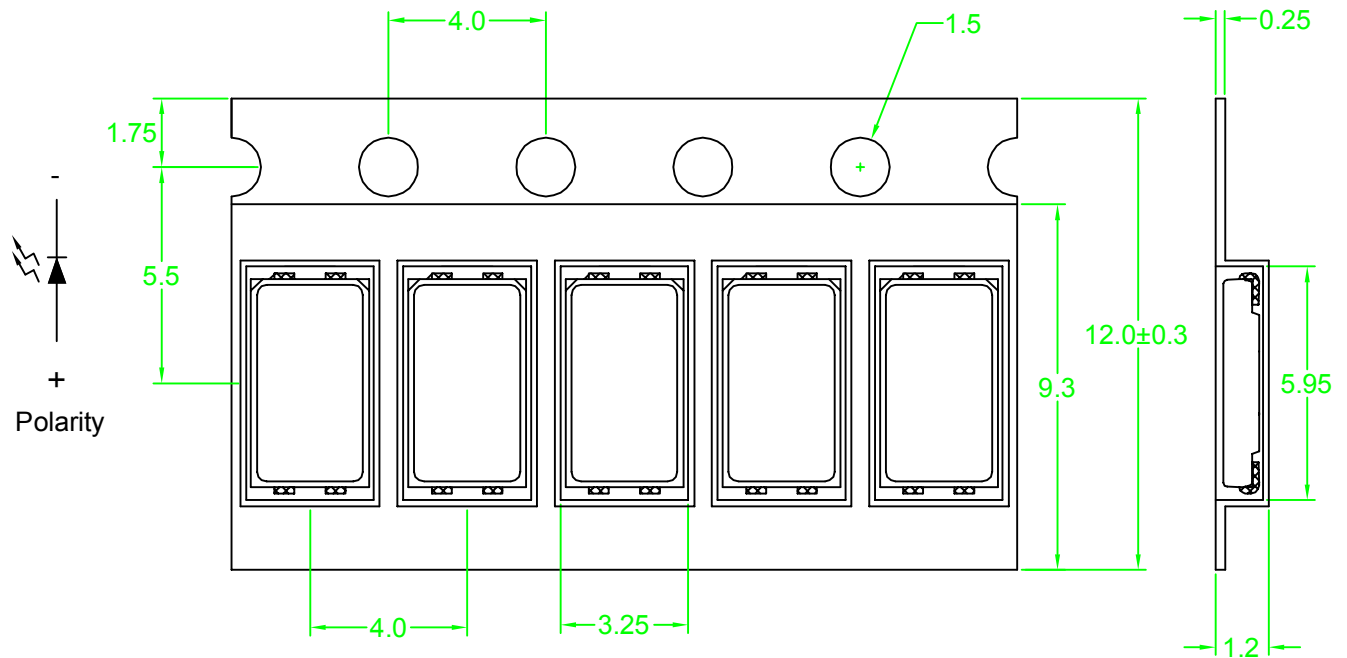


Fig.6 Directivity Radiation

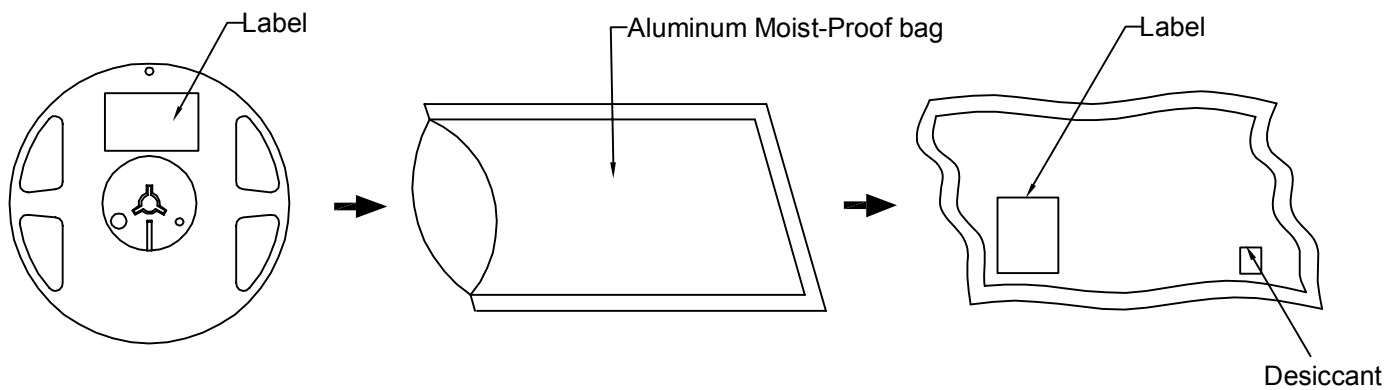


## Carrier Type Dimensions









Note : The tolerances unless mentioned is  $\pm 0.2\text{mm}$ .

## Packing Specifications



## Label Explanation

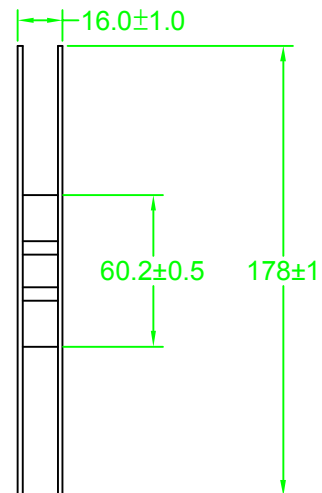
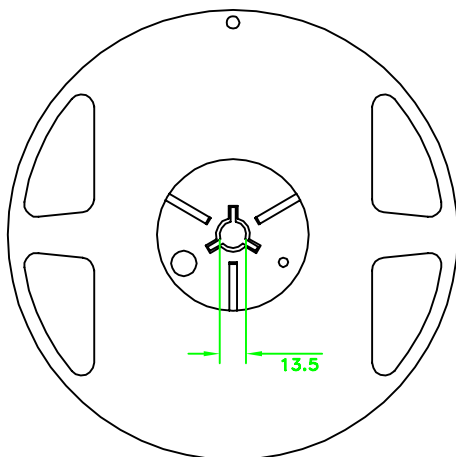
	LIGITEK ELECTRONICS CO., LTD.	
		
	PART :	LG-5630WKZ-DT-1-WW-D01
		
	LOT :	GS1-060109
		
QTY(PCS):	2000	
		
BIN/HUE :	F36T/MO	VF:3.0-3.2

BIN : Luminous Flux

HUE : Chromaticity Coordinates  
(CIE\_x , CIE\_y)

3.0 - 3.2 : Forward Voltage

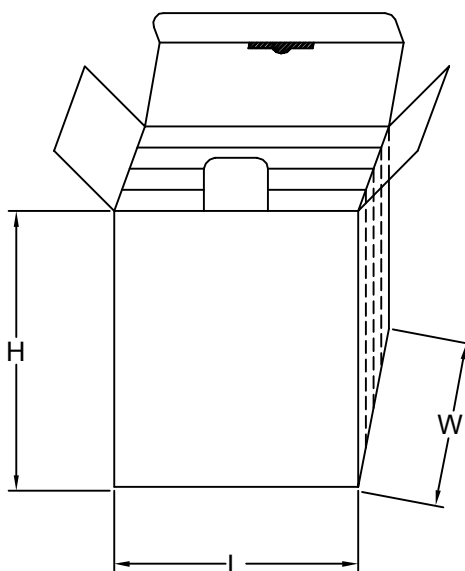
## Reel Dimensions



## Box Explanation

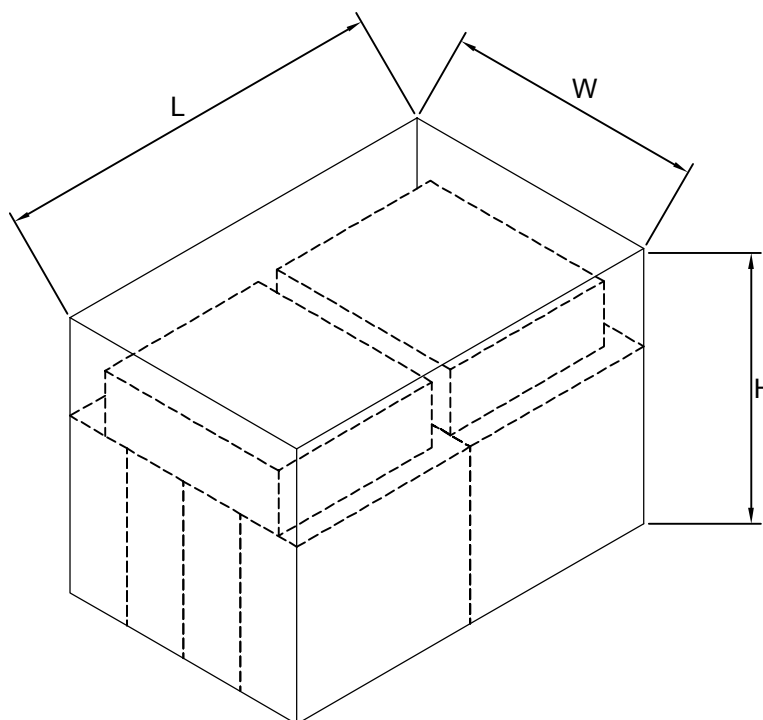
1. 4 BAG / INNER BOX

2. INNER BOX SIZE : L X W X H 23cm X 8.5cm x 26cm



3. 10 INNER BOXES / CARTON

4. CARTON SIZE : L X W X H 58cm X 34cm x 35cm



## Reliability Test

### (1)Test items and results

Classification	Test Item	Test Condition	Sample Size
Endurance Test	Operating Life Test	1.Ta=Under Room Temperature As Per Data Sheet Maximum Rating. 2.If=150mA 3.t=1000 hrs	22
	High Temperature Storage Test	1.Ta=100℃ 2.t=1000 hrs	22
	Low Temperature Storage Test	1.Ta=-40℃ 2.t=1000 hrs	22
	High Temperature High Humidity Storage Test	1.Ta=85℃ 2.RH=85% 3.t=1000 hrs	22
Environmental Test	Thermal Shock Test	1.Ta=-40℃(30min) -100℃(30min) 2.total 100 cycles	22
	Reflow Soldering Test	1.T.Sol=260℃±5℃ 2.Dwell Time= 10 Sec.Max.	22
	Temperature Cycling	1.100℃ ~ 25℃ ~ -40℃ 30mins 5mins 30mins 2.100 Cyeles	22

### (2)Criteria for judging the damage

Item	Symbol	Test Conditions	Criteria for Judgement	
			Min.	Max.
Forward Voltage	Vf	If=150mA	-	U.S.L x1.2
Reverse Current	Ir	Vr=5V	-	U.S.L x2.0
Luminous Intensity	Iv	If=150mA	L.S.L x 0.5	-

Note:

1.U.S.L.:Upper Standard Level.

2.L.S.L.:Lower Standard Level.

## Precautions For Use:

### Storage time:

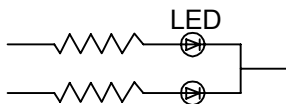
- 1.The operation of Temperatures and RH are : 5 °C~35°C ,RH60%.
- 2.Once the package is opened, the products should be used within a week.  
Otherwise, they should be kept in a damp proof box with descanting agent.  
Considering the tape life, we suggest our customers to use our products within a year(from production date).
- 3.If opened more than one week in an atmosphere 5 °C ~ 35°C ,RH60%,  
they should be treated at 60 °C ±5 °C for 15hrs.

### Drive Method:

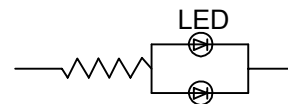
LED is a current operated device, and therefore, requirer some kind of current limiting incorporated into the driver circuit. This current limiting typically takes the form of a current limiting resistor placed in series with the LED.

Consider worst case voltage variations than could occur across the current limiting resistor. The forward current should not be allowed to change by more than 40% of its desired value.

Circuit model A



Circuit model B



(A) Recommended circuit.

(B) The difference of brightness between LED could be found due to the VF-IF characteristics of LED.

### Cleaning:

Use alcohol-based cleaning solvents such as isopropyl alcohol to clean the LED.

### ESD(Electrostatic Discharge):

Static Electricity or power surge will damage the LED. Use of a conductive wrist band or anti-electrosatic glove is recommended when handing these LED. All devices, equipment and machinery must be properly grounded.