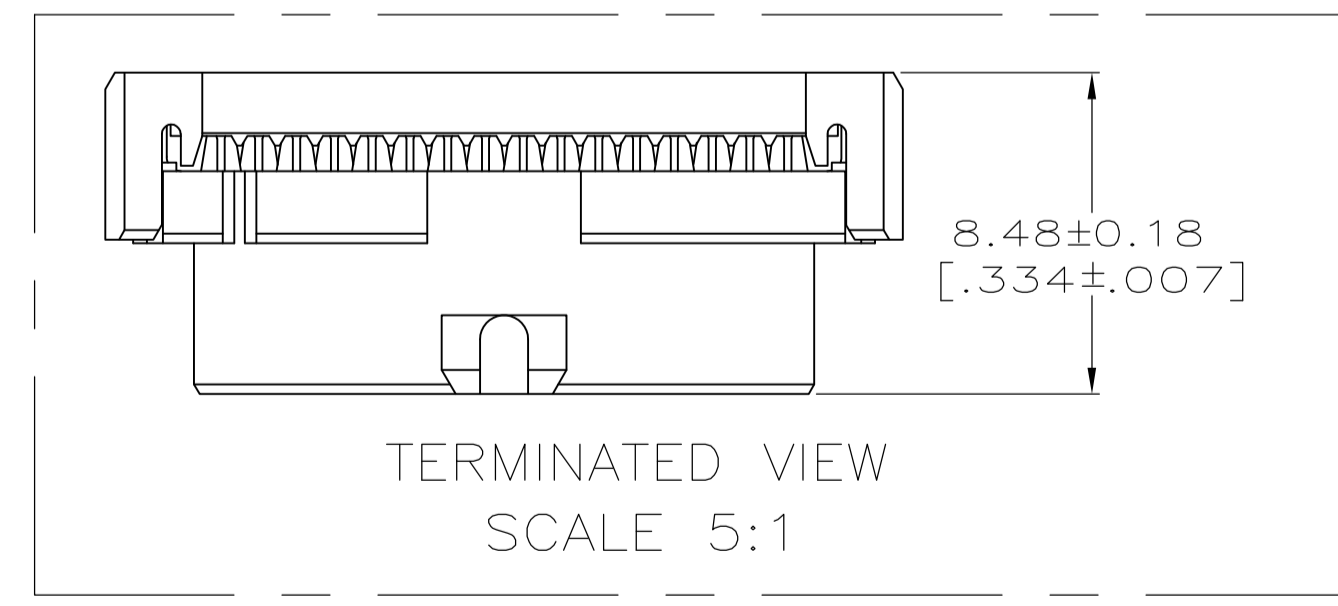
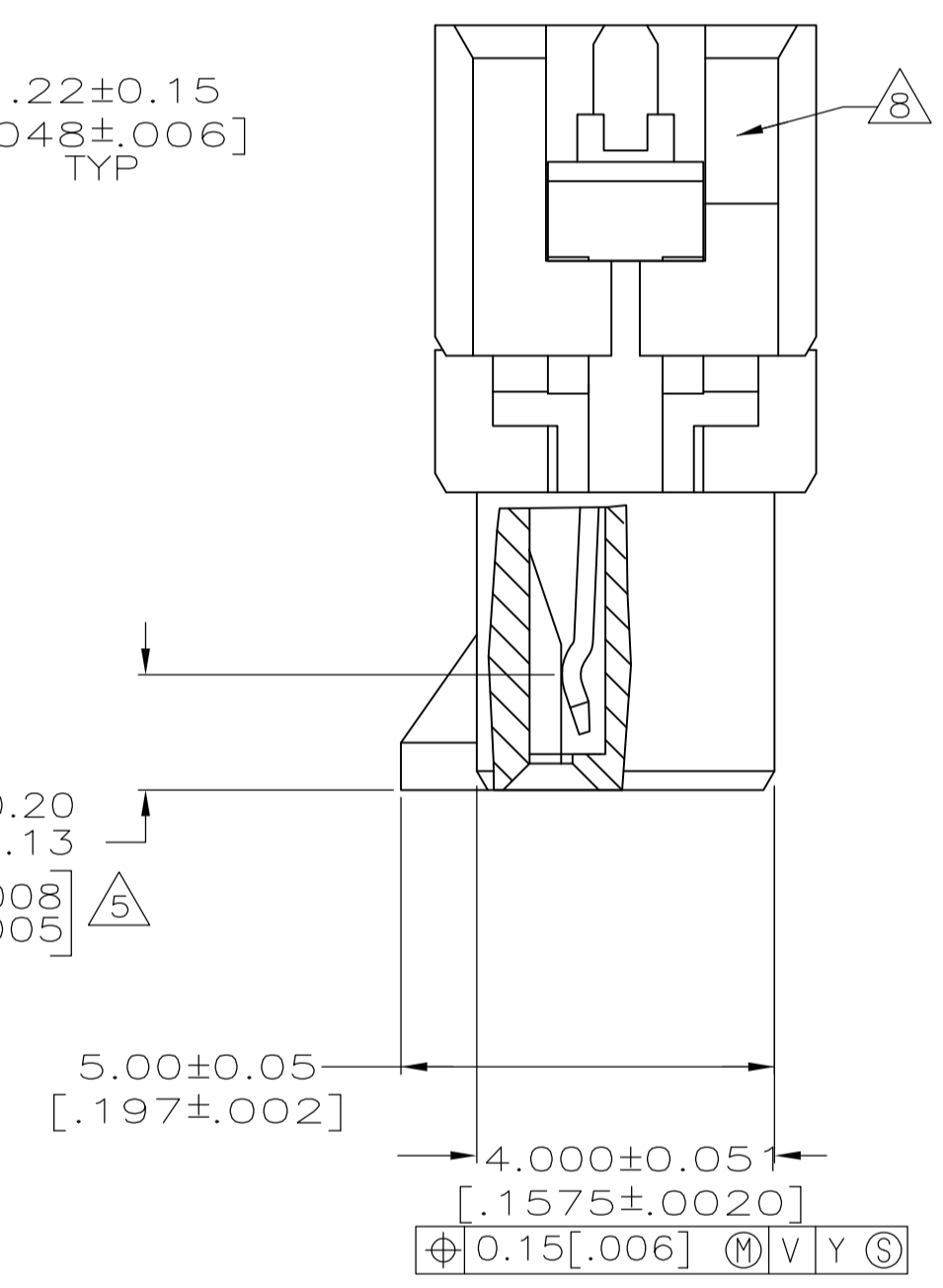
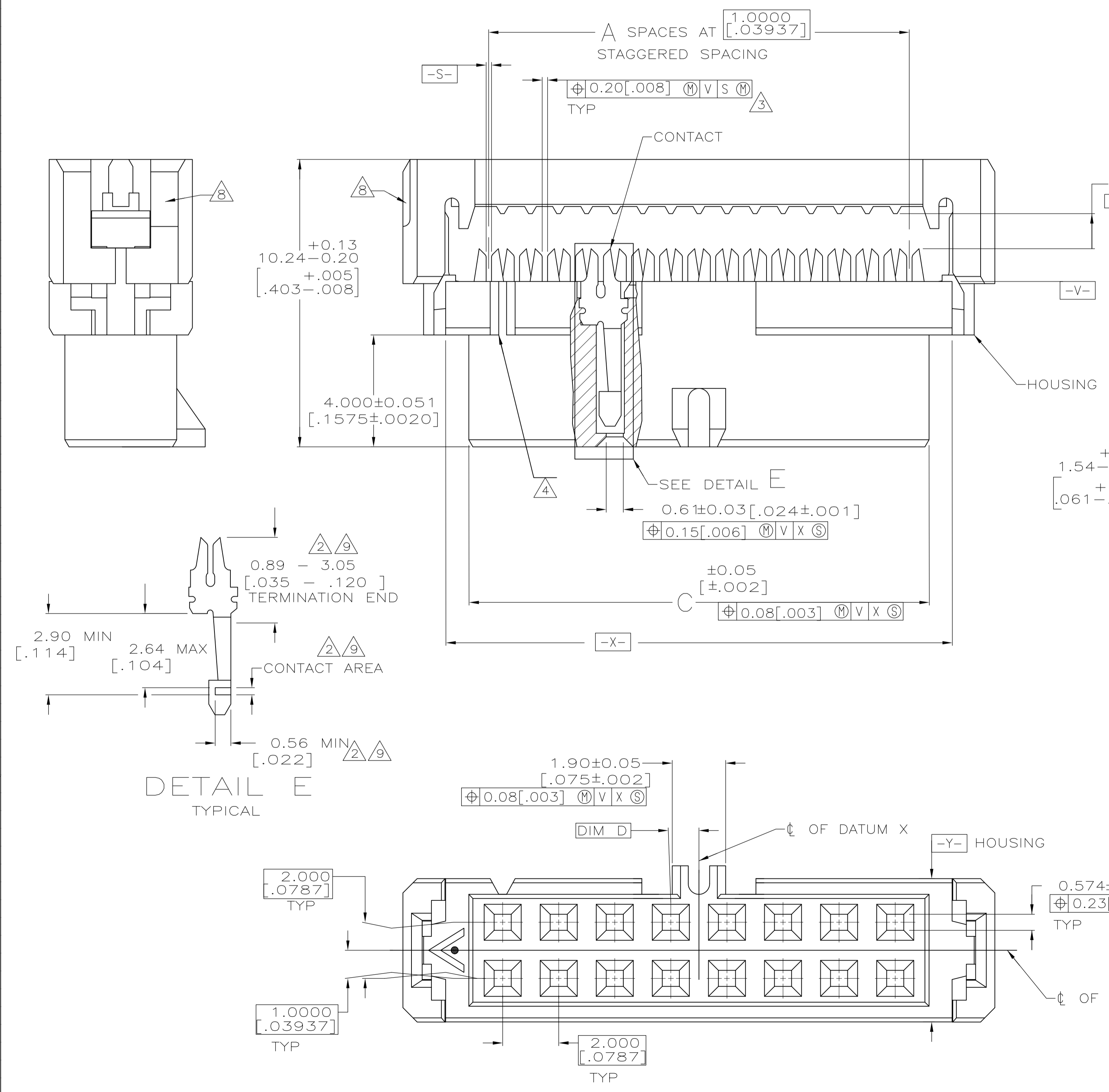


- 1 MOLDED PARTS: POLYESTER, UL RATED 94V-0, BLACK. CONTACTS: BERYLLIUM COPPER.
- 2 2.54 μm [.000100] MIN TIN-LEAD ON TERMINATION END, 0.76 μm [.000030] MIN GOLD ON CONTACT AREA, ALL OVER 1.27 μm [.000050] MIN NICKEL.
- 3 POSITION TOLERANCE APPLIES 0.76 [.030] ABOVE DATUM V.
- 4 POSITION NUMBER 1 INDICATOR.
- 5 ELECTRICAL ENGAGEMENT ZONE.
- 6 RECOMMENDED 28 AWG RIBBON CABLE, 0.61 - 0.97 [.024 - .038] THICK PVC, 1.0000 [.03937] PITCH. AMP LOGO ORIENTATION IS OPTIONAL.
- 7 RECESS ON EACH END, OPPOSITE CORNER.
- 8 0.13 μm [.000005] MIN GOLD ON TERMINATION END, 0.76 μm [.000030] MIN GOLD ON CONTACT AREA, ALL OVER 1.27 μm [.000050] MIN NICKEL.
- 9 MOLD GATE PROJECTION ON EITHER END OF COVER TO BE EXCLUDED FROM DIMENSION 'B' MEASUREMENT.



CONTACT FINISH	D	C	B	A	NO OF POSN	PART NO
	12.40	17.15	11	12	3-111623-1	
	12.40	17.15	11	12	1-111623-7	
	8.41	13.18	7	8	1-111623-6	
	8.41	13.18	7	8	1-111623-5	
	22.40	27.18	21	22	1-111623-5	
	22.40	27.18	21	22	1-111623-4	
	22.40	27.18	21	22	1-111623-3	
	22.40	27.18	21	22	1-111623-2	
	34.42	39.17	33	34	1-111623-8	
	34.42	39.17	33	34	1-111623-7	
	34.42	39.17	33	34	1-111623-6	
	34.42	39.17	33	34	1-111623-5	
	24.41	29.18	23	24	1-111623-7	
	24.41	29.18	23	24	1-111623-6	
	24.41	29.18	23	24	1-111623-5	
	24.41	29.18	23	24	1-111623-4	
	50.39	55.17	49	50	1-111623-6	
	50.39	55.17	49	50	1-111623-5	
	50.39	55.17	49	50	1-111623-4	
	50.39	55.17	49	50	1-111623-3	
	50.39	55.17	49	50	1-111623-2	
	44.40	49.17	43	44	1-111623-5	
	44.40	49.17	43	44	1-111623-4	
	44.40	49.17	43	44	1-111623-3	
	44.40	49.17	43	44	1-111623-2	
	40.41	45.19	39	40	1-111623-4	
	40.41	45.19	39	40	1-111623-3	
	40.41	45.19	39	40	1-111623-2	
	30.40	35.18	29	30	1-111623-3	
	30.40	35.18	29	30	1-111623-2	
	30.40	35.18	29	30	1-111623-1	
	26.42	31.17	25	26	1-111623-2	
	26.42	31.17	25	26	1-111623-1	
	20.40	25.17	19	20	1-111623-1	
	20.40	25.17	19	20	1-111623-0	
	16.41	21.18	15	16	1-111623-0	
	16.41	21.18	15	16	1-111623-9	
	16.41	21.18	15	16	1-111623-8	
	16.41	21.18	15	16	1-111623-7	
	16.41	21.18	15	16	1-111623-6	
	16.41	21.18	15	16	1-111623-5	
	16.41	21.18	15	16	1-111623-4	
	16.41	21.18	15	16	1-111623-3	
	16.41	21.18	15	16	1-111623-2	
	16.41	21.18	15	16	1-111623-1	
	14.40	19.18	13	14	1-111623-9	
	14.40	19.18	13	14	1-111623-8	
	14.40	19.18	13	14	1-111623-7	
	14.40	19.18	13	14	1-111623-6	
	14.40	19.18	13	14	1-111623-5	
	14.40	19.18	13	14	1-111623-4	
	14.40	19.18	13	14	1-111623-3	
	14.40	19.18	13	14	1-111623-2	
	14.40	19.18	13	14	1-111623-1	
	10.41	15.16	9	10	1-111623-9	
	10.41	15.16	9	10	1-111623-8	
	10.41	15.16	9	10	1-111623-7	
	10.41	15.16	9	10	1-111623-6	
	10.41	15.16	9	10	1-111623-5	
	10.41	15.16	9	10	1-111623-4	
	10.41	15.16	9	10	1-111623-3	
	10.41	15.16	9	10	1-111623-2	
	10.41	15.16	9	10	1-111623-1	
	10.41	15.16	9	10	1-111623-0	
	10.41	15.16	9	10	1-111623-9	
	10.41	15.16	9	10	1-111623-8	
	10.41	15.16	9	10	1-111623-7	
	10.41	15.16	9	10	1-111623-6	
	10.41	15.16	9	10	1-111623-5	
	10.41	15.16	9	10	1-111623-4	
	10.41	15.16	9	10	1-111623-3	
	10.41	15.16	9	10	1-111623-2	
	10.41	15.16	9	10	1-111623-1	
	10.41	15.16	9	10	1-111623-0	

THIS DRAWING IS A CONTROLLED DOCUMENT. DIMENSIONS: mm [INCHES]. TOLERANCES UNLESS OTHERWISE SPECIFIED: 0 PLC ± .008 [.003], 1 PLC ± .008 [.003], 2 PLC ± .008 [.003], 3 PLC ± .008 [.003], 4 PLC ± .008 [.003]. MATERIAL: POLYESTER. FINISH: CONTACTS: SEE TABLE. DRAWING NO: 108-1372. PRODUCT SPEC: 108-1372. APPLICATION SPEC: RECEPTACLE ASSY, POLARIZED, 2mm CL, AMP-LATCH. SIZE: A1. WEIGHT: 0.0779g. SCALE: 10:1. SHEET: 1 of 1. REV: L2.