

NOTES:

1. MATERIAL AND FINISH:

- BODIES: BeCu, WHITE BRONZE PLATING
- CONTACT: BeCu, GOLD PLATING OVER WHITE BRONZE
- RETAINING RING: BeCu, GOLD PLATING OVER WHITE BRONZE
- CAP: BeCu, BeCu, WHITE BRONZE PLATING
- FERRULE: SEAMLESS COPPER TUBING, WHITE BRONZE PLATING
- INSULATOR : PTFE

2. ELECTRICAL:

- A. IMPEDANCE: 50 OHM
- B. FREQUENCY RANGE: DC - 6 GHz
- C. VSWR(RETURN LOSS): 1.25:1 MAX.
- D. DIELECTRIC WITHSTANDING VOLTAGE: 500 VRMS, MIN.

3. MECHANICAL:

- A. DURABILITY: 500 CYCLES MIN.
- B. TEMPERATURE RANGE: -65° C TO 165° C
- C. CRIMP FERRULE WITH .128" HEX

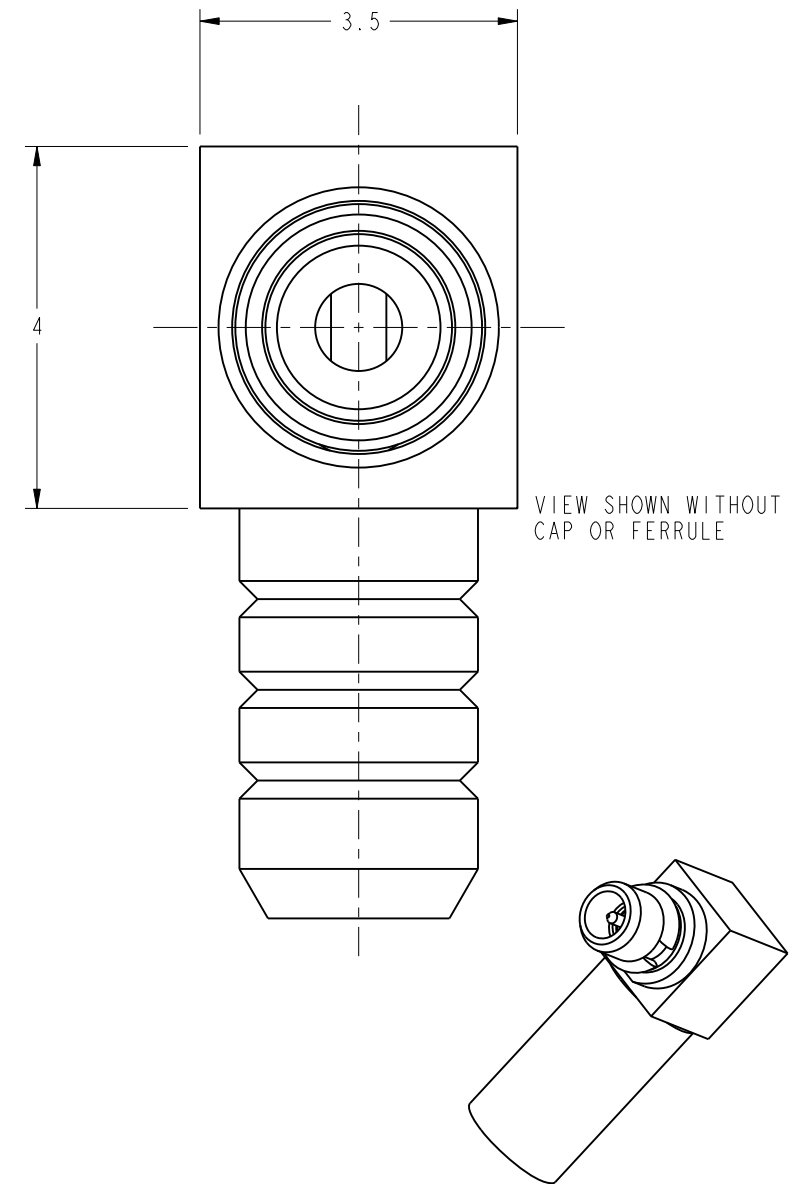
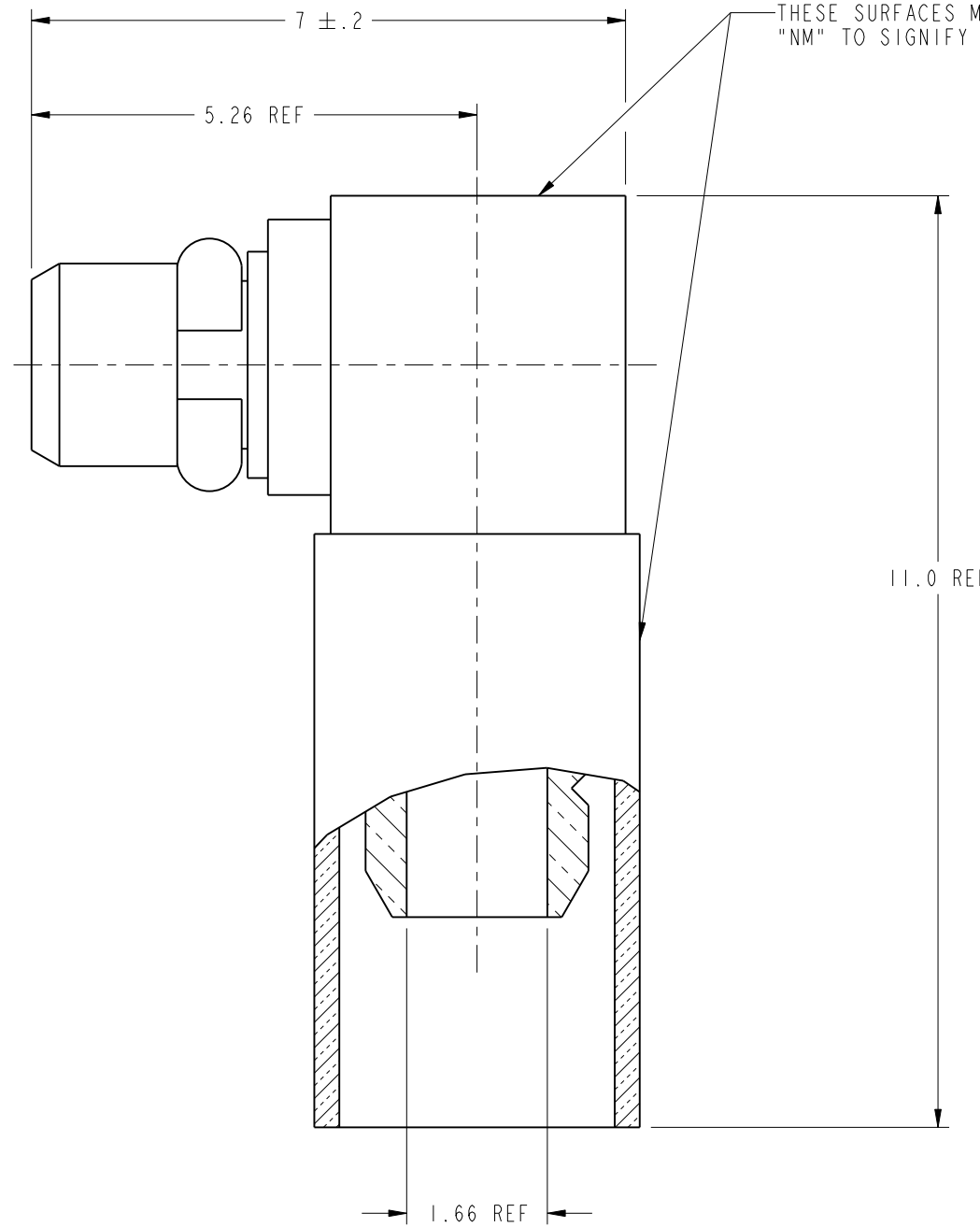
4. PACKAGING:

- A. QUANTITY: 100 PIECE BULK PACK
- B. MARKING: BAG TO BE MARKED
"AMPHENOL, 908-NM43300, DATE CODE, AND
"NON MAGNETIC CONNECTORS"

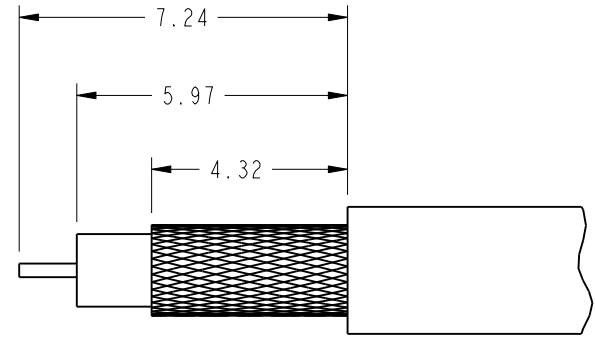
THIRD ANGLE PROJ.

REVISIONS

REV	DESCRIPTION	DATE	ECO	APPR
A	CORRECT INTERFACE DIM'S	10/24/06	46108	KJC
B	SEE SHEET 2.	10/24/06	46304	KJC
C	SEE SHEET 2	4/8/10	48017	RR
D	7 ±.2 WAS 7.01 REF	9/20/10	48260	CPM



SCALE 4.000



RECOMMENDED CABLE STRIPPING DIMENSIONS

CUSTOMER OUTLINE DRAWING
ALL OTHER SHEETS ARE FOR INTERNAL USE ONLY

METRIC DRAWING

UNLESS OTHERWISE SPECIFIED, DIMENSIONS ARE METRIC AND TOLERANCES ARE: 1 PLACE DECIMAL 2 PLACE DECIMAL ANGLES ± 0.3MM (.012") ± .10 MM (.004") ± 1°	MATERIAL	DRAWN K. CAPOZZI	DATE 18-Jul-06	TITLE ASSEMBLY MMCX R/A PLUG TO RG-316 NON MAGNETIC			Amphenol RF Danbury CT USA, Tainan, Taiwan, Shenzhen, China www.amphenolrf.com		
	REFERENCE EAR # 1952 AND 908-7007	ENGINEER K. CAPOZZI	DATE 18-Jul-06						
NOTICE - These drawings, specifications, or other data (1) are, and remain the property of Amphenol corp. (2) must be returned upon request; and (3) are confidential and not to be disclosed to any person other than those to whom they are given by Amphenol Corp. the furnishing of these drawings, specifications, or other data by Amphenol Corp., or to any other person to anyone for any purpose is not to be regarded by implication or otherwise in any manner licensing, granting rights to permitting such holder or any other sperson to manufacture, use or sell any product, process or design, patented or otherwise, that may in any way be related to or disclosed by said drawings, specifications, or other data.	CONFIGURATION LEVEL: Engineering Change	APPROVED B. C. GLEISSNER	DATE 10/24/06	DWG SIZE B	CODE ID 74868	REV D	ITEM NO.	PART NO. 908-NM43300	
	FINISH	Root Folder/MMCX/908-NM43300							