



NOTES:
 Rated Current: 3.0AMP.
 Contact Resistance: 20mΩ Max.
 Withstand Voltage: 1000V AC/DC
 Insulation Resistance: 1000MΩ Min.
 Operation Temperature: -40℃ to +105℃

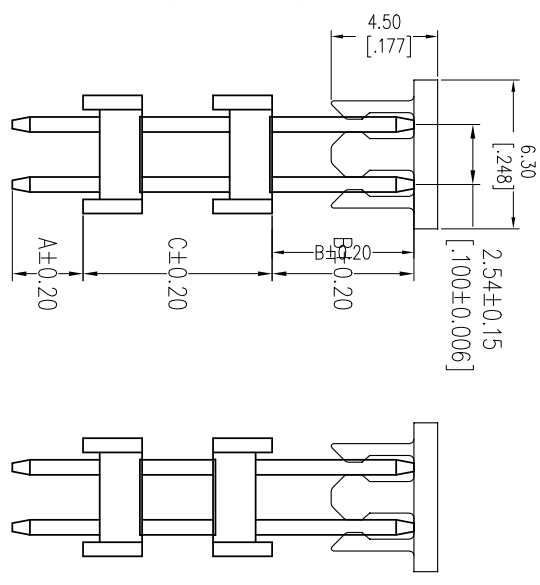
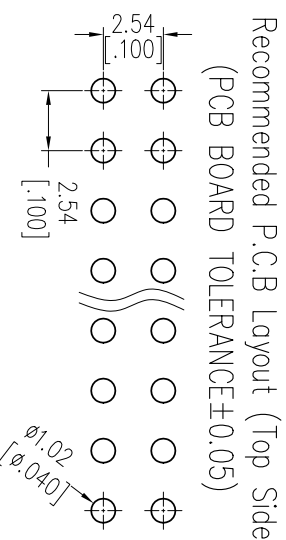
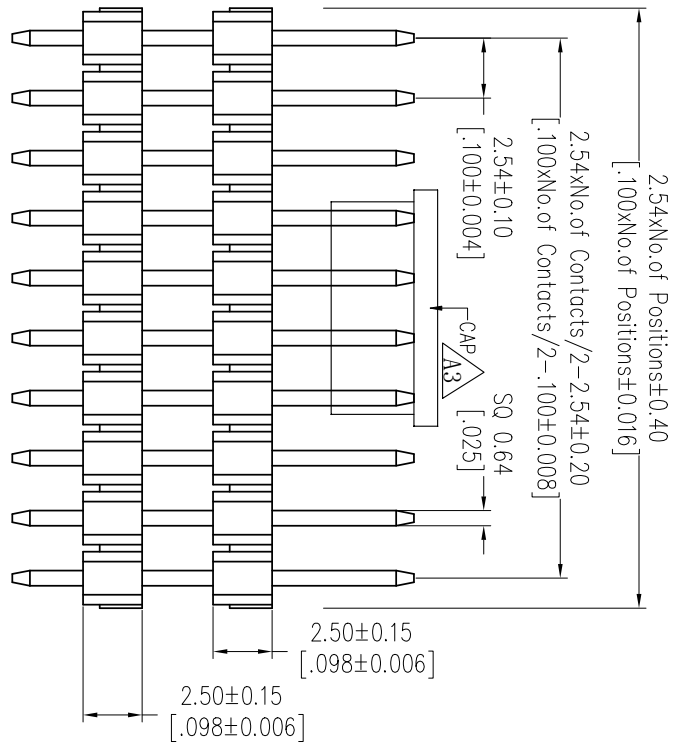
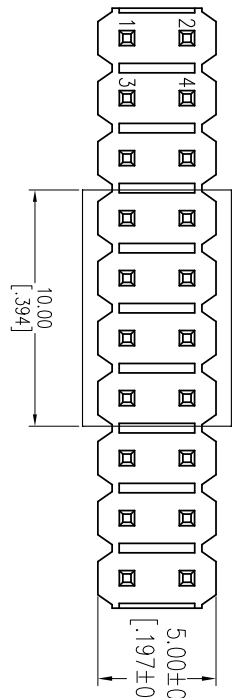
Contact Material: Brass
 Contact Plating: Au or Sn Over Ni
 Insulator Material: PA9T+33%GF UL94V-0 BK

Ordering Information

1125-22 XX XX S XXX C X XX

No. of Pins Contact Plating Pin Length Insulator Packing Series No.
 Per Row: 02-40 G=Gold Flash L=A+B+C Material O=PE Bag 01-99
 G3=10u"Gold Standard C=PA9T T=Tube
 G4=15u"Gold P=Tube+CAP
 G5=30u"Gold R=tape & Reel+CAP
 S0=Gold Flash/Tin
 S3=10u"Gold/Tin
 S4=15u"Gold/Tin
 S5=30u"Gold/Tin
 SN=Tim
 SM=Mate Tim

Item	Pin Length	A	B	C	Molding
Standard	---	3.00	6.00	---	2171 2185
Alternate					



A3	2021/01/26	Add CAP	A3	DuYing	OPERATION	DRAW	DATE	SCALE	Fit	PART NO.	PH2, 54 DUAL ROW DOUBLE PLASTIC 180° H=2.5		Http: www.wcon.com WCON
A2	2018/06/02	Cancel PBT & Modify P/N	A2	XSR	XX	DuYing	2018/06/02	mm	UNIT	1125-22XXXXXXCCXXX			
A1	2018/01/22	Modify P/N	A1		X.XX	CHECK	DATE	A4	SIZE				WCON-Dongguan Tel: +86 769 85358920 Fax: +86 769 85358915 E-mail: sales@wcon.com
A0	2012/05/28	NEW			X.XXX		DATE	1/1	SHEET				WCON-Kunshan Tel: +86 512 57468408 Fax: +86 512 57468468 E-mail: sales@wcon.com
REV	DATE	MODIFICATION DESCRIPTION		CHANGE	DIW	APPROVE	DATE	PROJ.		Customer NO.			