

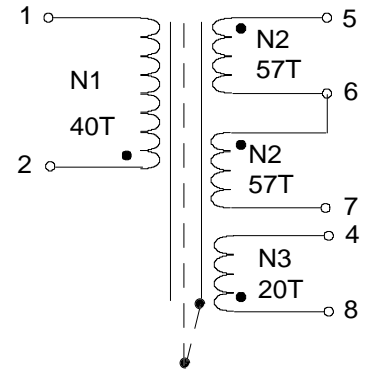
# FLYBACK TRANSFORMER

## with ELECTRO-MAGNETIC SHIELD

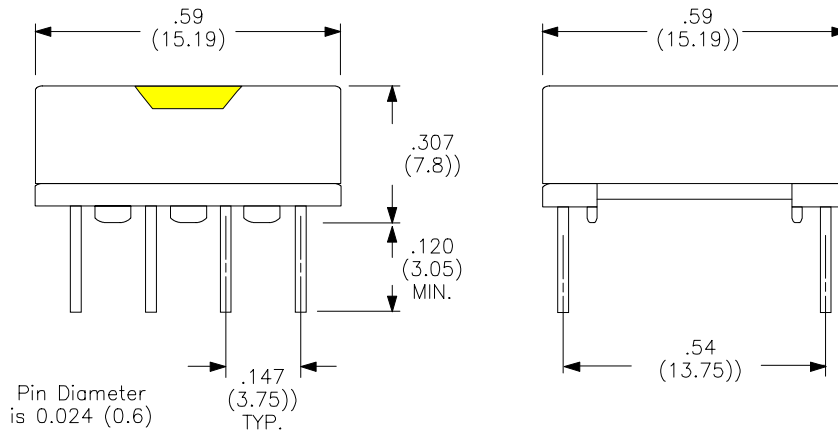
Electrical Specifications at 25°C

Parameter	Min.	Max.	Units
*Primary Inductance (Pins 1-2)	200.7	245.3	μH
*Turns Ratio Pins 1-2:5-7	.347	0.355	
*Turns Ratio Pins 1-2:4-8	1.98	2..02	
*Leakage Inductance (Pins 5-7)		70	μH
DC Resistance (1-2)		0.5	Ω
DC Resistance (5-7)		2	Ω
DC Resistance (4-8)		0.5	Ω
Hi Pot	500		V <sub>RMS</sub>
*Tested @ 10KHz			

Schematic Diagram

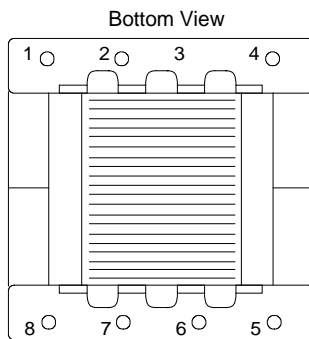


**COPPER FOIL SHIELD CONSISTS OF TWO STRIPS OF COPPER FOIL. BOTH STRIPS CRISS CROSS ON TOP OF TRANSFORMER AND ATTACH TO SIDES OF CORE. BOTH STRIPS ARE TERMINATED TO PIN #1.**



Physical Dimensions

inches (mm)



**Pin #3 Removed to prevent incorrect insertion**

RHOMBUS P/N: T-1112	
CUST P/N:	NAME:
DATE: 11/18/97	SHEET: 1 OF 1