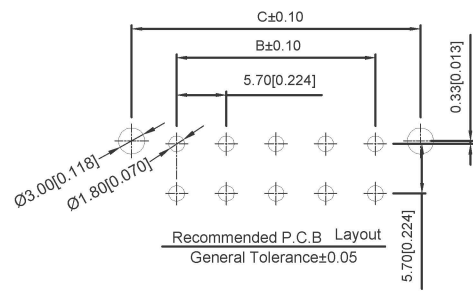
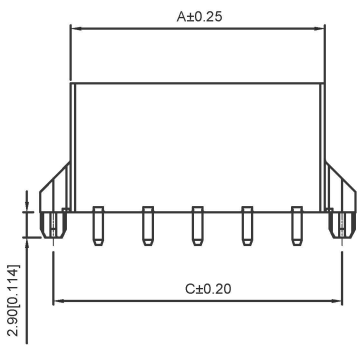
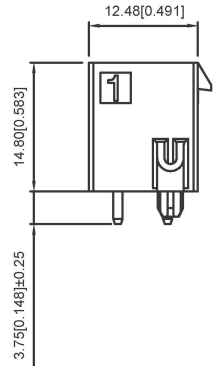


**Specifications :**

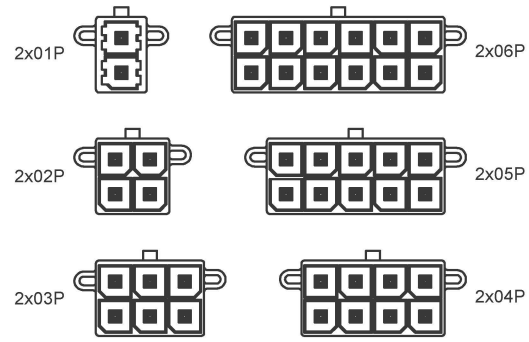
Voltage rating: 600V AC / DC  
 Current rating: 23A AC / DC  
 Withstanding voltage: 2200V AC/minute  
 Temperature range: -40°C~+105°C  
 Insulation resistance: ≥1000M Ω  
 Contact resistance: ≤2mΩ  
 After environmental testing : ≤10mΩ  
 Plug the Pin & Special No.: H-High conductive Brass



X5700 W V -2xXX -LP SW  
 ① ② ③ ④ ⑤ ⑥

- ① Series No.
- ② Category : W-WAFER
- ③ Welding Board Angle : V-Straight 180°
- ④ Row No.-Pin No.: 2xXX-2x02P~2x06P
- ⑤ Material: LP -LCP 94V-0
- ⑥ Plating Category: SW-Matte Tin Plating

| Poles | Dimensions (mm) |       |       |
|-------|-----------------|-------|-------|
|       | AB              |       | C     |
| 2x01  | 8.35            | 12.34 |       |
| 2x02  | 12.05           | 5.70  | 16.04 |
| 2x03  | 17.75           | 11.40 | 21.74 |
| 2x04  | 23.45           | 17.10 | 27.44 |
| 2x05  | 29.15           | 22.80 | 33.14 |
| 2x06  | 34.85           | 28.50 | 38.84 |



|                   |                       |                       |                       |
|-------------------|-----------------------|-----------------------|-----------------------|
| X5700WV-2xXX-LPSW | High conductive Brass | X5700H                | X5700T                |
| PART NO           | Material              | Suitable XKB Terminal | Suitable XKB Terminal |

广东星坤科技股份有限公司

|      |       |
|------|-------|
| 生    | 日期    |
| ΔX   | 日期    |
| ΔX   | 日期    |
| ΔX   | 日期    |
| MARK | 文件工程章 |

|            |                        |
|------------|------------------------|
| units:     | mm                     |
| tolerance: |                        |
| X.X        | ±0.2mm                 |
| X.XX       | ±0.1mm                 |
| X.XXX      | ±0.05mm                |
|            | UNSPECIFIED TOLERANCES |

|                                       |      |             |  |
|---------------------------------------|------|-------------|--|
| DSND                                  | DATE | SCALE: N/A  | MODEL TYPE:<br>Wire to board connector       |
| DWN                                   | DATE | VIEW:       | PART NO.:                                    |
| CHKD                                  | DATE | UNIT: mm/in | DWG NO.:                                     |
| APPD                                  | DATE | SIZE: A4    | X5700WV-2xXX-LPSW                            |
| XKB INDUSTRIAL PRECISION CO., LIMITED |      |             | WEIGHT · SHEET · REVISION<br>1.0g · 1/1 · A0 |