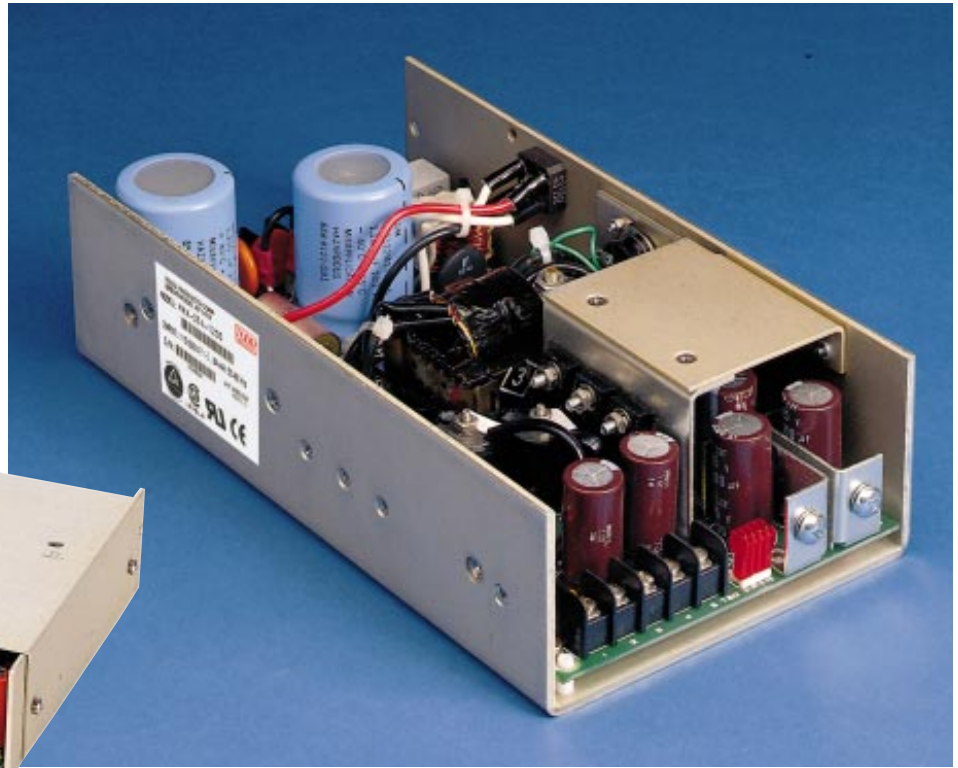


## MAX-250 MAX-350 MTC-250 MTC-350 MTX-250 MSC-350

### Featuring:

- Over 3 watt/in<sup>3</sup> power density
- 80% overall efficiency
- Meets international safety agency requirements
- All outputs regulated  $\pm 1\%$
- High peak currents for motor starting
- System air or self-cooling options
- AC automatic line selection option
- Available in 24, 28, or 48 Vdc input



Option C



Option V

The appropriate MTC, MAX, or MTX in your telecom product gives you the outputs you need for ISDN, LAN, and T1 applications and standard voice and data networks. High-current auxiliary outputs provide regulation characteristics for proper operation of line drivers, network interfaces and RS232-type outputs. Or, use a 9-inch MSC in your computer-based product for needed output regulation, power for 50 Amps of logic and four hard disk drives.

And, you can increase power by 40% as you add peripherals – without redesigning for a larger power supply – by upgrading from the MDT 160/220 series.

Check the specifications of these low-profile, 9-inch switchers that give you more design freedom.

### STANDARD MAX SERIES

MODEL	PWR	OUTPUT #1	OUTPUT #2	OUTPUT #3	OUTPUT #4
MAX-254-1205	250	+5V @ 35A	+12V @ 8/12A pk	-12V @ 4A	-5.2V @ 2A
MAX-353-0512	350	+5V @ 50A	+12V @ 8/12A pk	-12V @ 4A	
MAX-354-1205	350	+5V @ 50A	+12V @ 8/12A pk	-12V @ 4A	-5.2V @ 2A
MAX-354-1212	350	+5V @ 50A	+12V @ 8/12A pk	-12V @ 4A	12V @ 2A
MAX-354-1224	350	+5V @ 50A	+12V @ 8/12A pk	-12V @ 4A	+24V @ 1.5A

### TELECOM MTC SERIES

MODEL	PWR	OUTPUT #1	OUTPUT #2	OUTPUT #3
MTC-253-0515	250	+5V @ 30A	+15V @ 4A	-15V @ 4A
MTC-353-0512	350	+5V @ 45A	+12V @ 6A	-12V @ 6A
MTC-353-0515	350	+5V @ 45A	+15V @ 5A	-15V @ 5A

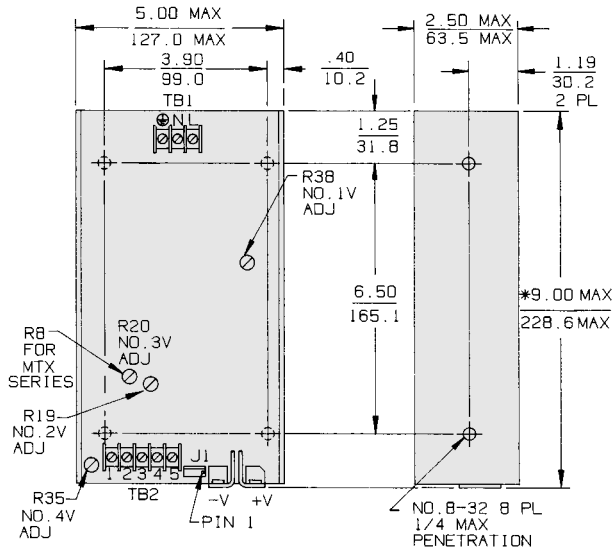
### MASS STORAGE MSC SERIES

MODEL	PWR	OUTPUT #1	OUTPUT #2	OUTPUT #3
MSC-353-0512	350	+5V @ 30A	+12V @ 20/2 A pk	-12V @ 4A

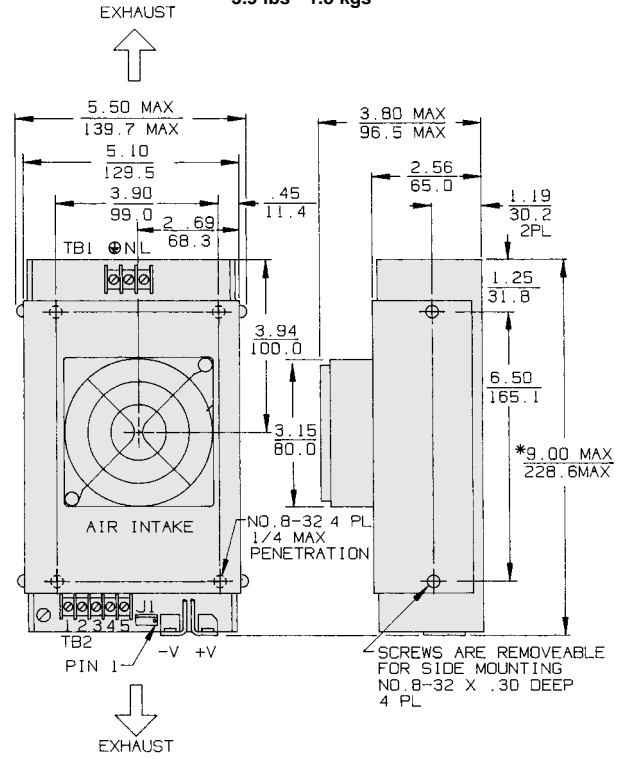
### SMALL COMPUTER MTX SERIES

MODEL	PWR	OUTPUT #1	OUTPUT #2	OUTPUT #3	OUTPUT #4
MTX-253-0512	250	+5V @ 35A	+12V @ 8/12A pk	-12V @ 2A	
MTX-254-1205	250	+5V @ 35A	+12V @ 8/12A pk	-12V @ 2A	+5V @ 1.5A
MTX-254-1212	250	+5V @ 35A	+12V @ 8/12A pk	-12V @ 2A	+12V @ 2A

**MAX, MSC, MTC, MTX**  
3.4 lbs - 1.5 kgs



**MAX, MSC, MTC, MTX with Option F**  
3.9 lbs - 1.8 kgs



Dimensions: Inches  
Millimeters

\*9.05  
229.87  
for MTX

**SPECIFICATIONS: ALL MODELS**

**INPUT**

**AC Input:** 90-132 Vac/180-264 Vac, 47 to 63 Hz. User selectable. See option "A" for automatic line selection. Internally fused for 10 A.

**Inrush:** Cold start AC current is less than 10 A at 115 Vac and 18 A at 230 Vac. For MTX models, 10 A at 115 Vac and 20 A at 230 Vac. Limited by thermistor.

**Holdup Time:** 16 ms minimum after removal of power, at nominal line, full load.

**Efficiency:** 80% typical.

**Brownout Protection:** Holds regulation to 85 Vac or 170 Vac.

**OUTPUT**

**Adjustability:** User adjustable  $\pm 5\%$  minimum.

**Line & Load Reg:**  $\pm 1\%$  over AC input range and 0 to 100% load change. Output #1 requires minimum load of 10%.

**Ripple & Noise:** Less than 1% p-p or 100 mV, whichever is greater.

**Remote Sense (Output #1):** Compensates for 250 mV total line drop. Open sense lead protection.

**Temperature Coefficient:** 0.02% per degree C.

**Stability:** 0.1% over 8 hours after 30 minutes warm-up.

**Transient Response (Output #1):** Output voltage returns to within 1% in less than 500  $\mu$ s for a 50% load change. Peak transient does not exceed 5%.

**Overload Protection:** All outputs are protected against overload and short circuit. Automatic recovery upon removal of fault.

**Overvoltage Protection (Output #1):** Protects load against power supply induced overvoltage. Trip point is factory set so that output voltage cannot exceed 136% of nominal.

**Remote Inhibit:** Contact closure to the negative sense line drops output power to nominal zero.

**Reverse Voltage:** Protected against reverse voltage up to supply current rating.

**ENVIRONMENTAL**

**Thermal Protection:** Shuts down power supply if overheated. Automatic recovery.

**Temperature Range:** 0° to 50°C at full ratings. Derate to half power at 70°C.

**Safety Agencies:** Most models are approved to UL1950; CSA 22.2 #234; IEC 950 and TÜV EN60950, Class 1 SELV., CE 72/23/EEC/93/68EEC (low voltage directive).

**Conducted RFI:** Meets FCC Part 15, Subpart J, Class A; EN55022 Class B; CISPR 22 Class B.

**Cooling:** 30 CFM required to achieve full ratings.

**Output Isolation:** Isolated from ground 50 Vdc.

**OPTIONS:**

**Option "A", AC Auto-Range:** Automatically selects proper AC line voltage range to enable power operation at either 115 or 230 Vac without user intervention.

**Option "C", Cover:** Limits contact with power supply interior.

**Option "F", Fan/Cover Assembly:** Cover with integral ball-bearing fan provides proper cooling to achieve full ratings at 50°C ambient temperature.

**Option "G", DC Power Good:** Provides a TTL "1" open collector when output #1 is above 4.6 V nominal. Not available if option "P" is selected.

**Option "P", AC Power Fail:** Provides TTL "0" 5 ms before output voltage goes out of regulation band upon loss of AC power. VMEbus compatible, provides 48 mA sink current capability. Not available if option "G" is selected.

**Option "V", Fan/Cover Assembly:** Low profile, end venting cover with integral ball-bearing fan.

Consult factory for other available options.

**AC INPUT**

FUNCTION	115 VAC	230 VAC	CONNECTOR
Input Select	Short	Open	0.187 Male Fastons
TB1- (L)	Line	Line 1	Barrier strip
TB1- (N)	Neutral	Line 2	#6-32 screws
TB1- (G)	Safety Ground	Safety Ground	3/8" centers

**DC OUTPUT**

FUNCTION	MAX, MTC, MTX	MSC	CONNECTOR
Output #1	Terminal marked +V		Bus bars
	Terminal marked COM		#10/32 screws
Output #2	TB2-3 (+)	TB2-2 (+)	Barrier strip
	TB2-4 Rtn (Common)	TB2-1 Rtn (Common)	
Output #3	TB2-5 (-)	TB2-3(-)	#6-32 screws
	TB2-4 Rtn (Common)	TB2-1 Rtn (Common)	
Output #4* (If provided)	TB2-1 (+)		3/8" centers
	TB2-2 (-)		

\*Rtn connected to common only if output is polarized in product selection chart

**STATUS AND CONTROL**

FUNCTION	LOCATION	NOTES	CONNECTOR
Remote Sense	J1-1(+ S)	Output #1 Sense	AMP MTA type #640456-4 pin header (locking)
	J1-2 (- S)	Output #1 Sense Rtn	
AC Power Fail or DC Power Good*	J1-3 (PF)	Reference to J1-2	
Inhibit	J1-4 (IH)	Short to J1-2	

\*Optional function